

Smart choice for power

xantrex

**XDL 35-5T
XDL 35-5TP**

Operating Manual

**XDL Series Digital
Programmable
Single Output DC
Power Supply**

www.xantrex.com

About Xantrex

Xantrex Technology Inc. is a world-leading supplier of advanced power electronics and controls with products from 50 watt mobile units to one MW utility-scale systems for wind, solar, batteries, fuel cells, microturbines, and backup power applications in both grid-connected and stand-alone systems. Xantrex products include inverters, battery chargers, programmable power supplies, and variable speed drives that convert, supply, control, clean, and distribute electrical power.

Trademarks

XDL series is a trademark of Xantrex International. Xantrex is a registered trademark of Xantrex International.

Other trademarks, registered trademarks, and product names are the property of their respective owners and are used herein for identification purposes only.

Notice of Copyright

© Xantrex International. All rights reserved.

Disclaimer

UNLESS SPECIFICALLY AGREED TO IN WRITING, XANTREX TECHNOLOGY INC.
("XANTREX")

- (a) MAKES NO WARRANTY AS TO THE ACCURACY, SUFFICIENCY OR SUITABILITY OF ANY TECHNICAL OR OTHER INFORMATION PROVIDED IN ITS MANUALS OR OTHER DOCUMENTATION.
- (b) ASSUMES NO RESPONSIBILITY OR LIABILITY FOR LOSS OR DAMAGE, WHETHER DIRECT, INDIRECT, CONSEQUENTIAL OR INCIDENTAL, WHICH MIGHT ARISE OUT OF THE USE OF SUCH INFORMATION. THE USE OF ANY SUCH INFORMATION WILL BE ENTIRELY AT THE USER'S RISK.

Date and Revision

May 2004 - Revision 2

Part Number

975-0108-01-02

Contact Information

Telephone: 1-800-670-0707 (toll free in North America)

1-360-925-5097 (direct)

Fax: 1-360-925-5143

Email: Customerservice@xantrex.com

Web: www.xantrex.com

Table of Contents

| | |
|--|-----|
| Introduction | 4 |
| Specification | 6 |
| EMC | 9 |
| Safety | 10 |
| Installation | 11 |
| Connections | 12 |
| Initial Operation | 14 |
| Manual Operation | 17 |
| Remote Operation (XDL 35-5TP only) | 27 |
| Remote Commands | 36 |
| Maintenance | 40 |
| Calibration | 40 |
| Instructions en Francais | |
| Sécurité | 41 |
| Installation | 42 |
| Connexions | 43 |
| Utilisation initiale | 45 |
| Fonctionnement manuel | 48 |
| Fonctionnement à distance (XDL 35-5TP seulement) | 59 |
| Commandes à distance | 69 |
| Maintenance | 73 |
| Bedienungsanleitung auf Deutsch | |
| Sicherheit | 74 |
| Vorbereitung des Geräts | 75 |
| Anschlüsse | 76 |
| Erstmalige Inbetriebnahme | 78 |
| Manueller Betrieb | 81 |
| Fernbedienung (nur XDL 35-5TP) | 92 |
| Fernbedienungsbefehle | 102 |
| Wartung | 106 |

Istruzioni in Italiano

| | |
|---|-----|
| Sicurezza | 107 |
| Installazione | 108 |
| Collegamenti | 110 |
| Primo utilizzo | 112 |
| Funzionamento in manuale | 115 |
| Funzionamento remoto (solo per il XDL 35-5TP) | 126 |
| Comandi remoti | 136 |
| Manutenzione | 141 |

Instrucciones en Español

| | |
|---|-----|
| Seguridad | 142 |
| Instalación | 143 |
| Conexiones | 144 |
| Funcionamiento inicial | 146 |
| Funcionamiento manual | 149 |
| Funcionamiento Remoto (sólo XDL 35-5TP) | 160 |
| Comandos Remotos | 170 |
| Mantenimiento | 175 |
| Warranty Information | 176 |

Unmatched Precision, Unrivalled Performance

The XDL series represents the 'next generation' of laboratory power supplies offering an unparalleled level of precision.

Voltage and current are controlled using 16 bit DACs enabling voltages to be set to 1mV resolution even at full output. Indeed, the accuracy is sufficient for the PSU to be used as a calibration source for some hand-held DMMs.

The XDL series uses pure linear technology and offers unrivalled performance in terms of regulation, output noise and dynamics. Line and load regulation are close to the limit of measurement. Output noise is less than 350 μ V rms in CV mode and down to 20 μ A rms in CI mode. Recovery time from transient current pulses is better than 50 μ s.

The XDL series provides full remote sense capability via dedicated sense terminals. Remote sense is essential to maintain precise regulation at the load (two 0.02 Ω connection leads will drop 200mV at 5 Amps). When remote sense is not required, internal local sensing can be selected at the touch of a button.

Multiple Ranges for Greater Flexibility

The XDL series provides multiple ranges for increased current capability at lower voltages. The main range offers 0 to 35 volts at up to 3 Amps. The higher current range provides up to 5 Amps for voltages up to 15V. A further low current range provides enhanced current setting and measurement resolution of 0.1mA.

The product of voltage and current can be displayed at any time by pressing the VxA button. The power is displayed to a resolution of 0.01 Watts.

Fast, Simple and Safe to use

The user interface of the XDL series has been carefully designed to provide rapid control whilst guarding against any possibility of error.

Voltage and current setting can be performed either by direct numeric entry or, for applications where the voltage or current must be gradually changed, by using the quasi-analogue Jog control.

To enable the current limit to be set before connecting the load, the limit setting is displayed when the output is off. Pressing the View Limits key at any time provides a temporary display of the limit values allowing precise adjustment to also be made with the output on.

Setting Memories for Added Convenience

The XDL series provides storage of up to 10 power supply sets-ups in non-volatile memory for each main output, plus a further 10 set-ups for linked mode operation. Upon mains switch-off, the set-up of the PSU is saved and is automatically restored at switch-on.

OVP and OCP Trips with 'Alarm' Output

The XDL series provides fully adjustable over-voltage and over-current trips which can be used both as a fail-safe against accidental mis-setting and as a protection against inappropriate load conditions. In addition to turning the output off, a trip condition switches the rear panel alarm signal enabling other equipment to be controlled.

For complete protection of the power supply, the trip will also be operated by over-temperature or excess voltage on the sense terminals.

Fully Programmable via GPIB, RS232 or USB

The XDL 35-5TP incorporates a full bus interface permitting remote control and readback via either GPIB (IEEE-488), RS232 or USB.

The GPIB interface conforms fully with IEEE-488.2 and IEEE-488.1.

The serial interface can be used as a conventional RS232 interface or as part of a multi-instrument addressable RS232 chain.

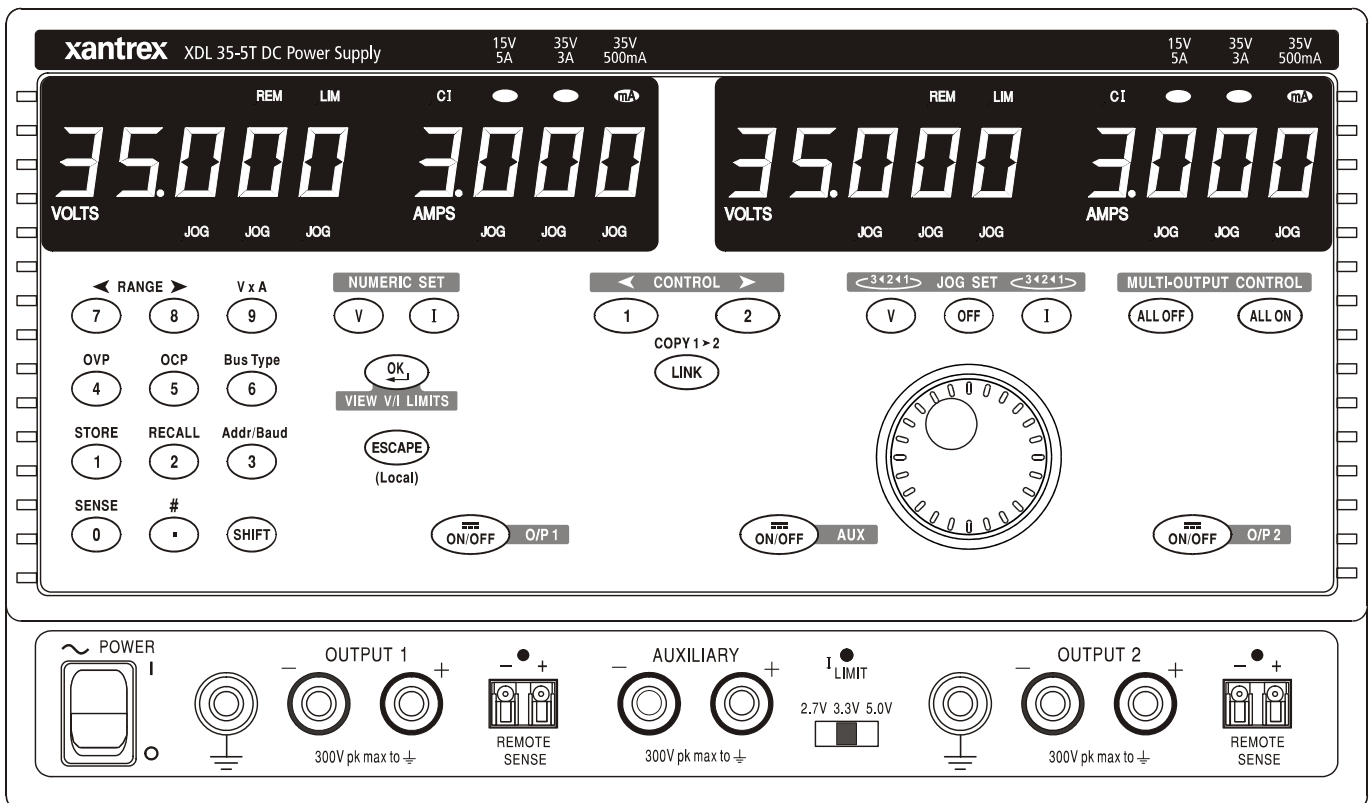
USB represents the future for medium speed PC connectivity. By adding USB hubs, multiple devices can be connected. A Windows device driver is supplied which creates a virtual COM port, enabling USB to be used with applications that do not directly support it.

XDL series supplies use simple and consistent command structures which make programming particularly easy regardless of which interface is used.

A National Instruments LabWindows* device driver is available.

All power supply settings can be controlled via the bus. Voltage and current can be set to a resolution of 1mV or 0.1mA. Actual voltage and current can be read back together with the power supply status.

* LabWindows is a trademark of National Instruments Corp.



Specification

General specifications apply for the temperature range 5°C to 40°C. Accuracy specifications apply for the temperature range 18°C to 28°C after 1 hour warm-up with no load and calibration at 23°C. Typical specifications are determined by design and are not guaranteed.

MAIN OUTPUTS

| Voltage/Current Ranges: | The 3 operating ranges are: 0V to 35V/0.001A to 3A 0V to 35V/0.1mA to 500mA 0V to 15V/0.001A to 5A | | | | | | | | | | | | | | | | | | | | | | | | | | | | |
|-------------------------------------|---|------------------|----------------|------------------|----------------|----|--------|-----|-----|----|--------|------|-----|----|-----------|-------|------|------|--------|-----|-------|------|--------|------|-------|------|-----------|-------|-------|
| Voltage Setting: | Resolution 1mV Accuracy $\pm (0.03\% + 5\text{mV})$ | | | | | | | | | | | | | | | | | | | | | | | | | | | | |
| Current Setting: | Resolution 1mA; 0.1mA on 500mA range Accuracy $\pm (0.2\% + 5\text{mA})$; $\pm (0.2\% + 0.5\text{mA})$ on 500mA range. | | | | | | | | | | | | | | | | | | | | | | | | | | | | |
| Output Mode: | Constant voltage or constant current with automatic cross-over. CI indicator lit in constant current mode. | | | | | | | | | | | | | | | | | | | | | | | | | | | | |
| Output Switch: | Electronic, non isolating. Switch illuminated when Output on. Preset voltage and current limit displayed when Output off. | | | | | | | | | | | | | | | | | | | | | | | | | | | | |
| Output Terminals: | 4mm terminals on 19mm (0.75") spacing for Output; screwless terminals for Sense. Duplicate rear panel Output and Sense screw terminals on remote control model (XDL 35-5TP). | | | | | | | | | | | | | | | | | | | | | | | | | | | | |
| Transient Response: | <50 μs to within 15mV of set level for a change in load current from full load to half load or vice versa. | | | | | | | | | | | | | | | | | | | | | | | | | | | | |
| Voltage Programming Speed: | Maximum time required for output to settle within 1% of its total excursion (for resistive load). Excludes command processing time. | | | | | | | | | | | | | | | | | | | | | | | | | | | | |
| | <table border="0"> <thead> <tr> <th></th> <th></th> <th><i>Full Load</i></th> <th><i>No Load</i></th> </tr> </thead> <tbody> <tr> <td>Up</td> <td>15V 5A</td> <td>6ms</td> <td>6ms</td> </tr> <tr> <td>Up</td> <td>35V 3A</td> <td>20ms</td> <td>7ms</td> </tr> <tr> <td>Up</td> <td>35V 500mA</td> <td>200ms</td> <td>40ms</td> </tr> <tr> <td>Down</td> <td>15V 5A</td> <td>6ms</td> <td>250ms</td> </tr> <tr> <td>Down</td> <td>35V 3A</td> <td>25ms</td> <td>600ms</td> </tr> <tr> <td>Down</td> <td>35V 500mA</td> <td>120ms</td> <td>600ms</td> </tr> </tbody> </table> | | | <i>Full Load</i> | <i>No Load</i> | Up | 15V 5A | 6ms | 6ms | Up | 35V 3A | 20ms | 7ms | Up | 35V 500mA | 200ms | 40ms | Down | 15V 5A | 6ms | 250ms | Down | 35V 3A | 25ms | 600ms | Down | 35V 500mA | 120ms | 600ms |
| | | <i>Full Load</i> | <i>No Load</i> | | | | | | | | | | | | | | | | | | | | | | | | | | |
| Up | 15V 5A | 6ms | 6ms | | | | | | | | | | | | | | | | | | | | | | | | | | |
| Up | 35V 3A | 20ms | 7ms | | | | | | | | | | | | | | | | | | | | | | | | | | |
| Up | 35V 500mA | 200ms | 40ms | | | | | | | | | | | | | | | | | | | | | | | | | | |
| Down | 15V 5A | 6ms | 250ms | | | | | | | | | | | | | | | | | | | | | | | | | | |
| Down | 35V 3A | 25ms | 600ms | | | | | | | | | | | | | | | | | | | | | | | | | | |
| Down | 35V 500mA | 120ms | 600ms | | | | | | | | | | | | | | | | | | | | | | | | | | |
| Ripple and Noise (20MHz bandwidth): | Normal mode voltage: <0.35mVrms and 2mVp-p Normal mode current: <0.2mA _{rms} ; <20 μA _{rms} on 500mA range. | | | | | | | | | | | | | | | | | | | | | | | | | | | | |
| Load Regulation: | For any load change, measured at the output terminals, using remote sense. Voltage <0.01% + 2mV. Current <0.01% + 250 μA ; <0.01% + 50 μA on 500mA range. Add typically 2.5mV for a 0.5V drop in the positive output lead. Specification applies for sense lead resistance <0.5 Ω . | | | | | | | | | | | | | | | | | | | | | | | | | | | | |
| Line Regulation: | Voltage <0.01% + 2mV for 10% line change. Current <0.01% + 250 μA ; <0.01% + 50 μA on 500mA range. | | | | | | | | | | | | | | | | | | | | | | | | | | | | |
| Temperature Coefficient: | Voltage: typically <(50ppm + 0.5mV)/°C Current: typically <(100ppm + 1mA)/°C; (100ppm + 0.1mA)/°C on 500mA range. | | | | | | | | | | | | | | | | | | | | | | | | | | | | |
| Output Protection: | Output will withstand forward voltages of up to 20V above rated output voltage. Reverse protection by diode clamp for currents up to 3A. | | | | | | | | | | | | | | | | | | | | | | | | | | | | |
| Over-voltage Protection: (OVP) | Range 1V to 40V Resolution 0.1V; accuracy $\pm (2\% + 0.5\text{V})$ Response time typically 100 μs | | | | | | | | | | | | | | | | | | | | | | | | | | | | |

| | |
|-----------------------------------|---|
| Over-current Protection: (OCP) | Range 0.01A to 5.5A Resolution 0.01A; accuracy $\pm (0.2\% + 0.01A)$ Response time typically 35ms |
| Protection Functions: | Output trips off for OVP, OCP, over-temperature and Sense miswiring. |

METER SPECIFICATIONS (Main Outputs)

| | |
|--------------------|--|
| Display Type: | 5-digit (Volts), 4-digit (Amps), 14mm (0.56") LED. |
| Voltage (CI mode): | Resolution 10mV Accuracy $\pm (0.1\% \text{ of reading} + 10\text{mV})$ |
| Current (CV mode): | Resolution 0.001A; 0.1mA on 500mA range Accuracy $\pm (0.2\% + 0.005A)$; $\pm (0.2\% + 0.5\text{mA})$ on 500mA range |
| V x A: | Resolution 0.01W; 0.001W on 500mA range Accuracy $\pm (0.3\% + 0.05W)$; $\pm (0.3\% + 0.005W)$ on 500mA range |

AUXILIARY OUTPUT

| | |
|--------------------------------------|--|
| Voltage: | 2.7V, 3.3V or 5V, selectable by front panel switch. |
| Voltage Accuracy: | $\pm 5\%$ |
| Current Limit: | 1A minimum |
| Output Protection: | Output will withstand up to 16V forward voltage. Diode clamp reverse protection for currents up to 3A. |
| Output Terminals: | 4mm terminals on 19mm (0.75") spacing. Duplicate screwless terminals on rear panel. |
| Ripple & Noise: (20MHz bandwidth) | Typically <1mV rms |
| Load & Line Regulation: | <1.0% for a 90% load change; 0.1% for a 10% line change. |
| Status Indication: | Current limit lamp. |

ALARM OUTPUT

Isolated rear-panel open-collector output signal. User can select output to be activated for either OVP, OCP, Overtemperature or Sense miswiring, or for any of those four faults.

KEYBOARD & ROTARY CONTROL

All functions, including the selection and set-up of the remote control interfaces, can be set from the keyboard. The rotary jog control can be used to adjust output voltage and current settings in a quasi-analogue mode.

INTERFACES (XDL 35-5TP only)

Full remote control facilities are available through the optional RS232, GPIB and USB interfaces. Setting and readback resolutions are the same as for the Output and Meter specifications respectively.

| | |
|---------------------------------|--|
| RS232: | Variable Baud rate, 19200 Baud maximum. 9-pin D-connector. Single instrument or addressable RS232 chain operation. |
| IEEE-488: | Conforming with IEEE488.1 and IEEE488.2 |
| USB: | Standard USB hardware connection. |
| Remote Command Processing Time: | Typically <80ms between receiving the command terminator for a step voltage change at the instrument and the output voltage beginning to change. |

GENERAL

| | |
|--------------------|--|
| AC Input: | 230V AC or 115V AC \pm 10%, 50/60Hz Installation Category II |
| Power Consumption: | 500VA max. |
| Operating Range: | +5°C to +40°C, 20% to 80% RH |
| Storage Range: | -40°C to + 70°C |
| Environmental: | Indoor use at altitudes up to 2000m, Pollution Degree 2. |
| Cooling: | Intelligent variable-speed fan. Over-temperature trip shuts down output if internal temperatures exceed predetermined thresholds. |
| Store/Recall: | Up to 10 set-ups can be saved and recalled via the keyboard or remote interfaces. |
| Safety: | Complies with EN61010-1 |
| EMC: | Complies with EN61326 |
| Size: | 280 x 160 x 290mm (WxHxD), excluding feet and terminals. |
| Weight: | 10.5kg |

This instrument has been designed to meet the requirements of the EMC Directive 89/336/EEC.

Compliance was demonstrated by meeting the test limits of the following standards:

Emissions

EN61326 (1998) EMC product standard for Electrical Equipment for Measurement, Control and Laboratory Use. Test limits used were:

- a) Radiated: Class B
- b) Conducted: Class B
- c) Harmonics: EN61000-3-2 (2000) Class A; the instrument is Class A by product category.

Immunity

EN61326 (1998) EMC product standard for Electrical Equipment for Measurement, Control and Laboratory Use.

Test methods, limits and performance achieved were:

- a) EN61000-4-2 (1995) Electrostatic Discharge : 4kV air, 4kV contact, Performance A.
- b) EN61000-4-3 (1997) Electromagnetic Field, 3V/m, 80% AM at 1kHz, Performance B.
- c) EN61000-4-11 (1994) Voltage Interrupt, 1 cycle, 100%, Performance B.
- d) EN61000-4-4 (1995) Fast Transient, 1kV peak (AC line), 0-5kV peak (DC Outputs), Performance B.
- e) EN61000-4-5 (1995) Surge, 0-5kV (line to line), 1kV (line to ground), Performance B.
- f) EN61000-4-6 (1996) Conducted RF, 3V, 80% AM at 1kHz (AC line only; DC Output connections <3m not tested), Performance B.

According to EN61326 the definitions of performance criteria are:

Performance criterion A: 'During test normal performance within the specification limits.'

Performance criterion B: 'During test, temporary degradation, or loss of function or performance which is self-recovering'.

Performance criterion C: 'During test, temporary degradation, or loss of function or performance which requires operator intervention or system reset occurs.'

Where Performance B is stated it is because DC Output regulation may deviate beyond Specification limits under the test conditions. However, the possible deviations are still small and unlikely to be a problem in practice.

Note that if operation in a high RF field is unavoidable it is good practice to connect the PSU to the target system using screened leads which have been passed (together) through an absorbing ferrite sleeve fitted close to the PSU terminals.

Cautions

To ensure continued compliance with the EMC directive observe the following precautions:

- a) after opening the case for any reason ensure that all signal and ground connections are remade correctly and that case screws are correctly refitted and tightened.
- b) In the event of part replacement becoming necessary, only use components of an identical type, see the Service Manual.

Safety

This power supply is a Safety Class I instrument according to IEC classification and has been designed to meet the requirements of EN61010-1 (Safety Requirements for Electrical Equipment for Measurement, Control and Laboratory Use). It is an Installation Category II instrument intended for operation from a normal single phase supply.

This instrument has been tested in accordance with EN61010-1 and has been supplied in a safe condition. This instruction manual contains some information and warnings which have to be followed by the user to ensure safe operation and to retain the instrument in a safe condition.

This instrument has been designed for indoor use in a Pollution Degree 2 environment in the temperature range 5°C to 40°C, 20% - 80% RH (non-condensing). It may occasionally be subjected to temperatures between +5°C and -10°C without degradation of its safety. Do not operate while condensation is present.

Use of this instrument in a manner not specified by these instructions may impair the safety protection provided. Do not operate the instrument outside its rated supply voltages or environmental range.

WARNING! THIS INSTRUMENT MUST BE EARTHED

Any interruption of the mains earth conductor inside or outside the instrument will make the instrument dangerous. Intentional interruption is prohibited. The protective action must not be negated by the use of an extension cord without a protective conductor.

When the instrument is connected to its supply, terminals may be live and opening the covers or removal of parts (except those to which access can be gained by hand) is likely to expose live parts. The apparatus shall be disconnected from all voltage sources before it is opened for any adjustment, replacement, maintenance or repair.

Capacitors inside the power supply may still be charged even if the power supply has been disconnected from all voltage sources but will be safely discharged about 10 minutes after switching off power.






Any adjustment, maintenance and repair of the opened instrument under voltage shall be avoided as far as possible and, if inevitable, shall be carried out only by a skilled person who is aware of the hazard involved.

If the instrument is clearly defective, has been subject to mechanical damage, excessive moisture or chemical corrosion the safety protection may be impaired and the apparatus should be withdrawn from use and returned for checking and repair.

Make sure that only fuses with the required rated current and of the specified type are used for replacement. The use of makeshift fuses and the short-circuiting of fuse holders is prohibited.

Do not wet the instrument when cleaning it.

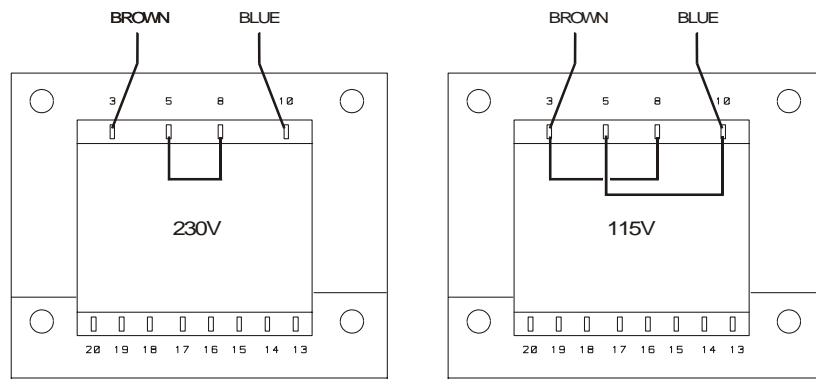
The following symbols are used on the instrument and in this manual:-

| | |
|---|--------------------------|
|  | Earth (ground) terminal. |
|  | mains supply OFF. |
|  | mains supply ON. |
|  | alternating current (ac) |
|  | direct current (dc) |

Installation

Check that the instrument operating voltage marked on the rear panel is suitable for the local supply. Should it be necessary to change the operating voltage, proceed as follows:

- 1) Disconnect the instrument from all voltage sources.
- 2) Remove the screws which retain the top cover and lift off the cover.
- 3) Change the connections on both transformers following the appropriate diagram below:



- 4) Refit the cover and secure with the same screws.
- 5) To comply with safety standard requirements the operating voltage marked on the rear panel must be changed to clearly show the new voltage setting.
- 6) Change the fuse to one of the correct rating, see below.

Fuse

The AC fuse is located in the fuse drawer in the lower part of the IEC inlet connector. To change the fuse remove the line cord and open the fuse drawer with a suitable tool.

The correct mains fuse type is 20 x 5mm 250V HBC time-lag with the following rating:

| | |
|---------------------|-----------------|
| for 230V operation: | 4A (T) 250V HBC |
| for 115V operation: | 8A (T) 250V HBC |

Make sure that only fuses with the required current rating and of the specified type are used for replacement. The use of makeshift fuses and the short-circuiting of fuseholders are prohibited.

Mains Lead

When a three core mains lead with bare ends is provided it should be connected as follows:-

| | | |
|-----------------------|---|----------------------|
| Brown | - | Mains Live |
| Blue | - | Mains Neutral |
| Green / Yellow | - | Mains Earth |

WARNING! THIS INSTRUMENT MUST BE EARTHED

Any interruption of the mains earth conductor inside or outside the instrument will make the instrument dangerous. Intentional interruption is prohibited. The protective action must not be negated by the use of an extension cord without a protective conductor.

Mounting

This instrument is suitable both for bench use and rack mounting. It is delivered with feet for bench mounting. The front feet include a tilt mechanism for optimal panel angle.

A rack kit for mounting XDL Series power supplies is available from the Manufacturers or their overseas agents. The rack will accommodate 1, 2 or 3 single units or a triple and single unit; a blanking piece is also available for unused positions in the rack.


Ventilation

The power supply is cooled by an intelligent multi-speed fan which vents at the rear. Take care not to restrict the air inlets at the side panels or the exit at the rear. In rack-mounted situations allow adequate space around the instrument and/or use a fan tray for forced cooling.

Front Panel Connections

The loads should be connected to the positive (red) and negative (black) terminals marked OUTPUT 1, OUTPUT 2, or AUXILIARY.

Remote sense connections to the loads on Outputs 1 or 2, if required, are made from the corresponding positive (+) and negative (–) REMOTE SENSE terminals. Remote sense operation is selected from the keyboard or via a remote control interface (XDL 35-5TP only); the REMOTE SENSE lamp is lit when remote sense is selected. Switching off remote sense returns the instrument to local sensing at the output terminals.

The terminal marked  is connected to the chassis and safety earth ground.

Rear Panel Connections

Auxiliary Output Terminals

The front panel AUXILIARY OUTPUT terminals are duplicated on the rear panel with screwless terminals marked AUXILIARY OUTPUT.

Main Output Terminals (XDL 35-5TP only)

The output and sense terminals are duplicated on the rear panel screw-terminal block marked Output +, Output –, Sense + and Sense – ; these connections are paralleled with their front panel equivalents.

Remote sense operation is selected from the keyboard or via a remote control interface. When the rear panel terminals are used, remote sense should always be selected to ensure that output regulation is maintained within specification.

RS232 (XDL 35-5TP only)

9-pin D-connector compatible with addressable RS232 use. The pin connections are shown below:

| Pin | Name | Description |
|-----|------|----------------------------------|
| 1 | – | No internal connection |
| 2 | TXD | Transmitted data from instrument |
| 3 | RXD | Received data to instrument |
| 4 | – | No internal connection |
| 5 | GND | Signal ground |
| 6 | – | No internal connection |
| 7 | RXD2 | Secondary received data |
| 8 | TXD2 | Secondary transmitted data |
| 9 | GND | Signal ground |

Pin 2, 3 and 5 may be used as a conventional RS232 interface with XON/XOFF handshaking. Pins 7, 8 and 9 are additionally used when the instrument is used in addressable RS232 mode. Signal grounds are connected to instrument ground. The RS232 address is set from the keyboard.

GPIB (XDL 35-5TP only)

The GPIB interface is not isolated; the GPIB signal grounds are connected to the instrument ground.

The implemented subsets are:

SH1 AH1 T6 TE0 L4 LE0 SR1 RL1 PP1 DC1 DT1 C0 E2

The GPIB address is set from the keyboard.

USB (XDL 35-5TP only)

The USB port is connected to instrument ground. It accepts a standard USB cable. The Windows plug-and-play functions should automatically recognise that the instrument has been connected.

Alarm Outputs

Associated with each main output are recessed 2-pin connectors marked Alarm. These provide access to an opto-isolated NPN switching transistor, the function of which can be set from the keyboard, see the Alarms section of this manual.

The maximum operating voltage that can be applied across the terminals is 20VDC and the maximum sink current for the switch 'closure' is 1mA.



Do not apply external voltages between the terminals exceeding 30VDC.

Initial Operation

This section of the manual is a general introduction to the controls and operation of the instrument and is intended to be read before using the power supply for the first time.

In this manual front panel keys, connections and display indicators are shown in capitals, e.g. STORE, ESCAPE, OUTPUT, JOG. Messages shown on the 7-segment display are printed in a different type-font, e.g. *StorE*, *GPiB*, *triP* in upper or lower case to represent the characters as they are shown on the 7-segment display.

Switching On, Output On/Off

The power switch is located at the bottom left of the front panel.

At power-up the default behaviour is for the instrument's settings to be restored to those automatically saved when it was switched off, but with all Outputs always off. However, the user can change the default setting such that selected Outputs are restored at power-up to their status at power-down, see the Extra Functions section.

The DC outputs are switched electronically with their respective ON/OFF keys; the key illuminates when the output is on. In addition, all outputs can be switched on and off together using the ALL ON and ALL OFF keys.

Synchronous Output On/Off Switching

Pressing ALL OFF at any time will synchronously turn off any outputs that are on; under the same load conditions outputs will typically turn off within 1ms of each other. With all outputs off the ALL OFF key is illuminated green. Pressing the ALL ON key when all the outputs are off will turn all the outputs on synchronously; outputs with identical settings and load conditions will typically turn on within 1ms of each other. However, if one output is already on, pressing ALL ON will turn the remaining outputs on but the turn-on delay between the outputs will be up to 80ms, even with the same output setting and load conditions.

Keypad

Only the principles of operation are outlined here; the setting of individual parameters is given in detail in later sections.

The paramount consideration in designing the user interface has been to make changing settings as 'safe' as possible (i.e. with minimal risk of accidentally applying excessive voltages to a target system) whilst achieving ease of use. This has been achieved by requiring the user to confirm (OK) new numeric settings, with the option to ESCAPE at any point or even to simply pause until the operation times-out and the instrument returns to its original settings.

In addition a buzzer, illuminated keys, LED indicators and display messages prompt, guide or warn the user such that entry or control errors are minimised. Where some of these features (e.g. beeps or flashing indicators) are considered unnecessary by regular users, the option exists to disable them, see the Extra Functions section.

The ability to change settings from the keypad or by using the Jog controls is assigned to Output 1, Output 2 or both by using the 1, 2 or LINK ◀ CONTROL ▶ keys respectively. The key (1 or 2) associated with the selected output illuminates to show which output is under control. In LINK mode (both keys lit) both outputs are controlled at the same time, including some of the shifted operations (RANGE, STORE, RECALL and V x A). The further descriptions that follow apply to either or both main outputs as appropriate to the setting indicated by the illumination of the ◀ CONTROL ▶ keys.

Under normal conditions the numeric keypad is disabled; pressing any key will cause the buzzer to make a double beep, indicating an illegal operation. To set a voltage or current with the keypad press the V or I NUMERIC SET key; the appropriate display shows 0.000V or 0.000A with the digit to the left of the decimal point flashing. Digits are entered in response to the flashing prompt, together with the decimal point at the appropriate time, and the entry is confirmed with the OK key. If OK is not pressed within 10 seconds of the last numeric key the entry is cancelled and the display returns to its original setting. If ESCAPE is pressed anywhere in the entry procedure, entry is cancelled and the display returns to its original setting.

The OK key is used to confirm most keypad entries. At all other times it becomes the VIEW V/I LIMITS key and pressing it will cause the display to show preset output voltage and current limit for 3 seconds; during this period the LIM indicator in the display flashes.

Pressing SHIFT illuminates the key and gives the numeric keys the functions marked above them (e.g. STORE, RECALL, etc.). When a function is selected by pressing one of these keys SHIFT is cancelled (the SHIFT key is no longer lit). The further key presses required to complete the selected function are described in detail in the sections that follow; if no key is pressed within 10 seconds to complete the function, the function will terminate as if ESCAPE has been pressed. SHIFT is a toggle key; pressing SHIFT again when it has been selected will cancel SHIFT. SHIFT is also cancelled by ESCAPE, or by pressing SET V or SET I. Note that in LINK mode settings accessed by STORE and RECALL are specific to the LINK mode and are in addition to settings accessible when STORE and RECALL are used on individually selected outputs.

Jog Control

The rotary 'jog' control permits the output voltage or current limit to be incremented or decremented in steps with a resolution set by the JOG SET keys; the output immediately follows the setting, i.e. no OK is required.

At power-up jog is always off. To jog the voltage or current setting press the V or I JOG SET key; the key will illuminate and the JOG indicator under the digit that was last jogged will flash. Whilst the V or I JOG SET key is lit, each further press of the V or I key moves the JOG indicator one digit to the left; the selection 'wraps-round' such that when the largest value of jog increment has been reached the next press returns it to the lowest. The default position at power-up is under the LSD, i.e. the lowest jog increment is selected.

Turning the rotary jog control clockwise/anti-clockwise increments/decrements the selected digit; digits to the left of the one being jogged are automatically incremented/decremented when the decade overflow/underflow point is reached. Digits to the right of the one being jogged remain unchanged unless the jog step overflows/underflows the range maximum/minimum in which case they are set to zero. For example, 33.65V goes to 34.65V goes to 35.00V for the 35V range and a 1V jog increment; 0.160A goes to 0.060A goes to 0.001A for a 0.1A jog decrement.

The jog steps that can be selected are 1mV, 10mV, 100mV and 1mA, 10mA, 100mA; if the 35V/500mA range has been selected the current increment steps are 0.1mA, 1mA, 10mA.

To disable the jog rotary control press the JOG SET OFF key; reselecting JOG SET V or I will enable jog on the last used digit position. Jog is not cancelled by using numeric entry or any of the SHIFT functions but it is disabled whilst that function is enabled.

When in constant voltage mode with the output on the right-hand display will show actual current rather than current limit. If JOG SET I is selected the JOG indicator under the selected digit will flash at half-speed ('lazy' flash). To observe the effect of jogging the current limit it will be necessary to either turn the output off (so that the display permanently shows the current limit) or to press VIEW V/I LIMITS which causes the current limit to be displayed until 3 seconds after movement of the jog control ceases. The 'lazy' flash is also used when JOG SET V has been selected and actual voltage is being shown because the supply has gone into current limit.

The factory default is to flash the JOG indicator under the selected digit for the whole time that jog is selected so that the user is constantly reminded which parameter can be incremented/decremented. Where this degree of reminding is considered inadequate the user can select, using the Extra Functions capability, to flash the digit itself; conversely, where the flashing is considered intrusive the user can select to not flash the JOG indicator (except when the 'lazy' flash is shown).

Display

The displays show the voltage on the left (5 digits) and the current on the right (4 digits) for both the main outputs. These 7-segment displays are also used to show prompts during some of the function settings (e.g. memory store/recall or remote control address setting) using the limited 'character set' that can be achieved with a 7-segment display; these are necessarily a mixture of upper and lower case letters.

Above and below the 7-segment display are several secret-until-lit annunciators. To the right, above the current display, are the indicators which show the selected operating range: 35V/3A, 15V/5A or 35V/500mA; the indicators light beneath the range printed immediately above them and, in the case of the 35V/500mA range, the indicator is marked mA to emphasise that the current display is now showing mA. The other annunciators above the displays are:

CI, indicating that the instrument is in constant current mode; LIM, which flashes when the VIEW V/I LIMITS key is pressed to show the set voltage/set current limit in the display; REM, which lights when the instrument is under control from a remote interface (XDL 35-5TP only).

Below the three least significant digits of both the voltage and current displays are the JOG indicators; the appropriate indicator flashes when the jog function is being used, see the Jog Control section above.

Main Outputs

New users should first read the Initial Operation chapter which describes the operating principles of the keypad and rotary jog control. The following paragraphs describe the independent operation of either Main Output. To select which output is to be controlled by the keypad/Jog controls it is first necessary to select that output by pressing the appropriate ◀ CONTROL ▶ key (1 or 2); the key lights to show that it is the selected output.

The additional features available in LINK mode (both Main Outputs selected) are described in the Main Outputs – Link Mode section later in this manual.

Set Voltage

The left-hand display shows the set voltage to a resolution of 1mV, except when the instrument is in constant current (CI) mode. In CI mode the actual output voltage (which will be less than the set voltage) is shown and the display resolution is 10mV; the least significant digit (1mV resolution) is always displayed as a zero.

The voltage can be set directly from the numeric keypad: press the NUMERIC SET V key, enter the new value using the numeric keys and confirm by pressing OK. The broad principles of keypad entry are explained in the Initial Operation chapter, which should be read by new users.

When SET V is pressed the display shows 0.000; a new voltage is then entered (e.g. 12.345V is entered as 1, 2, ., 3, 4, 5) and confirmed by OK. The position of the decimal point in the display is fixed to reduce the risk of entering a wrong value. As a consequence, and to avoid the need to enter leading zeroes (e.g. 2.345V is entered as 2, ., 3, 4, 5, OK), numbers to the left of the decimal point are shown slightly differently to the numbers to the right of the decimal point during number entry; this is self-evident during number entry.

The minimum voltage setting is 0.000V; the maximum setting is 35.000V (15.000V on the 15V/5A range).

Pressing OK at any point will set the voltage entered with any remaining digits set to zero, e.g. 1, 2, ., 3, OK will set 12.300V; 1, OK will set 1.000V; pressing OK immediately after SET V (while the display shows 0.000V) will set 0.000V.

Pressing ESCAPE at any time during the sequence, or making no further key press within 10 seconds of the previous one will cause the display to return to its original reading before SET V was pressed.

Entering a voltage outside the range maximum (including trying to enter 3 digits before the decimal point) or trying to enter more than 5 digits will cause the buzzer to beep twice; the last key entry will be ignored.

The voltage can also be set using the Jog control. Pressing JOG SET V will illuminate the V key and the JOG indicator under the digit that was last jogged will flash. Whilst the V key is lit, each further press will move the JOG indicator one digit to the left; the selection 'wraps round' such that when the largest value of jog increment has been reached the next press returns it to the lowest. The default position at power-up is under the LSD, i.e. the lowest jog increment is selected. The jog steps that can be selected are 1mV, 10mV and 100mV.

With jog enabled the output voltage can be incremented or decremented with the rotary jog control with a step resolution indicated by the position of the flashing JOG indicator. The output immediately follows the setting, i.e. no OK is required. If the output goes into constant current mode (indicated by the CI indicator flashing) the left-hand display shows actual voltage not set voltage. If JOG SET V is selected the JOG indicator under the selected digit will flash at half speed ('lazy' flash). To observe the effect of jogging the set voltage it will be necessary to either turn the output off (so that the display permanently shows the set voltage) or to press VIEW V/I LIMITS which causes the set voltage to be displayed until 3 seconds after movement of the jog control ceases.

Note that in constant current mode the actual voltage is measured and displayed to only 10mV resolution; the 1mV digit permanently displays zero.

Further details on the jog control can be found in the Initial Operation chapter.

Set Current Limit

With the output off, the right-hand display shows the current limit to a resolution of 1mA (0.1mA on the 35V/500mA range).

The current limit can be set directly from the numeric keypad: press the NUMERIC SET I key, enter the new value using the numeric keys and confirm by pressing OK. The broad principles of keypad entry are explained in the Initial Operation chapter, which should be read by new users.

When SET I is pressed the display shows 0.000; a new current is then entered (e.g. 1.234A is entered as 1, ., 2, 3, 4,) and confirmed by OK. The position of the decimal point in the display is fixed to reduce the risk of entering a wrong value. As a consequence, and to avoid the need to enter or display leading zeroes (e.g. 0.234A is entered as ., 2, 3, 4, OK), numbers to the left of the decimal point are shown slightly differently to the numbers to the right of the decimal point during number entry; this is self-evident during number entry.

The minimum current setting is 0.001A (0.1mA on the 500mA range); the maximum setting is 3.000A, 5.000A or 500.0mA, according to range, i.e. there is no over-range capability.

Pressing OK at any point will set the current entered with any remaining digits set to zero, e.g. 1, ., 2, OK will set 1.200A; 1, OK will set 1.000A; pressing OK immediately after SET V (while the display shows 0.000A) will set 0.001A.

Pressing ESCAPE at any time during the sequence, or making no key press within 10 seconds of the previous one will cause the display to return to its original reading before SET I was pressed.

Entering a value outside the range maximum (including trying to enter 2 digits before the decimal point) or trying to enter more than 4 digits will cause the buzzer to beep twice; the last key entry will be ignored.

The current limit can also be set using the rotary jog control. Pressing JOG SET I will illuminate the key and the JOG indicator under the digit that was last jogged will flash. Whilst the I key is lit, each further press will move the JOG indicator one digit to the left; the selection 'wraps round' such that when the largest value of jog increment has been reached the next press returns it to the lowest. The default position at power-up is under the LSD, i.e. the lowest jog increment is selected. The jog steps that can be selected are 1mA, 10mA and 100mA (0.1mA, 1mA and 10mA on the 35V/500mA range).

With jog enabled the current limit can be incremented or decremented with the rotary jog control with a step resolution indicated by the position of the flashing JOG indicator. The output immediately follows the setting, i.e. no OK is required. With the output on the right-hand display shows actual current, not current limit (except in constant current mode). If JOG SET I is selected the JOG indicator under the selected digit will flash at half speed ('lazy' flash). To observe the effect of jogging the current limit it will be necessary to either turn the output off (so that the display permanently shows the current limit) or to press VIEW V/I LIMITS which causes the current limit to be displayed until 3 seconds after movement of the jog control ceases.

Instantaneous Current Output

The current limit control can be set to limit the continuous output current to levels down to 1mA (0.1 mA on 500mA range). However, in common with all precision bench power supplies, a capacitor is connected across the output to maintain stability and good transient response. This capacitor charges to the output voltage and short-circuiting of the output will produce a current pulse as the capacitor discharges which is independent of the current limit setting.

Range Selection

The instrument has three ranges: 35V/3A, 15V/5A and 35V/500mA. The selected range is shown by an illuminated indicator below the appropriate legend at the top right-hand side of the instrument; when the 35V/500mA range is selected the indicator legend is mA to emphasise that the current meter now shows milliamps not amps.

To change range press SHIFT followed by ◀ RANGE or RANGE ▶; each press of ◀ RANGE selects the next range to the left; each press of RANGE ▶ selects the next range to the right; there is no 'wrap-round'. When the range is changed the indicator that represents the new range and the OK key both flash; pressing OK sets the new range. To exit without changing range press ESCAPE. Pressing any other key whilst in range change mode causes the warning buzzer to beep twice; no other action is taken. If OK is not pressed within 10 seconds of the last range change key press the range selection remains unchanged.

The range can only be changed when the output is off. Pressing the ◀ RANGE or RANGE ▶ keys with the output on will cause the output ON/OFF key (as well as the OK key) to flash. The output may be turned off with the ON/OFF key and the range then changed by pressing OK, or OK may be pressed directly in which case the output is automatically turned off and the range then changed.

If a range change causes a voltage or current limit setting to exceed the corresponding maximum of the new range the range change is accepted but the setting is made equal to the maximum of the new range.

Note that the OVP setting is not changed when the range is changed (e.g. an OVP setting of 38V remains valid on the 15V range); it is left to the user to independently change the OVP setting if required.

Connection to the Load

The load should be connected to the positive (red) and negative (black) OUTPUT terminals. Both are fully floating and either can be connected to ground.

Remote Sensing

The instrument has a very low output impedance, but this is inevitably increased by the resistance of the connecting leads. At high currents this can result in significant differences between the indicated source voltage and the actual load voltage (two 20mΩ connecting leads will drop 0.2V at 5 Amps, for instance). This problem can be minimised by using short, thick, connecting leads, but where necessary it can be completely overcome by using the remote sense capability.

This requires the sense terminals to be connected to the output at the load instead of at the source; insert wires into the spring-loaded REMOTE SENSE terminals and connect directly to the load.

Select remote sense by pressing SHIFT, SENSE; the OK key flashes and the lamp above the remote sense terminals lights to show that remote sense will be selected when OK is pressed. Press OK to confirm; press ESCAPE to exit without changing state. Remote sense is turned off by pressing SHIFT, SENSE again; the OK key flashes and the remote sense lamp goes off to indicate that local sense will be restored when OK is pressed. Press OK to confirm; press ESCAPE to exit without changing state.

To avoid instability and transient response problems, care must be taken to ensure good coupling between each output and sense lead. This can be done either by twisting the leads together or by using coaxially screened cable (sense through the inner). An electrolytic capacitor directly across the load connection point may also be beneficial.

The voltage drop in each output lead must not exceed 0.5 Volts.

The XDL 35-5TP has rear panel output and sense terminals, appropriate for when the instrument is used in a rack. The rear panel sense terminals should always be used with the rear panel output connections.


Sense Miswiring Trip

The output will be tripped off if the voltage between an output terminal and its corresponding sense terminal exceeds approximately 1V; this will happen if the sense wires are wired at the load to the wrong output or if an attempt is made to draw power from the sense wires.

If the sense terminals are miswired in this way the display shows the message **SENSE trip** and the output is turned off. Pressing ESCAPE at this point removes the message and the display now shows the preset voltage and current limit. When the cause of the trip has been corrected the output can be turned on again.

Series or Parallel Connection with Other Outputs

The outputs of the power supply are fully floating and may be used in series with other power supply units to generate high DC voltages up to 300V DC.

The maximum permissible voltage between any terminal and earth ground () is 300VDC.

WARNING! Such voltages are exceedingly hazardous and great care should be taken to shield the output terminals for such use. On no account should the output terminals be touched when the unit is switched on under such use. All connections to the terminals must be made with the power switched off on all units.

It should be noted that the unit can only source current and cannot sink it, thus units cannot be series connected in anti-phase.

The unit can be connected in parallel with others to produce higher currents. Where several units are connected in parallel, the output voltage will be equal to that of the unit with the highest output voltage setting until the current drawn exceeds its current limit setting, upon which the output will fall to that of the next highest setting, and so on. In constant current mode, units can be connected in parallel to provide a current equal to the sum of the current limit settings.

Note that the output terminals are rated at 15A maximum; if several outputs are operated in parallel to source higher currents than this the junction should be made at a separate point, not one of the terminals.

Over-Voltage Protection

Over-Voltage Protection (OVP) can be set from 1.0V to 40V. If the output voltage exceeds the set OVP the output is immediately shut down (typically within 100µs), thus avoiding damage to the circuit under test. The OVP circuit will protect against accidental excessive voltage settings from the front panel or via the remote control interfaces, external voltages impressed across the output terminals, or a failure in the control circuitry of the instrument itself.

To set OVP press SHIFT, OVP; the 100mV step JOG indicator will start flashing and the jog rotary control can be used to increment/decrement the OVP setting in 100mV steps. Press OK to confirm the new setting; to exit without entering a new value press ESCAPE. The factory default setting is 40.0V.

If the OVP is tripped the display shows the message **OVP trip** and the output is turned off. Pressing ESCAPE at this point removes the message and the display now shows the preset voltage and current limit. When the cause of the OVP has been removed (or the OVP limit changed) the output can be turned on again.

Note that the OVP setting is not changed when the range is changed (e.g. an OVP setting of 38V remains valid on the 15V range); it is left to the user to independently change the OVP setting if required.

Note also that it is possible and valid to set OVP below the set voltage. If the supply is in constant current mode the output voltage will be below the set voltage; OVP could be set such that it was above the actual output voltage but below the set voltage. This could be used to trip the output under a fault condition which caused the load impedance to increase and the actual output voltage to therefore rise above the OVP point.

Over-Current Protection

Over-Current Protection (OCP) can be set from 0.01A to 5.5A. If the output current exceeds the set OCP the output is shut down (typically within 35ms).

To set OCP press SHIFT, OCP; the 10mA step JOG indicator will start flashing and the jog rotary control can be used to increment/decrement the OCP setting in 10mA steps. Press OK to confirm the new setting; to exit without entering a new value press ESCAPE. The factory default setting is 5.50A.

If the OCP is tripped the display shows the message **OCP triP** and the output is turned off. Pressing ESCAPE at this point removes the message and the display now shows the preset voltage and current limit. When the cause of the OCP has been removed (or the OCP limit changed) the output can be turned on again.

Note that as with OVP, the OCP setting is not changed when the range is changed.

Note also that it is possible and valid to set OCP below the set current limit. For example, the power supply may be used to repetitively test a unit under test (UUT) which normally takes a peak current of, say, 2 Amps. However, a faulty UUT would take a current of more than 2 Amps and would be damaged by being left in a 2 Amp current-limited state. In this case the current limit could be set to 2.1A, say, and the OCP set to 2.0A to ensure that a faulty UUT will trip the supply off.

Output Protection

In addition to OVP and OCP for forward over-voltage and over-current protection, the output is protected from reverse voltages by a diode; the continuous reverse current must not exceed 3 Amps although transients can be much higher.

Output Power (V x A)

If SHIFT, V x A is pressed the voltage display shows the product of measured output voltage x measured current and the current display shows **UA**. V x A is a momentary function, i.e. it gives an instantaneous, not a continuous, reading of the output power; the reading is held whilst the key is pressed. Pressing V x A cancels SHIFT. Jog is temporarily disabled (and the JOG indicators are turned off) during the V x A display.

Temperature Trip

If the safe internal temperature limit is exceeded because, for example, the fan vents have been blocked, the output is turned off and the display will show **OtP triP**. Pressing ESCAPE at this point will do one of two things:

- i. If the over-temperature condition has already cleared the message will be removed and the display will show preset voltage and current limit. Assuming the cause of the over-temperature has been rectified the output can be turned on again.
- ii. If the instrument is still above the safe temperature limit the **OtP triP** message will flash slowly ('lazy' flash) until the instrument has cooled, at which point the display will show preset voltage and current limit again. Assuming the cause of the over-temperature has been rectified the output can be turned on again.

Alarm Output

The recessed 2-pin connector on the rear panel is directly connected to an opto-coupled NPN switching transistor (pin 1 emitter, pin 2 collector) which is turned on (i.e. switch 'closure') according to the conditions specified in the Extra Functions section, see later. The default condition is switch closure for any trip condition (OVP, OCP, SENSE or OTP). The maximum open-circuit voltage permitted across the switch is 30VDC and the nominal sink current for switch closure is 1mA.

Store Settings

The instrument can store 10 set-ups for each output in non-volatile memory; the parameters stored are range, voltage, current limit, OVP and OCP. The output state and remote sense setting are not stored.

To store a set-up press SHIFT, STORE, store no., OK; the store no. is any key 0 to 9.

After key-presses SHIFT, STORE, the display shows **Store** - ; the SHIFT function is cancelled (the light goes off). At this point, pressing any number key will display that number in place of the - and show either **E** (store Empty) or **F** (store Full) beside it, e.g. **Store 1.E**, **Store 2.F** . Any number of stores can be checked by pressing one number after another (i.e. without having to press SHIFT, STORE each time) before the selection is confirmed with the OK key. A full store can be overwritten with new settings. At any time before the OK key is pressed the store function can be exited without saving a set-up by pressing ESCAPE or by waiting 10 seconds from the last key entry.

Deleting Stored Settings

Any store can be returned to 'empty' as follows: select the store by pressing SHIFT, STORE, store no.; at that point press •. The display now shows **dELeT** in place of **Store** , e.g. **dELeT 2.F** ; pressing OK deletes the content of the store.

Recall Settings

To recall a set-up press SHIFT, RECALL, store no., OK; the store no. is any key 0 to 9. After key-presses SHIFT, RECALL, the display shows **rECAL** - ; the SHIFT function is cancelled (the light goes off). At this point, pressing any key 0 to 9 will preview the voltage and current settings of that store number; the settings flash to indicate preview mode.

Any number of stores can be previewed by pressing one number after another (i.e. without having to press SHIFT, RECALL each time) before the selection is confirmed with the OK key. Empty stores are indicated by flashing - in every digit position. At any time before the OK key is pressed the Recall function can be exited without recalling a set-up by pressing ESCAPE or by waiting 10 seconds from the last key entry.

Settings may be recalled with the output on or off. However, if the recalled setting involves a range change the output is turned off to avoid any 'glitches'. After pressing SHIFT, RECALL, store no., the ON/OFF key will flash (as well as the OK key) if completing the recall involves a range change. The output may be turned off with the ON/OFF key and the recall then completed by pressing OK, or OK may be pressed directly in which case the output is automatically turned off and the recall completed.

Extra Functions

Variations on some of the factory default functions can be set by the user by using the # extra functions facility. Each function change, detailed in the list below is accessed by pressing SHIFT, #, nn, when nn is the 2-digit number in the list below; the display changes to **HASH No. _** after SHIFT, # and the buzzer gives a confirmation beep when the 2-digit number entry is complete. As indicated in the opening paragraph of this section, the # functions can be set independently (i.e. differently) for each main output; note, however, that the #02, #03 and #21 functions which apply to the Auxiliary Output can only be set when ◀ CONTROL ▶ is assigned to Output 1.

| # Code | Function |
|--------|---|
| 00 | Main Output always off at power-up (factory default) |
| 01 | Main Output status at power-up the same as at last power-down |
| 02 | Aux Output always off at power up (factory default). Set with control assigned to Output 1. |
| 03 | Aux Output status at power up the same as at last power down. Set with control assigned to Output 1. |

| | |
|----|--|
| 20 | Alarm output 'open' for main Output off, 'closed' for main Output on |
| 21 | Alarm output 'closed' when Aux Output is in Current Limit. Set with control assigned to Output 1; applies to Output 1 alarm only. |
| 22 | Alarm output 'closed' when over-temperature trip occurs |
| 23 | Alarm output 'closed' when sense trip occurs |
| 24 | Alarm output 'closed' when over-current trip occurs |
| 25 | Alarm output 'closed' when over-voltage trip occurs |
| 26 | Alarm output 'closed' when any trip occurs (factory default) |
| 30 | Buzzer off |
| 31 | Buzzer on (factory default). A single beep indicates confirmation, a double beep indicates a wrong entry. |
| 40 | Jog digit flashes, JOG indicator only flashes when jog is 'hidden' |
| 41 | JOG indicator always flashes, except when 'hidden' (factory default) |
| 42 | JOG indicator doesn't flash, except when 'hidden' (lazy flash) |
| 91 | Loads default calibration parameters. Refer to Service Manual |
| 92 | Shows firmware version number in the display |
| 93 | Sets these # settings to their factory default |
| 99 | Enter calibration mode. Refer to Service Manual. |

Factory Default Settings

The ex-factory default settings (which will apply at first power-up) are as follows:

| | |
|----------------|---|
| Range: | 35V/3A |
| Voltage: | 1.000V |
| Current Limit: | 1.000A |
| OVP: | 40V |
| OCP: | 5.5A |
| Output: | Output off; local Sense |
| # Settings: | 00 Main Output always off at power-up |
| | 02 Aux Output always off at power up (an Output 1 # function only). |
| | 26 Alarm output 'closed' when any trip condition occurs |
| | 31 Buzzer on |
| | 41 JOG indicator always flashes; 'lazy' flash when hidden |
| RS232: | 9,600 Baud (XDL 35-5TP only) |
| Address: | 11 (XDL 35-5TP only) |

Error Messages

The following hardware errors are indicated by showing the appropriate error number in the display. The OK key will flash and if pressed the error will be ignored and operation will continue as described.

| Error No. | Error Description | Action on pressing OK |
|-----------|--|---|
| 1 | Calibration constants corrupted at power-up | Loads default calibration parameters |
| 2 | # functions corrupted at power-up | Loads default # settings |
| 3 | Power-down settings not correctly loaded at power up | Loads factory default power-up settings |

Switching the instrument off with the error message showing will leave all settings unchanged.

Main Outputs – Link Mode

In Link mode, selected by pressing the LINK key, the key parameters of the two Main Outputs are adjusted together; when Link mode has been selected both ◀ CONTROL ▶ keys (1 and 2) are lit to show that both outputs are selected.

The following paragraphs only describe the differences between independent and linked operation; they should be read in conjunction with the corresponding paragraphs in the Main Outputs section.

Linked Mode Operation – Overview

Control of the two main outputs can be "linked" so that changes are applied to both outputs simultaneously. There can be several reasons for wanting to do this:

1. Series or Parallel Wiring

The user may wish to create an output with either twice the voltage or twice the current capability, see the Series or Parallel Connection with Other Outputs section on page 20. Linked mode provides a convenient means for controlling the two outputs when they are series or parallel connected.

2. Tracking Voltages (or Currents)

When in linked mode, using Numeric Set will set equal voltages and/or currents on the two outputs. Control of the outputs can also be linked with different voltages and/or currents set on the outputs. Use of the Jog control will then make equal changes to the two outputs.

3. Simultaneous Recall of Stored Settings

Each output has its own set of 10 memories. However, when in linked mode, a further set of 10 memories is available which can store settings for both outputs. Voltages and currents can be set individually for each output and the control put into linked mode before storing. The stored settings can then be recalled to both outputs simultaneously.

Note:

The existing settings for Output 1 can be duplicated on Output 2 using the Copy function before or after linking.

When in linked mode the control functions are limited to Set Range, Set Volts and Set Current (Numeric Set and Jog set), plus Store and Recall. OVP, OCP and Sense cannot be changed while in linked mode.

Control of On/Off for each output remains separate when in linked mode. To switch the outputs On or Off together the Multi-Output Control buttons must be used which are independent of linked mode.

Selecting Link Mode

The only constraint on selecting Link mode is that both Main Outputs must already be set to the same Range; in particular, the outputs may be linked even if their output voltage and current limit settings are different. Pressing LINK when different ranges are set will cause the buzzers to sound twice and the Range indicator of the previously unselected output to flash for 2 seconds.

Selecting Link mode will cancel any Jog selection set on either Main Output.

Set Voltage and Set Current Limit

Setting the output voltage and current limit by numeric entry or Jog control is essentially the same as for the outputs in independent mode. Using numeric entry the two outputs will be set to exactly the same new voltage and current limit, irrespective of the settings at the time the outputs were linked. Note that there can be a finite time difference between the changes on the two outputs, even if they are changing from the same initial setting; typically this time difference should be no more than 40ms (80ms max). However, if the settings were different at the time the outputs were linked, changing the voltage or current limit using the Jog control will maintain the difference between the two outputs by incrementing/decrementing each output by the same step,

i.e. the outputs will 'track' each other. Tracking will be maintained until one of the outputs reaches the range limit, at which time each further Jog step will cause the buzzer to sound for that output (but with the output remaining at the range limit) whilst the in-range output continues to change, i.e. 'tracking' ceases and the outputs converge with each further step. If the increment/decrement is reversed the new (smaller) difference between the outputs is maintained until one output reaches the range limit in the other direction.

If Link mode is exited whilst Jog is selected, Jog continues to be active on the selected output.

Store and Recall

In Link mode a further 10 non-volatile memories are available which are quite separate from the 10 memories for each output in independent mode. The parameters stored are Range, Voltage, Current Limit, OVP and OCP. Operation in Link mode is exactly as described in the Store, Recall and Delete paragraphs of the Main Outputs section; the display messages described in these sections appear in both displays when Link mode is selected.

OVP, OCP and Sense

OVP, OCP and Sense can only be set when either channel is independently selected. The settings are maintained when Link mode is selected; OVP and OCP can be saved as part of a Link mode set-up but the Sense setting cannot. If an attempt is made to change OVP, OCP or Sense whilst in Link mode the display of Output 1 will flash **SELCt 1or2** to remind the user that these parameters must be set independently for each channel. Press ESCAPE to cancel the flashing display, assign control to the appropriate channel using the **◀ CONTROL ▶ 1 or 2** keys and set OVP, OCP, or Sense as described for the individual outputs.

Output Power

Pressing SHIFT, V x A causes the output power of both outputs to be displayed simultaneously in their respective displays (V x A in the voltage display, **UA** in the current display) exactly as described for independent operation.

Extra Functions

The # functions described in the Extra Functions paragraph of the Main Outputs section can also be set when the instrument is in Link mode; both displays will show **HASH No. _** after pressing SHIFT, #. Any # function set in this way will of course be the same for both outputs. However, the # functions can be different for each output if they are separately set whilst in independent mode and the function selection will be maintained for each output even when the outputs are in Link mode.

Bus Type and Address/Baud Rate

The Bus Type, Address and Baud Rate can only be selected when control is assigned to Output 2. The Output 2 display is used to show the parameters being set, exactly as described for independent operation. If an attempt is made to set these parameters in Links mode, or with Output 1 selected, the display of Output 1 flashes **SELCt P.U. _2** as a prompt to select Output 2. Press Escape to clear the display prompt (or wait for it to time out), then select Output 2.

Main Outputs – Copy Function

The principle settings of Output 1 can be copied to Output 2 using the Copy function, irrespective of the **◀ CONTROL ▶** mode (1, 2 or LINK) currently selected. The parameters copied are Range, Voltage, Current Limit, OVP and OCP; the status of Sense, ON/OFF, Jog and the Store contents are not copied.

Pressing SHIFT, COPY 1>2 causes the Voltage, Current and Range settings of Output 1 to appear on the displays of Output 2 in flashing mode; the OK key also flashes. Pressing OK confirms and implements the Copy operation; pressing ESCAPE at that point abandons the operation.

If the Copy operation will cause a range change to Output 2, and if Output 2 is ON, the Output 2 ON/OFF key also flashes and the output is turned OFF when OK is pressed; the output can also be turned off directly with its ON/OFF key before OK is pressed.

Auxiliary Output

The AUXILIARY output can provide up to 1 Amp at 2.7V, 3.3V or 5.0V. The output voltage is set by a front-panel slide-switch and the current limit is fixed at ≥ 1 Amp. The output terminals are duplicated on the rear panel (screwless terminals) for rack use; there is no remote sense capability. The output is switched On and Off electronically by the front panel switch or via one of the remote control interfaces; no other function can be remote controlled on this output. Current Limit is indicated when the output voltage has dropped by ~ 100 mV; at this point the output will typically source 1.5A and will maintain this current as the load impedance is reduced to a short-circuit. If a short-circuit is maintained the output will eventually enter thermal shutdown.

Remote Operation (XDL 35-5TP only)

The instrument can be remotely controlled via its RS232, USB or GPIB interfaces. When using RS232 it can either be the only instrument connected to the controller or it can be part of an addressable RS232 chain which permits up to 32 instruments to be addressed from one RS232 port.

The USB interface operates internally through the instrument's RS232 interface. USB remote control consequently operates exactly as described for single-instrument RS232 use but via the USB connector. The instrument operates at the maximum Baud rate (19200) in USB mode. The virtual COM port on the controlling computer, which is set up using the driver software supplied, must be set to the same Baud rate. Application software on the computer can then access the instrument as if it is connected via the RS232 connector. The USB port cannot, however, be used as part of an addressable RS232 chain.

Some of the following sections are general and apply to all modes (single instrument RS232, USB, addressable RS232 chain and GPIB); others are clearly only relevant to a particular interface or mode. It is only necessary to read the general sections plus those specific to the intended remote control mode.

Remote command format and the remote commands themselves are detailed in the Remote Commands chapter.

Control Bus, Instrument Address and Baud Rate Selection

For successful operation each instrument connected to a GPIB bus or addressable RS232 chain must be assigned a unique address. For addressable RS232 all instruments in the chain must be set to the same Baud rate.

To change the interface settings the ◀ CONTROL ▶ mode must first be set to 2 (i.e. Output 2 only selected).

Press SHIFT, Bus Type to display the currently selected bus type. To change to another bus type scroll through the available types using the rotary control until the required type is displayed. Press OK to select the displayed type or ESCAPE to retain the previous selection.

Press SHIFT, Addr/Baud to display the currently selected instrument bus address. If the currently selected bus type is RS232 then pressing Addr/Baud again displays the currently selected Baud rate and repeated presses alternate between the two. To change the address scroll through the available addresses using the rotary control when the address is displayed. The address can be set between 1 and 31 inclusive and the same address is used for both GPIB and addressable RS232; the address setting is ignored in USB mode. To change the Baud rate scroll through the available rates using the rotary control when the Baud rate is displayed. Press OK to select the last displayed address and Baud rate or ESCAPE to retain the previous selections. Note that RS232 must be selected before the Baud rate can be selected; the Baud rate is fixed at maximum (19200) for USB.

Remote/Local Operation

At power-on the instrument will be in the local state with the REM indicator off. In this state all keyboard operations are possible. When the instrument is addressed to listen and a command is received the remote state will be entered and REM will be turned on. In this state the keyboard is locked out and remote commands only will be processed. The instrument may be returned to the local state by pressing the LOCAL key; however, the effect of this action will only remain until the instrument is addressed again or receives another character from the interface, when the remote state will once again be entered.

RS232 Interface

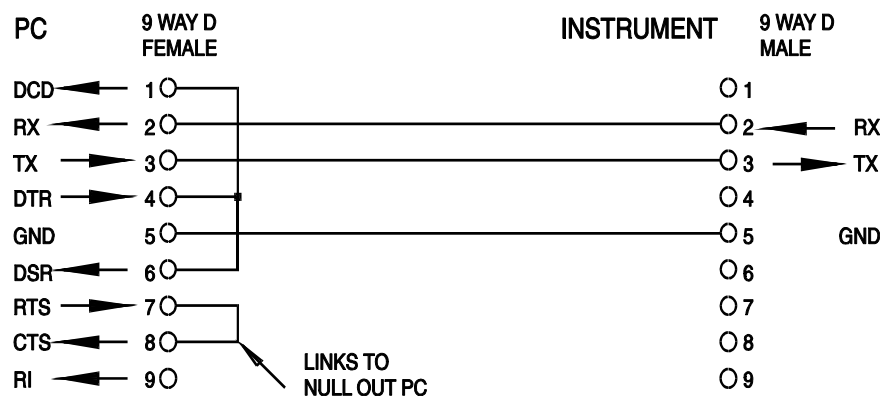
RS232 Interface Connector

The 9-way D-type serial interface connector is located on the instrument rear panel. The pin connections are as shown below:

| Pin | Name | Description |
|-----|------|---|
| 1 | - | No internal connection |
| 2 | TXD | Transmitted data from instrument |
| 3 | RXD | Received data to instrument |
| 4 | - | No internal connection |
| 5 | GND | Signal ground |
| 6 | - | No internal connection |
| 7 | RXD2 | Secondary received data (addressable RS232 only) |
| 8 | TXD2 | Secondary transmitted data (addressable RS232 only) |
| 9 | GND | Signal ground (addressable RS232 only) |

Single Instrument RS232 Connections

For single instrument remote control only pins 2, 3 and 5 are connected to the PC. However, for correct operation links must be made in the connector at the PC end between pins 1, 4 and 6 and between pins 7 and 8, see diagram. Pins 7 and 8 of the instrument must **not** be connected to the PC, i.e. do not use a fully wired 9-way cable.

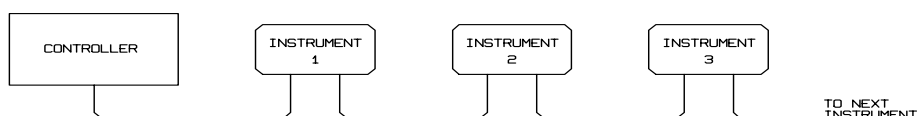


Baud Rate is set as described above in Address and Baud Rate Selection; the other parameters are fixed as follows:

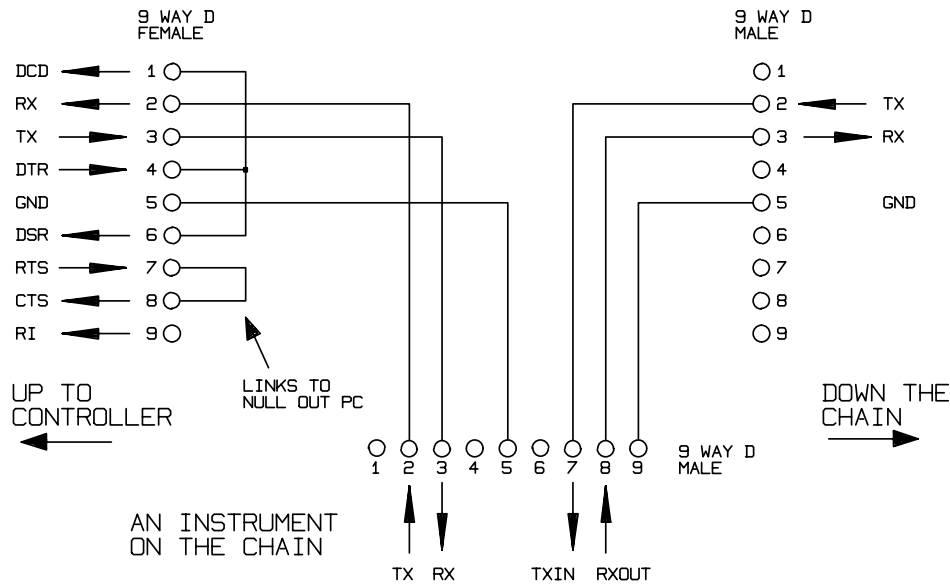
Start Bits: 1 Parity: None
 Data Bits: 8 Stop Bits: 1

Addressable RS232 Connections

For addressable RS232 operation pins 7, 8 and 9 of the instrument connector are also used. Using a simple cable assembly, a 'daisy chain' connection system between any number of instruments, up to the maximum of 32 can be made, as shown below:



The daisy chain consists of the transmit data (TXD), receive date (RXD) and signal ground lines only. There are no control/handshake lines. This makes XON/XOFF protocol essential and allows the inter-connection between instruments to contain just 3 wires. The wiring of the adaptor cable is shown below:



All instruments on the interface must be set to the same baud rate and all must be powered on, otherwise instruments further down the daisy chain will not receive any data or commands.

The other parameters are fixed as follows:

| | |
|---------------|--------------|
| Start Bits: 1 | Parity: None |
| Data Bits: 8 | Stop Bits: 1 |

RS232 Character Set

Because of the need for XON/XOFF handshake it is possible to send ASCII coded data only; binary blocks are not allowed. Bit 7 of ASCII codes is ignored, i.e. assumed to be low. No distinction is made between upper and lower case characters in command mnemonics and they may be freely mixed. The ASCII codes below 20H (space) are reserved for addressable RS232 interface control. In this manual 20H, etc. means 20 in hexadecimal

Addressable RS232 Interface Control Codes

All instruments intended for use on the addressable RS232 bus use the following set of interface control codes. Codes between 00H and 1FH which are not listed here as having a particular meaning are reserved for future use and will be ignored. Mixing interface control codes inside instrument commands is not allowed except as stated below for CR and LF codes and XON and XOFF codes.

When an instrument is first powered on it will automatically enter the Non-Addressable mode. In this mode the instrument is not addressable and will not respond to any address commands. This allows the instrument to function as a normal RS232 controllable device. This mode may be locked by sending the Lock Non-Addressable mode control code, 04H. The controller and instrument can now freely use all 8 bit codes and binary blocks but all interface control codes are ignored. To return to addressable mode the instrument must be powered off.

To enable addressable mode after an instrument has been powered on the Set Addressable Mode control code, 02H, must be sent. This will then enable all instruments connected to the addressable RS232 bus to respond to all interface control codes. To return to Non-Addressable mode the Lock Non-Addressable mode control code must be sent which will disable addressable mode until the instruments are powered off.

Before an instrument is sent a command it must be addressed to listen by sending the Listen Address control code, 12H, followed by a single character which has the lower 5 bits corresponding to the unique address of the required instrument, e.g. the codes A-Z or a-z give the addresses 1-26 inclusive while @ is address 0 and so on. Once addressed to listen the instrument will read and act upon any commands sent until the listen mode is cancelled.

Because of the asynchronous nature of the interface it is necessary for the controller to be informed that an instrument has accepted the listen address sequence and is ready to receive commands. The controller will therefore wait for Acknowledge code, 06H, before sending any commands. The addressed instrument will provide this Acknowledge. The controller should time-out and try again if no Acknowledge is received within 5 seconds.

Listen mode will be cancelled by any of the following interface control codes being received:

- 12H Listen Address followed by an address not belonging to this instrument.
- 14H Talk Address for any instrument.
- 03H Universal Unaddress control code.
- 04H Lock Non-Addressable mode control code.
- 18H Universal Device Clear.

Before a response can be read from an instrument it must be addressed to talk by sending the Talk Address control code, 14H, followed by a single character which has the lower 5 bits corresponding to the unique address of the required instrument, as for the listen address control code above. Once addressed to talk the instrument will send the response message it has available, if any, and then exit the talk addressed state. Only one response message will be sent each time the instrument is addressed to talk.

Talk mode will be cancelled by any of the following interface control codes being received:

- 12H Listen Address for any instrument.
- 14H Talk Address followed by an address not belonging to this instrument.
- 03H Universal Unaddress control code.
- 04H Lock Non-Addressable mode control code.
- 18H Universal Device Clear.

Talk mode will also be cancelled when the instrument has completed sending a response message or has nothing to say.

The interface code 0AH (LF) is the universal command and response terminator; it must be the last code sent in all commands and will be the last code sent in all responses.

The interface code 0DH (CR) may be used as required to aid the formatting of commands; it will be ignored by all instruments. Most instruments will terminate responses with CR followed by LF.

The interface code 13H (XOFF) may be sent at any time by a listener (instrument or controller) to suspend the output of a talker. The listener must send 11H (XON) before the talker will resume sending. This is the only form of handshake control supported by addressable RS232 mode.

Full List of Addressable RS232 Interface Control Codes

- 02H Set Addressable Mode.
- 03H Universal Unaddress control code.
- 04H Lock Non-Addressable mode control code.
- 06H Acknowledge that listen address received.
- 0AH Line Feed (LF); used as the universal command and response terminator.
- 0DH Carriage Return (CR); formatting code, otherwise ignored.
- 11H Restart transmission (XON).
- 12H Listen Address - must be followed by an address belonging to the required instrument.
- 13H Stop transmission (XOFF).
- 14H Talk Address - must be followed by an address belonging to the required instrument.
- 18H Universal Device Clear.

USB Interface

The USB interface allows the instrument to be controlled using RS232 protocol via a computer's USB port. This is useful where the computer's standard RS232 COM ports are fully utilised or non-existent.

The instrument is supplied with a disk containing drivers for various versions of Windows, including Win98 and 2000. The disk also contains a text file with information and details of the software installation procedure.

Installation of the interface driver is achieved by connecting the instrument to a PC via a standard USB cable. The Windows' plug and play functions should automatically recognise the addition of new hardware attached to the USB interface and if this is the first time the connection has been made, prompt for the location of a suitable driver. Provided that the standard Windows prompts are followed correctly Windows will install the appropriate driver and establish a virtual COM port within the PC. The number of the new COM port will depend upon the number of co-existing COM ports within the PC. The virtual COM port can be driven by Windows applications in exactly the same way as a standard port.

Note that it is necessary to set the virtual COM port to the same Baud rate as the instrument being controlled in exactly the same way as with a standard RS232 connection.

The driver will remain installed on the PC so that the establishment of a virtual COM port is done automatically each time the instrument is connected to the PC via USB in the future.

Further virtual COM ports are created for each additional instrument connected to the PC via USB. Each instrument is assigned a separate virtual COM port when it is first connected and the same COM port will be assigned each time that instrument is subsequently connected; the PC software makes use of the unique code embedded in each instrument to link it to the same virtual COM port irrespective of which physical USB port it is connected to.

Use can also be made of the ADDRESS? command to easily identify which instrument is being controlled by a particular COM port. Although the addressing capability is ignored in USB operation the address can still be set and used as an identifier; set each USB-connected instrument to a different address and send the ADDRESS? command from each virtual COM port to confirm which instrument is connected to that port.

The supplied disk contains an uninstall program should this be required.

GPIB Interface

The GPIB interface 24-way connector is located on the instrument rear panel. The pin connections are as specified in IEEE Std. 488.1-1987 and the instrument complies with IEEE Std. 488.1-1987 and IEEE Std. 488.2-1987.

GPIB Subsets

This instrument contains the following IEEE 488.1 subsets:

| | |
|----------------------|-----|
| Source Handshake | SH1 |
| Acceptor Handshake | AH1 |
| Talker | T6 |
| Listener | L4 |
| Service Request | SR1 |
| Remote Local | RL1 |
| Parallel Poll | PP1 |
| Device Clear | DC1 |
| Device Trigger | DT0 |
| Controller | C0 |
| Electrical Interface | E2 |

GPIB IEEE Std. 488.2 Error Handling – Query Error Register

The IEEE 488.2 UNTERMINATED error (addressed to talk with nothing to say) is handled as follows. If the instrument is addressed to talk and the response formatter is inactive and the input queue is empty then the UNTERMINATED error is generated. This will cause the Query Error bit to be set in the Standard Event Status Register, a value of 3 to be placed in the Query Error Register and the parser to be reset. See the Status Reporting section for further information.

The IEEE 488.2 INTERRUPTED error is handled as follows. If the response formatter is waiting to send a response message and a <PROGRAM MESSAGE TERMINATOR> has been read by the parser or the input queue contains more than one END message then the instrument has been INTERRUPTED and an error is generated. This will cause the Query Error bit to be set in the Standard Event Status Register, a value of 1 to be placed in the Query Error Register and the response formatter to be reset thus clearing the output queue. The parser will then start parsing the next <PROGRAM MESSAGE UNIT> from the input queue. See the Status Reporting section for further information.

The IEEE 488.2 DEADLOCK error is handled as follows. If the response formatter is waiting to send a response message and the input queue becomes full then the instrument enters the DEADLOCK state and an error is generated. This will cause the Query Error bit to be set in the Standard Event Status Register, a value of 2 to be placed in the Query Error Register and the response formatter to be reset thus clearing the output queue. The parser will then start parsing the next <PROGRAM MESSAGE UNIT> from the input queue. See the Status Reporting section for further information.

GPIB Parallel Poll

Complete parallel poll capabilities are offered on this instrument. The Parallel Poll Enable Register is set to specify which bits in the Status Byte Register are to be used to form the *ist* local message. The Parallel Poll Enable Register is set by the *PRE <nrf> command and read by the *PRE? command. The value in the Parallel Poll Enable Register is ANDed with the Status Byte Register; if the result is zero then the value of *ist* is 0 otherwise the value of *ist* is 1.

The instrument must also be configured so that the value of *ist* can be returned to the controller during a parallel poll operation. The instrument is configured by the controller sending a Parallel Poll Configure command (PPC) followed by a Parallel Poll Enable command (PPE). The bits in the PPE command are shown below:

| | | |
|---------|-------|--|
| bit 7 = | X | don't care |
| bit 6 = | 1 | Parallel poll enable |
| bit 5 = | 1 | |
| bit 4 = | 0 | |
| bit 3 = | Sense | sense of the response bit; 0 = low, 1 = high |
| bit 2 = | ? | bit position of the response |
| bit 1 = | ? | |
| bit 0 = | ? | |

Example. To return the RQS bit (bit 6 of the Status Byte Register) as a 1 when true and a 0 when false in bit position 1 in response to a parallel poll operation send the following commands

*PRE 64<pmt>, then PPC followed by 69H (PPE)

The parallel poll response from the instrument will then be 00H if RQS is 0 and 01H if RQS is 1.

During parallel poll response the DIO interface lines are resistively terminated (passive termination). This allows multiple devices to share the same response bit position in either wired-AND or wired-OR configuration, see IEEE 488.1 for more information.

Status Reporting

This section describes the complete status model of the instrument. Note that some registers are specific to the GPIB section of the instrument and are of limited use in an RS232 environment.

Standard Event Status and Standard Event Status Enable Registers

These two registers are implemented as required by the IEEE Std. 488.2.

Any bits set in the Standard Event Status Register which correspond to bits set in the Standard Event Status Enable Register will cause the ESB bit to be set in the Status Byte Register.

The Standard Event Status Register is read and cleared by the *ESR? command. The Standard Event Status Enable register is set by the *ESE <nrf> command and read by the *ESE? command.

- Bit 7 - Power On. Set when power is first applied to the instrument.
- Bit 6 - Not used.
- Bit 5 - Command Error. Set when a syntax type error is detected in a command from the bus. The parser is reset and parsing continues at the next byte in the input stream.
- Bit 4 - Execution Error. Set when an error is encountered while attempting to execute a completely parsed command. The appropriate error number will be reported in the Execution Error Register.
 - 1- 99 Indicates a hardware error has been encountered.
 - 116 A recall of set up data has been requested but the store specified does not contain any data.
 - 117 A recall of set up data has been requested but the store specified contains corrupted data. This indicates either a hardware fault or a temporary data corruption which can be corrected by writing data to the store again.
 - 120 The numerical value sent with the command was too big or too small. Includes negative numbers where only positive numbers are accepted.
 - 123 A recall/store of set up data has been requested from/to an illegal store number.
 - 124 A range change has been requested but the current psu settings make it illegal – see manual operation instructions for details.
- Bit 3 - Verify Timeout Error. Set when a parameter is set with 'verify' specified and the value is not reached within 5 secs, e.g. output voltage is slowed by a large capacitor on the output.
- Bit 2 - Query Error. Set when a query error occurs. The appropriate error number will be reported in the Query Error Register as listed below.
 - 1. Interrupted error
 - 2. Deadlock error
 - 3. Unterminated error
- Bit 1 - Not used.
- Bit 0 - Operation Complete. Set in response to the *OPC command.

Limit Event Status Registers and Limit Event Status Enable Registers

Two pairs of registers are implemented as an addition to the IEEE Std.488.2. Each pair consists of a Limit Event Status Register and an accompanying Limit Status Event Enable Register. Limit Event Status Register 1 (LSR1) and Limit Event Status Enable Register 1 (LSE1) apply to output 1. Limit Event Status Register 2 (LSR2) and Limit Event Status Enable Register 2 (LSE2) apply to output 2 and the Auxiliary output. Their purpose is to inform the controller of entry to and/or exit from current or voltage limit conditions by storing a history of protection trip conditions since the last read.

Any bits set in a Limit Event Status Register which correspond to bits set in the accompanying Limit Event Status Enable Register will cause the LIM1 or LIM2 bit to be set in the Status Byte Register.

Limit Event Status Registers 1 and 2 are read and cleared by the LSR1? and LSR2? commands respectively. Limit Event Status Enable Registers 1 and 2 are set by the LSE1<nrf> and LSE2<nrf> commands and read by the LSE1? and LSE2? commands respectively.

Limit Event Status Register 1

- Bit 7 - not used
- Bit 6 - not used
- Bit 5 - Set when an output 1 sense trip has occurred
- Bit 4 - Set when an output 1 thermal trip has occurred
- Bit 3 - Set when an output 1 over current trip has occurred
- Bit 2 - Set when an output 1 over voltage trip has occurred
- Bit 1 - Set when output 1 enters current limit (constant current mode)
- Bit 0 - Set when output 1 enters voltage limit (constant voltage mode)

Limit Event Status Register 2

- Bit 7 - not used
- Bit 6 - Set when the Auxiliary output enters current limit
- Bit 5 - Set when an output 2 sense trip has occurred
- Bit 4 - Set when an output 2 thermal trip has occurred
- Bit 3 - Set when an output 2 over current trip has occurred
- Bit 2 - Set when an output 2 over voltage trip has occurred
- Bit 1 - Set when output 2 enters current limit (constant current mode)
- Bit 0 - Set when output 2 enters voltage limit (constant voltage mode)

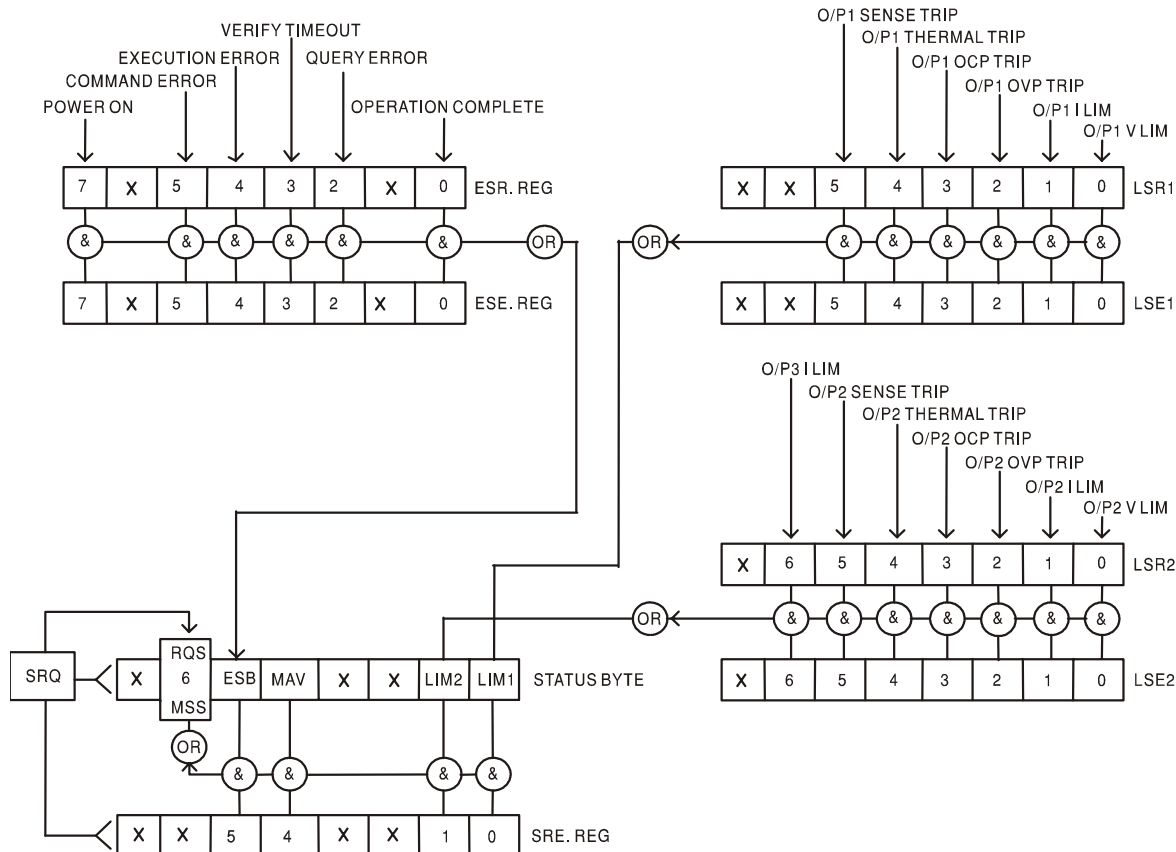
Status Byte Register and Service Request Enable Register

These two registers are implemented as required by the IEEE Std. 488.2.

Any bits set in the Status Byte Register which correspond to bits set in the Service Request Enable Register will cause the RQS/MSS bit to be set in the Status Byte Register, thus generating a Service Request on the bus.

The Status Byte Register is read either by the *STB? command, which will return MSS in bit 6, or by a Serial Poll which will return RQS in bit 6. The Service Request Enable register is set by the *SRE <nrf> command and read by the *SRE? command.

- Bit 7 - Not used.
- Bit 6 - RQS/MSS. This bit, as defined by IEEE Std. 488.2, contains both the Requesting Service message and the Master Status Summary message. RQS is returned in response to a Serial Poll and MSS is returned in response to the *STB? command.
- Bit 5 - ESB. The Event Status Bit. This bit is set if any bits set in the Standard Event Status Register correspond to bits set in the Standard Event Status Enable Register.
- Bit 4 - MAV. The Message Available Bit. This will be set when the instrument has a response message formatted and ready to send to the controller. The bit will be cleared after the Response Message Terminator has been sent.
- Bit 3 - Not used.
- Bit 2 - Not used.
- Bit 1 - LIM2. This will be set if any bits in Limit Event Status Register 2 are set and corresponding bits are set in Limit Event Status Enable Register 2.
- Bit 0 - LIM1. This will be set if any bits in Limit Event Status Register 1 are set and corresponding bits are set in Limit Event Status Enable Register 1.



Status Model

Power on Settings

The following instrument status values are set at power on:

| | |
|---|---------------------|
| Status Byte Register | = 0 |
| Service Request Enable Register † | = 0 |
| Standard Event Status Register | = 128 (pon bit set) |
| Standard Event Status Enable Register † | = 0 |
| Execution Error Register | = 0 |
| Query Error Register | = 0 |
| Parallel Poll Enable Register † | = 0 |

† Registers marked thus are specific to the GPIB section of the instrument and are of limited use in an RS232 environment.

The instrument will be in local state with the keyboard active.

The instrument parameters at power on are the same as at last switch off with the exception of the output status. By default this is always off at power on but the user may change this to the same at power on as at switch off.

Remote Commands

RS232 Remote Command Formats

Serial input to the instrument is buffered in a 256 byte input queue which is filled, under interrupt, in a manner transparent to all other instrument operations. The instrument will send XOFF when approximately 200 characters are in the queue. XON will be sent when approximately 100 free spaces become available in the queue after XOFF was sent. This queue contains raw (un-parsed) data which is taken, by the parser, as required. Commands (and queries) are executed in order and the parser will not start a new command until any previous command or query is complete. In non-addressable RS232 mode responses to commands or queries are sent immediately; there is no output queue. In addressable mode the response formatter will wait indefinitely if necessary, until the instrument is addressed to talk and the complete response message has been sent, before the parser is allowed to start the next command in the input queue.

Commands must be sent as specified in the commands list and must be terminated with the command terminator code 0AH (Line Feed, LF). Commands may be sent in groups with individual commands separated from each other by the code 3BH (;). The group must be terminated with command terminator 0AH (Line Feed, LF).

Responses from the instrument to the controller are sent as specified in the commands list. Each response is terminated by 0DH (Carriage Return, CR) followed by 0AH (Line Feed, LF).

<WHITE SPACE> is defined as character codes 00H to 20H inclusive with the exception of those which are specified as addressable RS232 control codes.

<WHITE SPACE> is ignored except in command identifiers. e.g. '*C LS' is not equivalent to '*CLS'.

The high bit of all characters is ignored.

The commands are case insensitive.

GPIB Remote Command Formats

GPIB input to the instrument is buffered in a 256 byte input queue which is filled, under interrupt, in a manner transparent to all other instrument operations. The queue contains raw (un-parsed) data which is taken, by the parser, as required. Commands (and queries) are executed in order and the parser will not start a new command until any previous command or query is complete. There is no output queue which means that the response formatter will wait, indefinitely if necessary, until the instrument is addressed to talk and the complete response message has been sent, before the parser is allowed to start the next command in the input queue.

Commands are sent as <PROGRAM MESSAGES> by the controller, each message consisting of zero or more <PROGRAM MESSAGE UNIT> elements separated by <PROGRAM MESSAGE UNIT SEPARATOR> elements.

A <PROGRAM MESSAGE UNIT> is any of the commands in the remote commands list.

A <PROGRAM MESSAGE UNIT SEPARATOR> is the semi-colon character ';' (3BH).

<PROGRAM MESSAGES> are separated by <PROGRAM MESSAGE TERMINATOR> elements which may be any of the following:

- | | |
|--------|--|
| NL | The new line character (0AH) |
| NL^END | The new line character with the END message |
| ^END | The END message with the last character of the message |

Responses from the instrument to the controller are sent as <RESPONSE MESSAGES>. A <RESPONSE MESSAGE> consists of one <RESPONSE MESSAGE UNIT> followed by a <RESPONSE MESSAGE TERMINATOR>.

A <RESPONSE MESSAGE TERMINATOR> is the new line character with the END message NL^END.

Each query produces a specific <RESPONSE MESSAGE> which is listed along with the command in the remote commands list.

<WHITE SPACE> is ignored except in command identifiers. e.g. '*C LS' is not equivalent to '*CLS'. <WHITE SPACE> is defined as character codes 00H to 20H inclusive with the exception of the NL character (0AH).

The high bit of all characters is ignored.

The commands are case insensitive.

Command List

This section lists all commands and queries implemented in this instrument. The commands are listed in alphabetical order within the function groups.

Note that there are no dependent parameters, coupled parameters, overlapping commands, expression program data elements or compound command program headers; each command is completely executed before the next command is started. All commands are sequential and the operation complete message is generated immediately after execution in all cases.

The following nomenclature is used:

| | |
|-------|---|
| <rmt> | <RESPONSE MESSAGE TERMINATOR> |
| <nrf> | A number in any format. e.g. 12, 12·00, 1·2 e1 and 120 e-1 are all accepted as the number 12. Any number, when received, is converted to the required precision consistent with the use then rounded up to obtain the value of the command. |
| <nr1> | A number with no fractional part, i.e. an integer. |
| <nr2> | A number in fixed point format e.g. 11·52, 0·78 etc. |
| <n> | The number of the output or status register to which the command relates. Note that <n>= 3 refers to the Auxiliary output. |

The commands which begin with a * are those specified by IEEE Std. 488.2 as Common commands. All will function when used on the RS232 interface but some are of little use.

Instrument Specific Commands

For commands specified as 'WITH VERIFY' the Operation Complete message is generated when the parameter being adjusted reaches the required value to within +/-5% or +/-10 counts, whichever is the greater. If the value fails to settle to within these limits within 5 seconds then the Verify Timeout bit (bit 3) is set in the Standard Event Status register and the Operation Complete message will not be generated.

When the supply is operated in LINK mode, commands which set values and ranges are applied to outputs 1 and 2 simultaneously, regardless of the whether <n> is set to 1 or 2. When the command requests verification then verification will be sought from both outputs before the command is completed. Additionally the SAV<n> and RCL<n> commands operate on non-volatile memory reserved for linked mode set-ups and <n> may be set to 1 or 2 with the same effect. Note however that <n> is part of the command header and must be included.

| | |
|--------------|--|
| V<n> <nrf> | set output <n> to <nrf> Volts |
| V<n>V <nrf> | set output <n> to <nrf> Volts with verify |
| OVP<n> <nrf> | set output <n> over voltage protection trip point to <nrf> Volts |
| I<n> <nrf> | set output <n> current limit to <nrf> Amps |
| OCP<n> <nrf> | set output <n> over current protection trip point to <nrf> Amps |
| V<n>? | return the set voltage of output <n> – response is V <n> <nr2><rmt> where <nr2> is in Volts |

| | |
|------------------|--|
| I<n>? | return the set current limit of output <n> – response is I <n> <nr2><rmt> where <nr2> is in Amps |
| OVP<n>? | return the voltage trip setting for output <n> – response is VP<n> <nr2><rmt> where <nr2> is in Volts |
| OCP<n>? | return the current trip setting for output <n> – response is IP<n> <nr2><rmt> where <nr2> is in Amps |
| V<n>O? | return the output readback voltage for output <n> – response is <nr2>V<rmt> where <nr2> is in Volts |
| I<n>O? | return the output readback current for output <n> – response is <nr2>A<rmt> where <nr2> is in Amps |
| RANGE<n> <nrf> | set the voltage range of output <n> to <nrf> where <nrf> has the following meaning: 0=15V(5A), 1=35V(3A), 2=35V(500mA) |
| RANGE<n>? | return the set voltage range of output <n> – response is R<n> <nr1><rmt> where <nr1> has the following meaning: 0=15V(5A), 1=35V(3A), 2=35V(500mA) |
| DELTA V<n> <nrf> | set the output <n> voltage step size to <nrf> Volts |
| DELTA I<n> <nrf> | set the output <n> current step size to <nrf> Amps |
| DELTA V<n>? | return the output <n> voltage step size – response is DELTA V<n> <nr2><rmt> where <nr2> is in Volts. |
| DELTA I<n>? | return the output <n> current step size – response is DELTA I<n> <nr2><rmt> where <nr2> is in Amps. |
| INCV<n> | increment the output <n> voltage by the step size set for output <n> |
| INCV<n>V | increment with verify the output <n> voltage by the step size set for output <n> |
| DECV<n> | decrement the output <n> voltage by the step size set for output <n> |
| DECV<n>V | decrement with verify the output <n> voltage by the step size set for output <n> |
| INCI<n> | increment the output <n> current limit by the step size set for output <n> |
| DECI<n> | decrement the output <n> current limit by the step size set for output <n> |
| OP<n> <nrf> | set output <n> on/off where <nrf> has the following meaning: 0=OFF, 1=ON set <n> to 3 to control the Auxiliary output |
| OPALL <nrf> | Simultaneously sets all outputs on/off where <nrf> has the following meaning: 0=All OFF, 1=ALL ON. If OPALL sets all outputs ON then any that were already on will remain ON If OPALL sets all outputs OFF then any that were already off will remain OFF |
| SENSE<n> <nrf> | set the output <n> sense mode where <nrf> has the following meaning: 0=local, 1=remote |

| | |
|--------------|---|
| MODE <nrf> | <p>set the instrument operating mode to LINK or assign control to output 1 or 2 <nrf> has the following meaning:</p> <p>0 = linked, 1 = assign control to output 1, 2 = assign control to output 2.</p> <p>Setting linked mode uniquely affects the way the instrument responds to some remote commands. Assigning control to outputs 1 or 2 exits linked mode but has no other affect until the instrument is returned to local operation.</p> <p>Any operating mode set in remote operation will be retained when the instrument is returned to local operation..</p> |
| MODE? | <p>return the current operating mode</p> <p>– response is LINKED or CTRL<n> (control assigned to output <n>)</p> |
| TRIPRST | attempt to clear all trip conditions from all outputs |
| LOCAL | go to local |
| LSR<n>? | <p>query and clear LSR<n>, limit status register <n></p> <p>– response is <nr1><rmt></p> |
| LSE<n> <nrf> | set the value of LSE<n>, limit status enable register <n>, to <nrf> |
| LSE<n>? | <p>return the value of LSE<n>, limit status enable register <n></p> <p>– response is <nr1><rmt></p> |
| SAV<n> <nrf> | <p>save the current set-up of PSU<n> to the set-up store specified by <nrf> where <nrf> can be 0-9</p> <p>If the instrument is operating in linked mode then the entire instrument set-up will be stored in the linked mode set-up store specified by <nrf>. The <n> specification is ignored. This has no affect on the individual PSU<n> set-up stores available when not in linked mode</p> |
| RCL<n> <nrf> | <p>recall a set up for PSU <n> from the set-up store specified by <nrf> where <nrf> can be 0-9</p> <p>If the instrument is operating in linked mode then the entire instrument set-up will be recalled from the linked mode set-up store specified by <nrf>. The <n> specification is ignored.</p> |

System and Status Commands

| | |
|------------|---|
| *RST | Resets the instrument to the factory default settings – (see Factory Defaults section) with the exception of all remote interface settings. |
| ER? | Query and clear Execution Error Register. The response format is nr1<rmt>. |
| QER? | Query and clear Query Error Register. The response format is nr1<rmt> |
| *CLS | Clear Status. Clears the Standard Event Status Register, Query Error Register and Execution Error Register. This indirectly clears the Status Byte Register. |
| *ESE <nrf> | Set the Standard Event Status Enable Register to the value of <nrf>. |
| *ESE? | Returns the value in the Standard Event Status Enable Register in <nr1> numeric format. The syntax of the response is <nr1><rmt> |
| *ESR? | Returns the value in the Standard Event Status Register in <nr1> numeric format. The register is then cleared. The syntax of the response is <nr1><rmt> |
| *IST? | Returns ist local message as defined by IEEE Std. 488.2. The syntax of the response is 0<rmt>, if the local message is false, or 1<rmt>, if the local message is true. |

| | |
|------------|---|
| *OPC | Sets the Operation Complete bit (bit 0) in the Standard Event Status Register. This will happen immediately the command is executed because of the sequential nature of all operations. |
| *OPC? | Query Operation Complete status. The syntax of the response is 1<rmt>. The response will be available immediately the command is executed because of the sequential nature of all operations. |
| *PRE <nrf> | Set the Parallel Poll Enable Register to the value <nrf>. |
| *PRE? | Returns the value in the Parallel Poll Enable Register in <nr1> numeric format. The syntax of the response is <nr1><rmt> |
| *SRE <nrf> | Set the Service Request Enable Register to <nrf>. |
| *SRE? | Returns the value of the Service Request Enable Register in <nr1> numeric format. The syntax of the response is <nr1><rmt> |
| *STB? | Returns the value of the Status Byte Register in <nr1> numeric format. The syntax of the response is <nr1><rmt> |
| *WAI | Wait for Operation Complete true. As all commands are completely executed before the next is started this command takes no additional action. |

Miscellaneous Commands

| | |
|----------|---|
| *IDN? | Returns the instrument identification. The exact response is determined by the instrument configuration and is of the form <NAME>,<model>, 0, <version><rmt> where <NAME> is the manufacturer's name, <model> defines the type of instrument and <version> is the revision level of the software installed. |
| ADDRESS? | Returns the bus address of the instrument. The syntax of the response is <nr1><rmt>. |
| *TST? | The PSU has no self test capability and the response is always 0 <rmt> |
| *TRG | The PSU has no trigger capability. |

Calibration Specific Commands

See Service Manual for details of calibration specific commands.

Error Messages

Each error message has a number; only this number is reported via the remote control interfaces. Error message numbers are not displayed but are placed in the Execution Error Register where they can be read via the remote interfaces, see Status Reporting section.

Maintenance

The Manufacturers or their agents overseas will provide a repair service for any unit developing a fault. Where owners wish to undertake their own maintenance work, this should only be done by skilled personnel in conjunction with the service manual which may be purchased directly from the Manufacturers or their agents overseas.

Cleaning

If the instrument requires cleaning use a cloth that is only lightly dampened with water or a mild detergent.

WARNING! TO AVOID ELECTRIC SHOCK, OR DAMAGE TO THE INSTRUMENT, NEVER ALLOW WATER TO GET INSIDE THE CASE. TO AVOID DAMAGE TO THE CASE NEVER CLEAN WITH SOLVENTS.

Calibration

Routine calibration is carried out without opening the instrument.
Allow 10 minute warm-up before commencing calibration.

Equipment Required

A 5.5 digit multimeter with better than 0.02% accuracy on dc volts and better than 0.12% accuracy on dc current (to 5A); alternatively use a precision shunt for current measurement.

Calibration

Assign CONTROL to Output 1. To enter calibration press SHIFT, #, 99. If the instrument is a long way out of calibration, the default calibration values should be loaded first by pressing SHIFT, #, 91. Pressing ESCAPE at anytime will abort the calibration procedure and revert to the stored calibration values.

Having entered calibration mode, follow the table below. To increment to the next step press OK. The calibration **must** be done in sequence. At the end of calibration press OK to store the calibration. The instrument automatically sets the range and settings at each step.

Use the spin-wheel to adjust calibration; holding down the JOG SET OFF key will give x100 increments to speed up calibration. Pressing SHIFT will show the calibration value.

Repeat for Output 2.

| Step/Range | Settings | Adjust for:- | Load | Detail |
|---------------|-----------|-----------------------------|---------------|-------------------|
| 1, 35V 3A | 0.01V 3A | 10mV \pm 0.5mV | DVM | o/p 0V |
| 2, 35V 3A | 0.01V 3A | 0.010V on display | DVM | V readback zero |
| 3, 35V 3A | 35V 3A | 35V \pm 0.5mV | DVM | o/p V span |
| 4, 35V 3A | 35V 3A | 35.000 on display | DVM | V readback span |
| 5, 35V 3A | 0.01V 3A | 10mV \pm 0.5mV | DVM | o/p 0V |
| 6, 35V 3A | 35V 3A | 35V \pm 0.5mV | DVM | o/p V span |
| 7, 35V 3A | 2V 0.001A | 1mA \pm 0.5mA | milli-ammeter | o/p A offset |
| 8, 35V 3A | 2V 0.001A | 0.001 on display | milli-ammeter | A readback zero |
| 9, 35V 500mA | 2V 0.1mA | 0.1mA \pm 0.05mA | milli-ammeter | o/p mA offset |
| 10, 35V 500mA | 2V 0.1mA | flashing 0.0/0.1 on display | milli-ammeter | mA readback zero |
| | | | change load | |
| 11, 15V 5A | 2V 4A | 4A \pm 0.5mA | ammeter | o/p A span |
| 12, 15V 5A | 2V 4A | 4.000 on display | ammeter | A readback span |
| 13, 15V 5A | 2V 4.1A | 4.100 on display | ammeter | A readback 13bit |
| 14, 35V 500mA | 2V 400mA | 400mA \pm 0.05mA | ammeter | o/p mA span |
| 15, 35V 500mA | 2V 400mA | 400.0 on display | ammeter | mA readback span |
| 16, 35V 500mA | 2V 410mA | 410.0 on display | ammeter | mA readback 13bit |

Ce système alimentation est un instrument de classe de sécurité 1 conforme à la classification IEC et il a été conçu pour satisfaire aux exigences de la norme EN61010-1 (Exigences de sécurité pour les équipements électriques de mesure, de contrôle et d'utilisation en laboratoire). Il s'agit d'un instrument de Catégorie II d'installation devant être exploité depuis une alimentation monophasée standard.

Cet instrument a été testé conformément à la norme EN61010-1 et il a été fourni en tout état de sécurité. Ce manuel d'instructions contient des informations et des avertissements qui doivent être suivis par l'utilisateur afin d'assurer un fonctionnement et un état en toute sécurité.

Cet instrument a été conçu pour être utilisé en intérieur, en environnement de pollution de deuxième degré (Pollution degree 2) à des plages de températures de 5°C à 40°C, et à des taux d'humidité compris entre 20% et 80% (sans condensation). Il peut être soumis de temps à autre à des températures comprises entre +5°C et -10°C sans dégradation de sa sécurité. Ne pas l'utiliser en conditions de condensation.

Toute utilisation de cet instrument de manière non spécifiée par ces instructions risque d'affecter sa protection de sécurité. Ne pas utiliser l'instrument hors des plages de tension d'alimentation nominale recommandées ni hors de ses tolérances d'environnement.

AVERTISSEMENT ! CET INSTRUMENT DOIT ETRE RELIE A LA TERRE

Toute interruption du conducteur de la terre du secteur à l'intérieur ou à l'extérieur de l'instrument rendra l'instrument dangereux. Il est absolument interdit de priver intentionnellement l'instrument de son branchement à la terre. La sécurité de l'instrument ne doit pas être annulée par l'utilisation de rallonge sans conducteur de protection.

Lorsque l'instrument est relié au secteur, il est possible que les bornes soient sous tension : l'ouverture des couvercles ou la dépose de pièces (à l'exception des pièces accessibles manuellement) risque de mettre à découvert des pièces sous tension. L'instrument doit être débranché du secteur et de toute source d'alimentation avant tout réglage, remplacement, travaux d'entretien ou de réparations.

Les condensateurs qui se trouvent dans le bloc d'alimentation risquent de rester chargés, même si le bloc d'alimentation a été déconnecté de toutes les sources d'alimentation, mais ils se déchargeront en toute sécurité environ 10 minutes après extinction de l'alimentation.

Eviter dans la mesure du possible d'effectuer des réglages, travaux de réparations ou d'entretien lorsque l'instrument ouvert est branché au secteur. Si cela s'avère toutefois indispensable, seul un technicien compétent connaissant les risques encourus doit effectuer ce genre de travaux.

S'il est évident que l'instrument est défectueux, qu'il a été soumis à des dégâts mécaniques, à une humidité excessive ou à une corrosion chimique, la protection de sécurité est affaiblie : l'instrument doit être retiré de l'exploitation et renvoyé vérifications et de réparations.

Ne remplacer les fusibles que par des fusibles d'intensité nominale requise et du type spécifié. Il est interdit d'utiliser des fusibles "maison" et de court-circuiter des porte-fusibles.

Ne jamais humidifier l'instrument lors du nettoyage.

Les symboles suivants se trouvent sur l'instrument, ainsi que dans ce manuel.



Borne de terre (masse)



alimentation secteur ON (allumée)



courant continu (c.c.)



alimentation secteur OFF (éteinte)

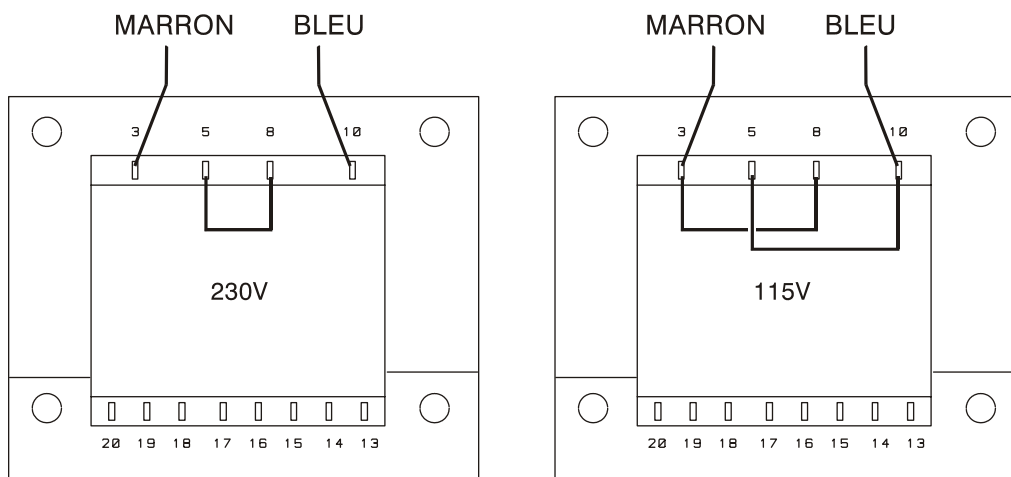


courant alternatif (c.a.)

Installation

Vérifier que la tension de fonctionnement de l'instrument portée sur le panneau arrière convient à l'alimentation locale. En cas de nécessité de changer de tension de fonctionnement, procéder comme suit :

- 1) Déconnecter l'instrument de toutes les sources de tension.
- 2) Déposer les vis qui retiennent le couvercle supérieur et soulever ce dernier.
- 3) Modifier les connexions sur les deux transformateurs en suivant le schéma approprié ci-dessous :



- 4) Remonter le couvercle et le fixer à l'aide des mêmes vis.
- 5) Pour se conformer aux exigences des normes de sécurité, la tension de fonctionnement portée sur le panneau arrière doit être modifiée pour indiquer clairement le réglage de tension.
- 6) Remplacer le fusible par un fusible du bon calibre, voir ci-dessous.

Fusible

Le fusible CA se trouve dans le tiroir porte-fusible dans la partie inférieure du connecteur d'entrée IEC. Pour changer de fusible, retirer le cordon et ouvrir le tiroir porte-fusible à l'aide d'un outil adapté.

Le type correct de fusible secteur est 20 x 5mm 250V HBC à retardement, avec le calibre suivant:

Pour un fonctionnement à 230V : 2A (T) 250V HBC

Pour un fonctionnement à 115V : 4A (T) 250V HBC

Veiller à n'utiliser que des fusibles de l'ampérage requis et du type spécifié pour le remplacement. L'utilisation de fusibles de fortune et la mise en court-circuit des portes-fusibles sont interdites.

Cordon secteur

Lorsqu'un cordon secteur à trois fils à extrémités dénudées est fourni, il devra être connecté comme suit :

Marron - Phase secteur
Bleu - Neutre secteur
Vert / jaune - Terre secteur

AVERTISSEMENT ! CET INSTRUMENT DOIT ETRE RELIE A LA TERRE

Toute interruption du conducteur de terre secteur à l'intérieur ou à l'extérieur de l'instrument rendra l'instrument dangereux. L'interruption intentionnelle est interdite. L'action de protection ne doit pas être anéantie par l'utilisation d'une rallonge sans conducteur de protection.

Montage

Cet instrument convient à la fois à l'utilisation sur établi et au montage en baie. Il est livré avec des pieds pour le montage sur établi. Les pieds avant comprennent un mécanisme de basculement pour obtenir l'angle optimal du panneau.

Un kit baie est disponible auprès des constructeurs ou de leurs agents à l'étranger pour le montage des unités d'alimentation électrique série XDL. La baie acceptera 1, 2 ou 3 unités simples ou une unité triple et une simple ; une pièce d'obturation est également disponible pour les positions non-utilisées de la baie.

Ventilation

L'alimentation électrique est refroidie par un ventilateur intelligent à vitesses multiples qui ventile à l'arrière. Prendre soin de ne pas limiter les arrivées d'air sur les panneaux latéraux ou la sortie d'air à l'arrière. Dans les situations de montage en baie, laisser un espace adéquat autour de l'instrument et/ou utiliser un bloc ventilateur pour un refroidissement forcé.

Connexions

Connexions du panneau avant

Les charges devront être connectées aux bornes positive (rouge) et négative (noire) repérées OUTPUT 1, OUTPUT 2, ou AUXILIARY.

Les connexions de détection à distance aux charges sur les Sorties 1 ou 2, si nécessaire, se font à partir des bornes de détection à distance REMOTE SENSE positive (+) et négative (–) correspondantes. Le fonctionnement en détection à distance est sélectionné à partir du clavier ou par l'intermédiaire d'une interface de télécommande (XDL 35-5TP seulement) ; le témoin REMOTE SENSE est allumé lorsque la détection à distance est sélectionnée. Eteindre la détection à distance renvoie l'instrument à la détection locale sur les bornes de sortie.

La borne marquée  est connectée au châssis et à la terre de sécurité.

Connexions du panneau arrière

Bornes de sorties auxiliaires

Les bornes AUXILIARY OUTPUT du panneau avant sont doublées sur le panneau arrière avec des bornes sans vis portant les repères AUXILIARY OUTPUT.

Bornes de sorties principales (XDL 35-5TP seulement)

Les bornes de sortie et de détection sont doublées sur le bornier à vis du panneau arrière avec les repères Output +, Output –, Sense + et Sense – ; ces connexions sont en parallèle avec leurs équivalents du panneau avant.

Le fonctionnement en détection à distance est sélectionné à partir du clavier ou par l'intermédiaire d'une interface de télécommande. Si l'on utilise les bornes du panneau arrière, la détection à distance devra toujours être sélectionnée pour assurer que la régulation de sortie sera maintenue dans les spécifications.

RS232 (XDL 35-5TP seulement)

Connecteur type D 9 broches compatible avec l'utilisation du RS232 adressable. La connexion des broches est indiquée ci-dessous :

| Broche | Nom | Description |
|--------|------|-------------------------------------|
| 1 | – | Pas de connexion interne |
| 2 | TXD | Données transmises par l'instrument |
| 3 | RXD | Données reçues à l'instrument |
| 4 | – | Pas de connexion interne |
| 5 | GND | Terre du signal |
| 6 | – | Pas de connexion interne |
| 7 | RXD2 | Données secondaires reçues |
| 8 | TXD2 | Données secondaires transmises |
| 9 | GND | Terre du signal |

Les broches 2, 3 et 5 peuvent être utilisées comme interface RS232 conventionnelle avec établissement de liaison XON/XOFF. Les broches 7, 8 et 9 sont en outre utilisées lorsque l'instrument est utilisé en mode RS232 adressable. Les terres de signaux sont connectées à la masse de l'instrument. L'adresse RS232 est réglée à partir du clavier.

GPIB (XDL 35-5TP seulement)

L'interface GPIB n'est pas isolée ; les terres des signaux GPIB sont connectées à la masse de l'instrument.

Les sous-ensembles mis en œuvre sont :

SH1 AH1 T6 TE0 L4 LE0 SR1 RL1 PP1 DC1 DT1 C0 E2

L'adresse GPIB est réglée à partir du clavier.

USB (XDL 35-5TP seulement)

Le port USB est connecté à la masse de l'instrument. Il accepte les câbles USB standard. Les fonctions "plug-and-play" de Windows devraient automatiquement reconnaître le fait que l'instrument a été connecté.

Sorties d'alarme

Associés à chaque sortie principale, il existe des connecteurs à 2 broches en retrait portant le repère Alarme. Ils fournissent l'accès à un transistor de commutation NPN opto-isolé, dont la fonction peut être réglée au clavier ; voir la section Alarmes de ce manuel.

La tension maximale de fonctionnement qui peut être appliquée entre les bornes est de 20V CC et l'intensité maximale absorbée pour la 'fermeture' de l'interrupteur est de 1mA.



Ne pas appliquer entre les bornes de tensions externes dépassant 30V CC.

Utilisation initiale

Cette section du manuel est une introduction générale aux commandes et au fonctionnement de l'instrument et est censée être lue avant d'utiliser le générateur pour la première fois.

Dans ce manuel, les touches, connexions et indicateurs d'affichage du panneau avant sont présentés en lettres capitales, par ex. STORE (enregistrer), ESCAPE (échap.), OUTPUT (sortie), JOG (avance pas à pas). Les messages présentés sur l'afficheur à 7 segments sont imprimés dans une police différente, par ex. **StorE**, **GPIb**, **trIP** en majuscules ou minuscules pour représenter les caractères tels qu'ils apparaissent sur l'afficheur à 7 segments.

Mise en marche, Marche/Arrêt de sortie

L'interrupteur d'alimentation se trouve en bas à gauche du panneau avant.

A la mise sous tension, le comportement par défaut est la restauration des réglages de l'instrument tels qu'ils ont été automatiquement sauvegardés lors de la mise hors tension de l'appareil, mais avec toutes les Sorties toujours coupées. Cependant, l'utilisateur peut modifier le paramètre par défaut de façon à ce que les Sorties sélectionnées soient restaurées à la mise sous tension à leur statut à la mise hors tension, voir la section Fonctions Supplémentaires.

Les sorties CC sont commutée de façon électronique avec leurs touches ON/OFF (Marche/Arrêt) respective ; la touche s'allume quand la sortie est active. De plus, toutes les sorties peuvent être activées ou désactivées à l'aide des touches ALL ON (marche tout) et ALL OFF (arrêt tout).

Commutation Marche/Arrêt synchronisée des sorties

Appuyer sur ALL OFF à tout moment va couper de façon synchronisée toutes les sorties actives; dans les mêmes conditions de charge, les sorties se couperont en general en 1ms les unes des autres. Une fois toutes les sorties coupées la touche ALL OFF s'allume en vert. Appuyer sur la touche ALL ON lorsque toutes les sorties sont coupées va toutes les activer de façon synchronisée ; les sorties dont les réglages et les conditions de charge sont identiques s'allumeront en general en 1ms les unes des autres. Cependant, si une sorties est déjà active, appuyer sur ALL ON activera le reste des sorties mais le délai d'allumage entre les sorties pourra atteindre 80ms, même avec les mêmes réglages de sortie et les mêmes conditions de charge.

Clavier

Seuls les principes de fonctionnement sont définis ici, le réglage des paramètres individuels est donné en détail dans les sections ultérieures.

La considération essentielle dans la conception de l'interface utilisateur a été de rendre les changements de réglages aussi 'sûrs' que possible (c'est à dire avec un risque minime d'appliquer accidentellement des tensions excessives à un système cible) tout en parvenant à la facilité d'utilisation. Ceci a été réalisé en demandant à l'utilisateur de confirmer (OK) les nouveaux réglages numériques, avec l'option ESCAPE pour s'échapper à tout moment ou même simplement marquer une pause jusqu'à ce que l'opération arrive à échéance et que l'instrument retourne à ses réglages d'origine.

De plus un bruiteur, des touches illuminées, des indicateurs à DEL et des messages à l'affichage invitent, guident ou avertissent l'utilisateur de façon à minimiser les erreurs de saisie ou de commande. Lorsque certaines de ces caractéristiques (par ex. bips ou indicateurs clignotants) sont considérées inutiles par les utilisateurs réguliers, il existe l'option de les désactiver, voir la section Fonctions supplémentaires.

La possibilité de changer les réglages au clavier ou en utilisant les commandes d'avance pas à pas est assignée à la sortie 1, la sortie 2 ou les deux en utilisant les touches ◀ CONTROL ▶ 1, 2 ou LINK respectivement. La touche (1 ou 2) associée à la sortie sélectionnée s'allume pour montrer quelle sortie est sous contrôle. En mode LINK, liaison, (les deux touches allumées) les deux sorties sont contrôlées en même temps, y compris certaines des opérations accessibles avec la touche Shift (RANGE, STORE, RECALL et V x A). Les plus amples descriptions qui suivent s'appliquent à l'une ou l'autre des sorties principales ou aux deux le cas échéant pour le réglage indiqué par l'éclairage des touches ◀ CONTROL ▶.

Dans les conditions normales, le clavier numérique est désactivé ; le bruiteur émettra un double bip si l'on appuie sur une touche, indiquant une opération illégale. Pour régler la tension ou l'intensité avec le clavier, appuyer sur la touche NUMERIC SET V ou I (réglage numérique) ; l'affichage approprié donne 0,000V ou 0,000A, le chiffre à gauche de la virgule décimale clignotant. Les chiffres sont saisis en réponse à l'invite clignotante, ainsi que la virgule décimale au moment approprié, et la saisie est confirmée avec la touche OK. Si l'on n'appuie pas sur la touche OK dans les 10 secondes qui suivent l'utilisation de la dernière touche numérique, la saisie est annulée et l'affichage revient à sa présentation d'origine. Si l'on appuie sur ESCAPE n'importe où dans la procédure de saisie, la saisie est annulée et l'affichage revient à sa présentation d'origine.

La touche OK est utilisée pour confirmer la plupart des entrées au clavier. Le reste du temps, elle devient la touche VIEW V/I LIMITS (voir les limites V/I) et appuyer sur cette touche affichera la limite de tension et d'intensité de sortie pré-réglées pendant 3 secondes ; durant cette période, l'indicateur LIM clignote sur l'afficheur.

Appuyer sur SHIFT illumine la touche et donne accès aux fonctions marquées au-dessus des touches numériques (par ex. STORE, RECALL (rappeler), etc.). Lorsque l'on sélectionne une fonction en appuyant sur l'une de ces touches, SHIFT est annulé (la touche SHIFT n'est plus allumée). Les actions sur les autres touches nécessaires pour mener à bien la fonction sélectionnée sont décrites en détail dans les sections qui suivent ; si aucune touche n'est actionnée dans les 10 secondes pour réaliser la fonction, celle-ci prend fin comme si l'on avait appuyé sur ESCAPE. SHIFT est une touche à basculement : appuyer de nouveau sur SHIFT quand elle a été sélectionnée annule son effet. SHIFT est également annulé par ESCAPE, ou en appuyant sur SET V (régler V) ou SET I (régler I). Noter qu'en mode LINK les réglages accessibles avec STORE et RECALL sont spécifiques au mode LINK et s'ajoutent à ceux accessibles lorsque STORE et RECALL sont utilisées sur les sorties sélectionnées individuellement.

Commande pas à pas

La commande rotative 'pas à pas' permet d'incrémenter ou de décrémenter la limite de tension ou d'intensité de sortie par pas avec une résolution réglée par les touches JOG SET (régler pas à pas) ; la sortie suit immédiatement le réglage, c'est à dire qu'il n'y a pas besoin de OK.

A la mise sous tension, la fonction pas à pas est toujours désactivée. Pour régler pas à pas la tension ou l'intensité, appuyer sur la touche JOG SET V ou I ; la touche s'illumine et l'indicateur JOG va clignoter sous le chiffre qui a été utilisé le dernier en pas à pas. Tant que la touche JOG SET V ou I est allumée, chaque nouvel appui sur la touche V ou I déplace l'indicateur JOG d'un chiffre sur la gauche ; la sélection 'tourne sur elle-même' de telle sorte que, quand la plus grande valeur d'incrément pas à pas a été atteinte, l'appui suivant la renvoie à la plus basse. La position par défaut à la mise sous tension est sous le chiffre le moins significatif, c'est à dire que le plus faible incrément pas à pas est sélectionné.

Tourner la molette rotative dans le sens horaire ou antihoraire incrémente ou décrémente le chiffre sélectionné ; les chiffres à gauche de celui qui est réglé pas à pas sont automatiquement incrémentés ou décrementés lorsque le point de passage à la dizaine supérieure ou inférieure est franchi. Les chiffres à droite de celui que l'on règle pas à pas restent inchangés jusqu'à ce que le réglage pas à pas franchisse le maximum ou le minimum de la plage, auquel cas ils sont réglés à zéro. Par exemple, 33,65V passe à 34,65V puis à 35,00V pour la plage 35V avec un incrément pas à pas de 1V ; 0,160A passe à 0,060A puis à 0,001A pour un décrément pas à pas de 0,1A.

Les pas de réglage que l'on peut sélectionner sont 1mV, 10mV, 100mV et 1mA, 10mA, 100mA; si la plage 35V/500mA a été sélectionné, les pas d'incrémentation d'intensité seront 0,1mA, 1mA, 10mA.

Pour désactiver la molette rotative pas à pas, appuyer sur la touche JOG SET OFF (désactivation du pas à pas) ; resélectionner JOG SET V ou I permettra de revenir en pas à pas sur la position du dernier chiffre utilisé. Le pas à pas n'est pas annulé par l'utilisation de la saisie numérique ni par une des fonctions SHIFT, mais il est désactivé tant que cette fonction est activée.

Lorsque l'instrument est en mode de tension constante avec la sortie sur la droite, l'affichage montre l'intensité réelle plutôt que la limite d'intensité. Si on sélectionne JOG SET I, l'indicateur JOG va clignoter à mi-vitesse sous le chiffre sélectionné (clignotement 'paresseux'). Pour observer l'effet du réglage pas à pas de la limite d'intensité, il sera nécessaire soit de couper la sortie (de façon à ce que l'affichage montre de façon permanente la limite de sortie), soit appuyer sur VIEW V/I LIMITS, ce qui provoque l'affichage de la limite d'intensité encore 3 secondes après que le mouvement de la molette pas à pas cesse. Le clignotement 'paresseux' est également utilisé lorsque JOG SET V a été sélectionné et que la tension réelle est présentée parce que l'alimentation a atteint la limite d'intensité.

Le réglage par défaut d'usine est le clignotement de l'indicateur JOG sous le chiffre sélectionné tout le temps que le réglage pas à pas est sélectionné, de façon à rappeler constamment à l'utilisateur le paramètre qui peut être incrémenté ou décrétement. Lorsque ce degré de rappel est considéré inadéquat, l'utilisateur peut sélectionner, à l'aide des Fonctions supplémentaires, de faire clignoter le chiffre lui-même ; à l'opposé, lorsque le clignotement est considéré intrusif, l'utilisateur peut choisir de ne pas faire clignoter l'indicateur JOG (excepté lorsque le clignotement 'paresseux' est utilisé).

Affichage

Les affichages montrent la tension sur la gauche (5 chiffres) et l'intensité sur la droite (4 chiffres) pour les deux sorties principales. Ces affichages à 7 segments sont également utilisés pour présenter des invites lors de certains réglages de fonctions (par ex. l'enregistrement ou le rappel en mémoire ou le réglage d'adresses de télécommande) à l'aide du 'jeu de caractères' limité qui peut être obtenu avec un affichage à 7 segments ; il s'agit nécessairement d'un mélange de lettres majuscules et minuscules.

Au-dessus et au-dessous de l'affichage à 7 segments se trouvent plusieurs avertisseurs secrets jusqu'à ce qu'ils s'allument. Sur la droite, au-dessus de l'affichage d'intensité, se trouvent des indicateurs qui donnent la plage de fonctionnement sélectionnée : 35V/3A, 15V/5A ou 35V/500mA ; les indicateurs s'allument sous la plage inscrite immédiatement au-dessus d'eux et, dans le cas de la plage 35V/500mA, l'indicateur est marqué mA pour mettre l'accent sur le fait que l'affichage d'intensité est maintenant présenté en mA. Les autres avertisseurs au-dessus des affichages sont : CI, indiquant que l'instrument est en mode d'intensité constante ; LIM, qui clignote lorsque l'on actionne la touche VIEW V/I LIMITS pour voir la limite de tension/intensité réglée à l'affichage ; REM, qui s'allume lorsque l'instrument est sous le contrôle d'une interface distante (XDL 35-5TP seulement).

Au-dessous des trois chiffres les moins significatifs des affichages de tension et d'intensité, se trouvent les indicateurs JOG ; l'indicateur approprié clignote lorsque la fonction de réglage pas à pas est utilisée, voir la section Commande pas à pas ci-dessus.

Fonctionnement manuel

Les nouveaux utilisateurs devront d'abord lire le chapitre Utilisation initiale qui décrit les principes de fonctionnement du clavier et de la molette de commande pas à pas. Les paragraphes suivants décrivent le fonctionnement indépendant de l'une ou l'autre sortie principale. Pour sélectionner la sortie qui doit être contrôlée par le clavier ou les commandes pas à pas, il est d'abord nécessaire de sélectionner cette sortie en appuyant sur la touche ◀ CONTROL ▶ appropriée (1 ou 2) ; la touche s'allume pour montrer qu'il s'agit de la sortie sélectionnée.

Les fonctions supplémentaires disponibles en mode LINK (les deux sorties principales sélectionnées) sont décrites dans la section Sorties principales – mode Link plus loin dans ce manuel.

Réglage de la tension

L'affichage de gauche montre la tension réglée avec une résolution de 1mV, excepté quand l'instrument est en mode d'intensité constante (CI). En mode CI, la tension de sortie réelle (qui sera inférieure à la tension réglée) est indiquée, et la résolution d'affichage est de 10mV ; le chiffre le moins significatif (résolution 1mV) est toujours affiché sous forme d'un zéro.

La tension peut être réglée directement à partir du clavier numérique : appuyer sur la touche NUMERIC SET V (réglage numérique de tension), entrer la nouvelle valeur à l'aide des touches numériques et confirmer en appuyant sur OK. Les grands principes de la saisie au clavier sont expliqués au chapitre Utilisation initiale, qui devra être lu par les nouveaux utilisateurs.

Lorsque l'on appuie sur SET V, l'affichage donne 0,000 ; une nouvelle tension est alors saisie (par ex. 12,345V est saisi sous la forme 1, 2, ., 3, 4, 5) et confirmé par OK. La position de la virgule décimale à l'affichage est fixe pour réduire le risque de saisir une mauvaise valeur. En conséquence, et pour éviter de devoir saisir les zéros non-significatifs (par ex. 2,345V est saisi sous la forme 2, ., 3, 4, 5, OK), les nombres à gauche de la virgule décimale sont présentés de façon légèrement différente des nombres à droite de la virgule décimale lors de la saisie ; ceci est évident lors de la saisie des nombres.

Le réglage minimum de tension est 0,000V ; le réglage maximum est 35,000V (15,000V sur la plage 15V/5A).

Appuyer à n'importe quel moment sur OK programmera la tension saisie, tous les chiffres restant étant réglés à zéro, par ex. 1, 2, ., 3, OK programmera 12,300V ; 1, OK programmera 1,000V ; appuyer sur OK immédiatement après SET V (tandis que l'affichage indique 0,000V) programmera 0,000V.

Appuyer à n'importe quel moment sur ESCAPE au cours de la séquence, ou ne plus appuyer sur aucune touche pendant les 10 secondes qui suivent l'action précédente renverront l'affichage à sa lecture d'origine avant que la touche SET V ait été actionnée.

Saisir une tension hors du maximum de la plage (y compris essayer de saisir 3 chiffres avant la virgule) ou essayer de saisir plus de 5 chiffres provoquera un double bip du bruiteur ; la dernière touche actionnée sera ignorée.

La tension peut également être réglée à l'aide de la commande pas à pas. Appuyer sur JOG SET V va illuminer la touche V et l'indicateur JOG va clignoter sous le chiffre qui a été réglé pas à pas le dernier. Tant que la touche V est allumée, chaque appui suivant sur va déplacer l'indicateur JOG d'un chiffre sur la gauche ; la sélection 'tourne sur elle-même' de telle sorte que, quand la plus grande valeur d'incrément pas à pas a été atteinte, l'appui suivant la renvoie à la plus basse. La position par défaut à la mise sous tension est sous le chiffre le moins significatif, c'est à dire que le plus faible incrément pas à pas est sélectionné. Les pas qui peuvent être sélectionnés sont 1mV, 10mV et 100mV.

La fonction pas à pas étant activée, la tension de sortie peut être incrémentée ou décrémentée avec la molette de commande pas à pas, avec une résolution de pas indiquée par la position de l'indicateur JOG clignotant. La sortie suit immédiatement le réglage, c'est à dire qu'il n'y a pas besoin de valider par OK. Si la sortie passe en mode d'intensité constante (indiquée par l'indicateur CI clignotant) l'affichage de gauche montre la tension réelle et non la tension réglée.

Si JOG SET V est sélectionné, l'indicateur JOG sous le chiffre sélectionné va clignoter à mi-vitesse (clignotement 'paresseux'). Pour observer l'effet du réglage pas à pas de la tension réglée, il sera nécessaire soit de couper la sortie (de façon à ce que l'affichage montre de façon permanente la tension réglée), soit d'appuyer sur VIEW V/I LIMITS, ce qui provoque l'affichage de la tension réglée encore 3 secondes après que le mouvement de la molette pas à pas cesse.

Noter qu'en mode d'intensité constante, la tension réelle est mesurée et affichée à une résolution de seulement 10mV ; le chiffre 1mV affiche zéro de façon permanente.

Davantage de détails sur la commande pas à pas sont donnés dans le chapitre Utilisation initiale.

Réglage de la limite d'intensité

La sortie étant coupée, l'affichage de droite montre la limite d'intensité avec une résolution de 1mA (0,1mA sur la plage 35V/500mA).

La limite d'intensité peut être réglée directement à partir du clavier numérique : appuyer sur la touche NUMERIC SET I (réglage numérique d'intensité), entrer la nouvelle valeur à l'aide des touches numériques et confirmer en appuyant sur OK. Les grands principes de la saisie au clavier sont expliqués au chapitre Utilisation initiale, qui devra être lu par les nouveaux utilisateurs.

Lorsque l'on appuie sur SET I, l'affichage donne 0,000 ; une nouvelle intensité est alors saisie (par ex. 1,234A est saisi sous la forme 1, ·, 2, 3, 4) et confirmé par OK. La position de la virgule décimale à l'affichage est fixe pour réduire le risque de saisir une mauvaise valeur. En conséquence, et pour éviter de devoir saisir les zéros non-significatifs (par ex. 0,234A est saisi sous la forme , ·, 2, 3, 4, OK), les nombres à gauche de la virgule décimale sont présentés de façon légèrement différente des nombres à droite de la virgule décimale lors de la saisie ; ceci est évident lors de la saisie des nombres.

Le réglage minimum de tension est 0,001A (0,1mA sur la plage 500mA) ; le réglage maximum est 3,000A, 5,000A ou 500,0mA, selon la plage, c'est à dire qu'il n'y pas de capacité de dépassement de plage.

Appuyer à n'importe quel moment sur OK programmera l'intensité saisie, tous les chiffres restant étant réglés à zéro, par ex. 1, ·, 2, OK programmera 1,230A ; 1, OK programmera 1,000A ; appuyer sur OK immédiatement après SET I (tandis que l'affichage indique 0,000A) programmera 0,001A.

Appuyer à n'importe quel moment sur ESCAPE au cours de la séquence, ou ne plus appuyer sur aucune touche pendant les 10 secondes qui suivent l'action précédente renverront l'affichage à sa lecture d'origine avant que la touche SET I ait été actionnée.

Saisir une valeur hors du maximum de la plage (y compris essayer de saisir 2 chiffres avant la virgule) ou essayer de saisir plus de 4 chiffres provoquera un double bip du bruiteur ; la dernière touche actionnée sera ignorée.

La limite d'intensité peut également être réglée à l'aide de la commande pas à pas. Appuyer sur JOG SET I va illuminer la touche I et l'indicateur JOG va clignoter sous le chiffre qui a été réglé pas à pas le dernier. Tant que la touche I est allumée, chaque appui suivant sur va déplacer l'indicateur JOG d'un chiffre sur la gauche ; la sélection 'tourne sur elle-même' de telle sorte que, quand la plus grande valeur d'incrément pas à pas a été atteinte, l'appui suivant la renvoie à la plus basse. La position par défaut à la mise sous tension est sous le chiffre le moins significatif, c'est à dire que le plus faible incrément pas à pas est sélectionné. Les pas qui peuvent être sélectionnés sont 1mA, 10mA et 100mA (0,1mA, 1mA et 10mA sur la plage 35V/500mA).

La fonction pas à pas étant activée, la limite d'intensité peut être incrémentée ou décrémentée avec la molette de commande pas à pas, avec une résolution de pas indiquée par la position de l'indicateur JOG clignotant. La sortie suit immédiatement le réglage, c'est à dire qu'il n'y pas besoin de valider par OK. La sortie sur l'affichage de droite indiquant l'intensité réelle, et non la limite d'intensité (excepté en mode d'intensité constante). Si JOG SET I est sélectionné, l'indicateur JOG sous le chiffre sélectionné va clignoter à mi-vitesse (clignotement 'paresseux'). Pour observer l'effet du réglage pas à pas de la limite d'intensité, il sera nécessaire soit de

couper la sortie (de façon à ce que l'affichage montre de façon permanente la limite d'intensité), soit d'appuyer sur VIEW V/I LIMITS, ce qui provoque l'affichage de la limite d'intensité encore 3 secondes après que le mouvement de la molette pas à pas cesse.

Sortie d'intensité instantanée

La commande de limite d'intensité peut être réglée pour limiter l'intensité de sortie continue à des niveaux descendant jusqu'à 1mA (0.1 mA sur la plage 500mA). Cependant, communément à tous les générateurs de précision d'établi, un condensateur est connecté sur la sortie pour conserver la stabilité et une bonne réponse aux défauts transitoires. Ce condensateur se charge sur la tension de sortie et une mise en court-circuit de la sortie produira une impulsion d'intensité à la décharge du condensateur, ce qui ne dépend pas du réglage de limite d'intensité.

Sélection des plages

L'instrument possède trois plages : 35V/3A, 15V/5A et 35V/500mA. La plage sélectionnée est signalée par un indicateur lumineux sous la légende appropriée en haut à droite de l'instrument; quand on sélectionne la plage 35V/500mA, la légende de l'indicateur est mA pour mettre l'accent sur le fait que l'ampèremètre indique maintenant des milliampères et non des Ampères.

Pour changer de plage, appuyer sur SHIFT suivi de ◀ RANGE ou RANGE ▶ (plage inférieure ou supérieure) ; chaque appui sur ◀ RANGE sélectionne la plage suivante sur la gauche ; chaque appui sur RANGE ▶ sélectionne la plage suivante sur la droite ; il n'y a pas 'd'enroulement sur elles-mêmes' de ces fonctions. Lorsque la plage change, l'indicateur qui représente la nouvelle plage et la touche OK clignotent ; appuyer sur OK programme la nouvelle plage. Pour quitter sans changer de plage, appuyer sur ESCAPE. Appuyer sur n'importe quelle autre clé tant que l'instrument est en mode de changement de plage provoquera l'émission de deux bips par le bruiteur ; aucune autre action n'est effectuée. Si l'on n'appuie pas sur OK dans les 10 secondes qui suivent le dernier appui sur la touche de changement de plage, la sélection de plage reste inchangée.

La plage ne peut être changée que quand la sortie est coupée. Appuyer sur les touches ◀ RANGE ou RANGE ▶ avec la sortie active fera clignoter la touche ON/OFF (marche/arrêt) de la sortie (ainsi que la touche OK). La sortie peut être coupée avec la touche ON/OFF et la plage peut alors être changée en appuyant sur OK, ou bien on pourra appuyer directement sur OK, auquel cas la sortie est automatiquement coupée, ce qui permet ensuite de changer de plage.

Si un changement de plage fait dépasser au réglage de tension ou de limite d'intensité le maximum correspondant de la nouvelle plage, le changement de plage est accepté mais le réglage est ramené à égalité avec le maximum de la nouvelle plage.

Noter que le réglage OVP (protection contre les surtensions) n'est pas modifié lorsque l'on change de plage (par ex. un réglage OVP de 38V reste valide sur la plage 15V) ; il appartient à l'utilisateur de modifier indépendamment le réglage OVP si nécessaire.

Connexion à la charge

La charge devra être connectée aux bornes OUTPUT (sortie) positive (rouge) et négative (noire). Les deux sont entièrement flottantes et l'une ou l'autre peuvent être connectées à la masse.

Détection à distance

L'instrument possède une très faible impédance de sortie, mais celle-ci est inévitablement augmentée par la résistance des fils de raccordement. A hautes intensités, ceci peut se traduire par des différences significatives entre la tension source indiquée et la tension réelle de la charge (deux fils de raccordement de 20mΩ chuteront de 0,2V à 5 A, par exemple). Ce problème peut être minimisé en utilisant des fils de raccordement courts et épais, mais lorsque cela s'avère nécessaire, on peut le surmonter complètement en utilisant la capacité de détection à distance.

Ceci nécessite de connecter les bornes de détection à la sortie sur la charge plutôt que sur la source ; insérer les fils dans les bornes à ressort REMOTE SENSE (détection à distance) et les connecter directement à la charge.

Sélectionner la détection à distance en appuyant sur SHIFT, SENSE ; la touche OK clignote et le témoin au-dessus des bornes de détection à distance s'allume pour montrer que la détection à distance sera sélectionnée si l'on appuie sur OK. Appuyer sur OK pour confirmer ; appuyer sur ESCAPE pour quitter sans changer d'état. La détection à distance est désactivée en appuyant de nouveau sur SHIFT, SENSE ; la touche OK clignote et le témoin au-dessus des bornes de détection à distance s'éteint pour montrer que la détection locale sera restaurée si l'on appuie sur OK. Appuyer sur OK pour confirmer ; appuyer sur ESCAPE pour quitter sans changer d'état.

Pour éviter les problèmes d'instabilité et de réponse aux défauts transitoires, il convient de prendre soin de réaliser un bon couplage entre chaque fil de sortie et de détection. Cela peut se faire en torsadant les fils l'un avec l'autre ou en utilisant un câble blindé coaxialement (détection passant par le conducteur intérieur). Un condensateur électrolytique placé directement sur le point de connexion de la charge peut également s'avérer avantageux.

La chute de tension dans chaque fil de sortie ne doit pas dépasser 0,5 Volts.

Le XDL 35-5TP dispose de bornes de sortie et de détection sur le panneau arrière, appropriées lorsque l'instrument est utilisé en baie. Les bornes de détection du panneau arrière devront toujours être utilisées avec les connexions de sortie du panneau arrière.

Déclenchement sur défaut de câblage de détection

La sortie sera désactivée si la tension entre une borne de sortie et sa borne de détection correspondante dépasse environ 1V ; ceci se produira si les fils de détection sont câblés à la charge sur la mauvaise sortie ou si l'on tente de prendre une alimentation sur les fils de détection.

Si les bornes de détection présentent des défauts de câblage de ce type, l'affichage envoie le message **SENSE trip** et la sortie est coupée. Appuyer sur ESCAPE à cet instant supprime le message et l'affichage montre ensuite la tension et la limite d'intensité préréglées. Une fois la cause du déclenchement corrigée, la sortie peut être réactivée.

Connexion en série ou en parallèle avec d'autres sorties

Les sorties du générateur sont entièrement flottantes et peuvent être utilisées en série avec d'autres générateurs pour produire des tensions CC allant jusqu'à 300V CC.

La tension maximale admissible entre n'importe quelle borne et la terre (\perp) est de 300V CC.

AVERTISSEMENT ! De telles tensions sont excessivement dangereuses et un grand soin devra être apporté à la protection des bornes pour une telle utilisation. En aucun cas on ne devra toucher les bornes de sortie lorsque le générateur est allumé pour une telle utilisation. Tous les branchements aux bornes doivent être établis avec tous les appareils hors tension.

Il convient de noter que le générateur ne peut que produire du courant et non en absorber, ainsi les générateurs ne peuvent être connectés en série en anti-phase.

L'appareil peut être connecté en parallèle avec d'autres pour produire des courants plus forts. Lorsque plusieurs appareils sont connectés en parallèle, la tension de sortie sera égale à celle du générateur ayant le plus grand réglage de sortie, jusqu'à ce que le courant consommé dépasse son réglage de limite d'intensité, moment auquel la sortie tombera au réglage le plus élevé suivant, et ainsi de suite. En mode d'intensité constante, les appareils peuvent être connectés en parallèle pour fournir une intensité égale à la somme des réglages de limite d'intensité.

Noter que les bornes de sortie sont calibrées à 15A maximum ; si plusieurs sorties sont exploitées en parallèle pour fournir des intensités supérieures à cette dernière, la jonction devra être effectuée en un point séparé, et non sur l'une des bornes.

Protection contre les surtensions

La protection contre les surtensions (OVP) peut être réglée de 1,0V à 40V. Si la tension de sortie dépasse l'OVP réglée, la sortie est immédiatement coupée (en général dans les 100 μ s), évitant ainsi l'endommagement du circuit testé. Le circuit OVP protégera contre les réglages de tension excessive accidentels à partir du panneau avant ou par l'intermédiaire d'interfaces de télécommande, de tensions externes imprimées sur les bornes de sortie ou d'une défaillance du circuit de commande de l'instrument lui-même.

Pour régler OVP, appuyer sur SHIFT, OVP ; l'indicateur JOG à pas de 100mV va commencer à clignoter et la molette rotative de réglage pas à pas peut être utilisée pour incrémenter ou décrémenter le réglage OVP par pas de 100mV. Appuyer sur OK pour confirmer le nouveau réglage ; pour quitter sans saisir une nouvelle valeur, appuyer sur ESCAPE. Le réglage par défaut d'usine est de 40,0V.

Si l'OVP se déclenche, l'affichage présente le message **OVP trip** et la sortie est coupée. Appuyer sur ESCAPE à cet instant supprime le message et l'affichage montre ensuite la tension et la limite d'intensité pré-réglées. Une fois la cause de l'OVP éliminée (ou la limite d'OVP modifiée), la sortie peut être réactivée.

Noter que le réglage OVP ne change pas quand on change de plage (par ex. un réglage OVP de 38V reste valide sur la plage 15V) ; il appartient à l'utilisateur de modifier indépendamment le réglage OVP si nécessaire.

Noter aussi qu'il est possible et valide de régler l'OVP sous la tension réglée. Si l'alimentation est en mode d'intensité constante, la tension de sortie sera inférieure à la tension réglée ; l'OVP pourra être réglée de façon à ce qu'elle soit supérieure à la tension de sortie réelle mais inférieure à la tension réglée. Ceci pourra être utilisé pour déclencher la sortie en condition de défaut ayant provoqué l'augmentation de l'impédance de la charge et par conséquent la montée de la tension de sortie réelle au-dessus du point d'OVP.

Protection contre les surintensités

La protection contre les surintensités (OCP) peut être réglée de 0,01A à 5,5A. Si l'intensité de sortie dépasse l'OCP réglée, la sortie est coupée (en général dans les 35ms).

Pour régler OCP, appuyer sur SHIFT, OCP ; l'indicateur JOG à pas de 10mA va commencer à clignoter et la molette rotative de réglage pas à pas peut être utilisée pour incrémenter ou décrémenter le réglage OCP par pas de 10mA. Appuyer sur OK pour confirmer le nouveau réglage ; pour quitter sans saisir une nouvelle valeur, appuyer sur ESCAPE. Le réglage par défaut d'usine est de 5,50A.

Si l'OCP se déclenche, l'affichage présente le message **OCP trip** et la sortie est coupée. Appuyer sur ESCAPE à cet instant supprime le message et l'affichage montre ensuite la tension et la limite d'intensité pré-réglées. Une fois la cause de l'OCP éliminée (ou la limite d'OCP modifiée), la sortie peut être réactivée.

Noter que comme pour l'OVP, le réglage OCP ne change pas quand on change de plage.

Noter aussi qu'il est possible et valide de régler l'OCP sous la limite d'intensité réglée. Par exemple, le générateur peut être utilisé pour tester de façon répétitive un appareil à tester (AAT) qui prend normalement une intensité de pointe, disons de 2 A. Par contre, une AAT défectueuse consommerait une intensité de plus de 2 A et serait endommagée en étant laissée dans un état d'intensité limitée à 2 A. Dans ce cas, la limite d'intensité pourrait être réglée à disons 2,1A, et l'OCP réglée à 2,0A pour s'assurer que l'AAT défectueuse déclencherait la coupure de l'alimentation.

Protection de sortie

En plus d'OVP et OCP pour la protection contre les surtensions et surintensités directes, la sortie est protégée des tensions inverses par une diode ; le courant continu inverse ne doit pas dépasser 3 A, bien que des défauts transitoires puissent être beaucoup plus élevés.

Puissance de sortie (V x A)

Si l'on appuie sur SHIFT, V x A, l'affichage de tension montre le produit de la tension de sortie mesurée par l'intensité mesurée, et l'affichage d'intensité indique **VA**. V x A est une fonction momentanée, c'est à dire qu'elle donne une lecture instantanée, et non continue, de la puissance de sortie ; la lecture est conservée tant que l'on appuie sur la touche. Appuyer sur V x A annule SHIFT. La commande pas à pas est temporairement désactivée (et les indicateurs JOG sont éteints) pendant l'affichage V x A.

Déclenchement de température

Si la température limite de sûreté interne est dépassée en raison, par exemple, de l'obstruction des événements du ventilateur, la sortie est coupée et l'affichage indique **OTP triP**. Appuyer sur ESCAPE à cet instant réaliser l'une de ces deux choses :

- i. Si la condition de surtempérature a déjà disparu, le message sera supprimé et l'affichage indiquera ensuite la tension et la limite d'intensité préréglées. En supposant que la cause de la surtempérature a été rectifiée, la sortie peut être réactivée.
- ii. Si l'instrument est toujours au-dessus de la température limite de sûreté, le message **OTP triP** clignotera lentement (clignotement 'paresseux') jusqu'à ce que l'instrument ait refroidi ; à ce moment-là, l'affichage montrera de nouveau la tension et la limite d'intensité préréglées. En supposant que la cause de la surtempérature a été rectifiée, la sortie peut être réactivée.

Sortie d'alarme

Le connecteur à 2 broches en retrait sur le panneau arrière est directement connecté à un transistor de basculement NPN opto-isolé (broche 1 émettrice, broche 2 collectrice) qui est activé (c'est à dire 'fermeture' de l'interrupteur) en fonction des conditions spécifiées dans la section Fonctions supplémentaires, voir plus loin. La condition de défaut est la fermeture de l'interrupteur pour toute condition de déclenchement (OVP, OCP, SENSE ou OTP). La tension maximale permise en circuit ouvert sur l'interrupteur est de 30V CC et l'intensité nominale absorbée pour la fermeture de l'interrupteur est de 1mA.

Enregistrer les réglages

L'instrument peut stocker 10 configurations pour chaque sortie dans une mémoire non-volatile ; les paramètres enregistrés sont la plage, la tension, la limite d'intensité, OVP et OCP. L'état de la sortie et le réglage de détection à distance ne sont pas enregistrés.

Pour enregistrer une configuration, appuyer sur SHIFT, STORE, n° d'enregistrement, OK ; le n° d'enregistrement est une touche de 0 à 9.

Après avoir appuyé sur les touches SHIFT, STORE, l'affichage montre **Store -** ; la fonction SHIFT est annulée (le témoin s'éteint). A cet instant, appuyer sur n'importe quelle touche numérique affichera ce numéro à la place de **-** et indiquera soit **E** (mémoire vide) ou **F** (mémoire pleine) à côté, par ex. **Store 1.E**, **Store 2.F** . N'importe quelle quantité de mémoires peut être vérifiée en appuyant sur un numéro après l'autre (c'est à dire sans devoir appuyer sur SHIFT, STORE à chaque fois) avant de confirmer la sélection avec la touche OK. Une mémoire pleine peut être écrasée avec de nouveaux réglages. A tout moment avant d'appuyer sur la touche OK, la fonction de mémoire peut être quittée sans sauvegarder de configurations en appuyant sur ESCAPE ou en attendant 10 secondes après la dernière saisie au clavier.

Effacer des réglages enregistrés

N'importe quelle mémoire peut être vidée de la manière suivante : sélectionner la mémoire en appuyant sur SHIFT, STORE, n° d'enregistrement ; à ce moment, appuyer sur **•** . L'affichage montre maintenant **dELEt** à la place de **Store** , par ex. **dELEt 2.F** ; appuyer sur OK supprime le contenu de la mémoire.

Rappeler des réglages

Pour rappeler une configuration, appuyer sur SHIFT, RECALL (rappeler), n° d'enregistrement, OK ; le n° d'enregistrement est une touche de 0 à 9. Après avoir appuyé sur les touches SHIFT, STORE, l'affichage montre **rECAL -** ; la fonction SHIFT est annulée (le témoin s'éteint). A cet instant, appuyer sur n'importe quelle touche de 0 à 9 va pré-visualiser les réglages de tension et d'intensité de ce numéro d'enregistrement ; les réglages clignotent pour indiquer le mode de pré-visualisation.

N'importe quelle quantité de mémoires peut être vérifiée en appuyant sur un numéro après l'autre (c'est à dire sans devoir appuyer sur SHIFT, RECALL à chaque fois) avant de confirmer la

sélection avec la touche OK. Les mémoires vides sont indiquées par un – clignotant sur chaque position de chiffre. A tout moment avant d'appuyer sur la touche OK, la fonction de rappel peut être quittée sans rappeler une configuration en appuyant sur ESCAPE ou en attendant 10 secondes après la dernière saisie au clavier.

Les réglages peuvent être rappelés avec la sortie en marche ou arrêtée. Cependant, si le réglage rappelé implique un changement de plage, la sortie est coupée pour éviter toute perturbation transitoire. Après avoir appuyé sur SHIFT, RECALL, n° d'enregistrement, la touche ON/OFF va clignoter (ainsi que la touche OK) si la réalisation du rappel implique un changement de plage. La sortie peut être coupée avec la touche ON/OFF, le rappel peut ensuite être réalisé en appuyant sur OK, ou bien on peut appuyer directement sur OK, auquel cas la sortie est automatiquement coupée et le rappel réalisé.

Fonctions supplémentaires

Des variations de certaines fonctions par défaut d'usine peuvent être programmées par l'utilisateur à l'aide de l'option de fonctions supplémentaires #. Chaque changement de fonction, détaillé dans la liste ci-dessous, est accessible en appuyant sur SHIFT, #, nn, où nn est le numéro à 2 chiffres de la liste ci-dessous ; l'affichage passe à **HASH No. _** après SHIFT, # et le bruiteur donne un bip de confirmation lorsque la saisie du nombre à 2 chiffres est terminée. Comme indiqué dans le paragraphe d'introduction de cette section, les fonctions # peuvent être réglées indépendamment (c'est à dire différemment) pour chaque sortie principale ; noter, cependant, que les fonctions #02, #03 et #21 qui s'appliquent à la sortie auxiliaire ne peuvent être réglées que lorsque ◀ CONTROL ▶ est assigné à la Sortie 1.

| # Code | Fonction |
|--------|--|
| 00 | Sortie principale toujours coupée à la mise sous tension (réglage par défaut d'usine). |
| 01 | Statut de la sortie principale à la mise sous tension identique à la dernière mise hors tension. |
| 02 | Sortie aux. toujours coupée à la mise sous tension (réglage par défaut d'usine) Régulé avec le contrôle assigné à la Sortie 1. |
| 03 | Statut de la sortie aux. à la mise sous tension identique à la dernière mise hors tension. Régulé avec le contrôle assigné à la Sortie 1. |
| 20 | Sortie d'alarme 'ouverte' pour Sortie principale coupée, 'fermée' pour Sortie principale active. |
| 21 | Sortie d'alarme 'fermée' quand la Sortie aux. est en limite d'intensité. Régulé avec le contrôle assigné à la Sortie 1 ; s'applique à l'alarme de Sortie 1 seulement. |
| 22 | Sortie d'alarme 'fermée' quand un déclenchement de surtempérature survient. |
| 23 | Sortie d'alarme 'fermée' quand un déclenchement de détection survient. |
| 24 | Sortie d'alarme 'fermée' quand un déclenchement de surintensité survient. |
| 25 | Sortie d'alarme 'fermée' quand un déclenchement de surtension survient. |
| 26 | Sortie d'alarme 'fermée' quand un déclenchement quelconque survient (réglage par défaut d'usine). |
| 30 | Arrêt du bruiteur. |
| 31 | Bruiteur en marche (réglage par défaut d'usine). Un bip simple indique une confirmation, un double bip indique une mauvaise saisie. |

- 40 Le chiffre de réglage pas à pas clignote, l'indicateur JOG ne clignote que quand le pas à pas est 'masqué'.
- 41 L'indicateur JOG clignote toujours, excepté quand il est 'masqué' (réglage par défaut d'usine).
- 42 L'indicateur JOG ne clignote pas, excepté quand il est 'masqué' (clignotement paresseux)
- 91 Charge les paramètres d'étalonnage par défaut. Se reporter au Manuel d'entretien.
- 92 Indique le numéro de version du microprogramme dans l'afficheur.
- 93 Règle ces paramètres # à leur réglage par défaut d'usine.
- 99 Entre en mode de calibrage. Se reporter au Manuel d'entretien.

Réglages par défaut d'usine

Les réglages par défaut de sortie d'usine (qui s'appliqueront à la première mise en marche) sont les suivants :

| | |
|----------------------|--|
| Plage : | 35V/3A |
| Tension : | 1,000V |
| Limite d'intensité : | 1,000A |
| OVP : | 40V |
| OCP : | 5,5A |
| Sortie : | Sortie coupée ; détection locale |
| Réglages # : | 00 Sortie principale toujours coupée à la mise sous tension. |
| | 02 Sortie aux. toujours coupée à la mise sous tension (fonction # de la Sortie 1 # seulement). |
| | 26 Sortie d'alarme 'fermée' quand un déclenchement quelconque survient |
| | 31 Bruiteur en marche. |
| | 41 L'indicateur JOG clignote toujours, clignotement 'paresseux' quand il est masqué. |
| RS232 : | 9 600 Bauds (XDL 35-5TP seulement) |
| Adresse : | 11 (XDL 35-5TP seulement) |

Messages d'erreur

Les erreurs matérielles suivantes sont indiquées par l'apparition du numéro d'erreur approprié à l'écran. La touche OK va clignoter. Si on appuie sur cette touche, l'erreur sera ignorée et l'opération continuera de la manière décrite.

| Erreur N°. | Description de l'erreur | Action à l'appui sur la touche OK |
|------------|--|---|
| 1 | Constantes d'étalonnage corrompues à la mise sous tension | Charge les paramètres d'étalonnage par défaut |
| 2 | Fonctions # corrompues à la mise sous tension | Charge les réglages # par défaut |
| 3 | Réglages de mise hors tension mal chargés à la mise sous tension | Charge les réglages de mise sous tension par défaut d'usine |

Mettre l'instrument hors tension avec le message d'erreur affiché laissera tous les réglages inchangés.

Sorties principales – Mode liaison (Link)

En mode Link, sélectionné en appuyant sur la touche LINK, les paramètres clés des deux Sorties Principales sont ajustés ensemble ; une fois le mode Link sélectionné les deux touches ◀ CONTROL ▶ (1 et 2) sont allumées pour montrer que les deux sorties sont sélectionnées.

Les paragraphes suivants décrivent seulement les différences entre le fonctionnement indépendant et lié ; ils devront être lus conjointement aux paragraphes correspondants dans la section Sorties principales.

Fonctionnement en mode lié – Vue d'ensemble

Le contrôle des deux sorties principales peut être "lié" de façon à ce que les changements s'appliquent aux deux sorties simultanément. Il peut y avoir plusieurs raisons pour vouloir le faire:

1. Câblage en série ou parallèle

L'utilisateur peut souhaiter créer une sortie avec une capacité de soit deux fois la tension soit deux fois l'intensité, voir la section Connexion en série ou en parallèle avec d'autres sorties, page 51. Le mode lié fournit un moyen commode de contrôler deux sorties lorsqu'elles sont connectées en série ou en parallèle.

2. Traçage des tensions (ou intensités)

En mode lié, utiliser le Réglage numérique fixera des tensions et/ou intensités égales aux deux sorties. Le contrôle des sorties peut également être lié à des tensions et/ou des intensités différentes réglées sur les sorties. L'utilisation de la commande pas à pas apportera alors des changements égaux aux deux sorties.

3. Rappel simultané des réglages enregistrés

Chaque sortie a son propre jeu de 10 mémoires. Cependant, en mode lié, un autre jeu de 10 mémoires est disponible et peut enregistrer des réglages pour les deux sorties. Des tensions et intensités peuvent être réglées individuellement pour chaque sortie et le contrôle mis en mode lié avant enregistrement. Les réglages enregistrés peuvent alors être rappelés sur les deux sorties simultanément.

Note :

Les réglages existant de la Sortie 1 peuvent être doublés sur la Sortie 2 à l'aide de la fonction Copy avant ou après liaison.

En mode lié, les fonctions de contrôle sont limitées au Réglage de plage, Réglage de tension et Réglage d'intensité (Réglage numérique et Réglage pas à pas), plus Enregistrer et Rappeler. OVP, OCP et Détection ne peuvent être modifiées en mode lié.

Le contrôle Marche/Arrêt de chaque sortie reste séparé en mode lié. Pour allumer ou éteindre les sorties en même temps, les boutons de commande multi-sorties, indépendants du mode lié, doivent être utilisés.

Sélectionner le mode Link

La seule contrainte à la sélection du mode Link est que les deux Sorties principales doivent déjà être réglées sur la même plage ; en particulier, les sorties peuvent être liées même si leurs réglages de tension de sortie et de limite d'intensité sont différents. Appuyer sur LINK si des plages différentes sont réglées fera sonner deux fois les bruiteurs et l'indicateur de plage de la sortie précédemment non-sélectionnée clignotera pendant 2 secondes.

Sélectionner le mode Link annulera toute sélection de commande pas à pas réglée sur l'une ou l'autre Sortie principale.

Régler la tension et régler la limite d'intensité

Régler la tension de sortie et la limite d'intensité par la saisie numérique ou par la commande pas à pas est pour l'essentiel identique aux sorties en mode indépendant. Avec la saisie numérique les deux sorties seront réglées exactement à la même nouvelle tension de sortie et à la même limite d'intensité nouvelle, quels que soient les réglages au moment où les sorties ont été liées. Noter qu'il peut exister une différence de temps finie entre les changements des deux sorties, même si elles changent par rapport au même réglage initial ; en général cette différence de temps ne devrait pas dépasser 40ms (80ms maxi). Cependant, si les réglages étaient différents

au moment où les sorties ont été liées, modifier la tension ou la limite d'intensité à l'aide de la commande pas à pas maintiendra la différence entre les deux sorties en incrémentant/décrémentant chaque sortie du même pas, c'est à dire que les sorties se suivront l'une l'autre. Ce suivi sera maintenu jusqu'à ce que l'une des sorties atteigne la limite de la plage, auquel cas un pas supplémentaire de la commande pas à pas fera sonner le bruiteur pour cette sortie (la sortie restant à la limite de la plage) tandis que la sortie dans la plage continue de changer, c'est à dire que le suivi cesse et que les sorties convergent à chaque pas supplémentaire. Si l'incrément/décrément est inversé, la nouvelle différence (plus petite) entre les sorties est conservée jusqu'à ce que l'une des sortie atteigne la limite de plage dans l'autre direction.

Si l'on quitte le mode Link tandis que la commande pas à pas est sélectionnée, cette dernière continue d'être active sur la sortie sélectionnée.

Enregistrer et rappeler

En mode Link, 10 autres mémoires non-volatiles, assez distinctes des 10 mémoires de chaque sortie en mode indépendant, sont disponibles. Les paramètres stockés sont Plage, Tension, Limite d'intensité, OVP et OCP. Le fonctionnement en mode Link est exactement celui décrit dans les paragraphes Enregistrer, Rappeler et Supprimer de la section Sorties principales ; les messages d'affichage décrits dans ces sections apparaissent dans les deux affichages lorsque le mode Link est sélectionné.

OVP, OCP et détection

OVP, OCP et détection ne peuvent être réglées que lorsque l'un ou l'autre canal est sélectionné indépendamment. Les réglages sont maintenus lorsque le mode Link est sélectionné ; OVP et OCP peuvent être sauvegardés dans le cadre d'une configuration en mode Link mais c'est impossible pour la Détection. Si l'on tente de modifier OVP, OCP ou Détection en mode Link, l'affichage de la Sortie 1 va clignoter avec **SELCt 1or2** pour rappeler à l'utilisateur que ces paramètres doivent être réglés indépendamment pour chaque canal. Appuyer sur ESCAPE pour annuler l'affichage clignotant, assigner le contrôle au canal approprié à l'aide des touches ◀ CONTROL ▶ 1 ou 2 et régler OVP, OCP, ou Détection comme décrit pour les sorties individuelles.

Puissance de sortie

Appuyer sur SHIFT, V x A provoque l'affichage de la puissance de sortie des deux sorties simultanément dans leurs affichages respectifs (V x A en affichage de tension, **UA** en affichage d'intensité) exactement comme décrit pour le fonctionnement indépendant.

Fonctions supplémentaires

Les fonctions # décrites dans le paragraphe Fonctions supplémentaires de la section Sorties principales peuvent également être réglées lorsque l'instrument est en mode Link ; les deux affichages montreront **HASH No. _** après avoir appuyé sur SHIFT, #. Toute fonction # réglée de cette manière sera bien sûr identique pour les deux sorties. Cependant, les fonctions # peuvent être différentes pour chaque sortie si elles sont réglées séparément tandis que l'appareil est en mode indépendant et la sélection des fonctions sera maintenue pour chaque sortie même quand les sorties seront en mode Link.

Type de bus et adresse/vitesse de transmission

Le type de bus, l'adresse et la vitesse de transmission ne peuvent être réglés que lorsque le contrôle est assigné à la Sortie 2. L'affichage de la Sortie 2 est utilisé pour montrer les paramètres réglés, exactement comme décrit pour le fonctionnement indépendant. Si l'on tente de régler ces paramètres en mode Link, ou avec la Sortie 1 sélectionnée, l'affichage de la Sortie 1 clignote avec **SELCt P.U. _2** pour inviter à sélectionner la Sortie 2. Appuyer sur Escape pour effacer l'invite à l'écran (ou attendre qu'elle disparaisse), puis sélectionner la Sortie 2.

Sorties principale – Fonction copier

Les principaux réglages de la Sortie 1 peuvent être copiés sur la Sortie 2 en utilisant la fonction Copier, quel que soit le mode ◀ CONTROL ▶ (1, 2 ou LINK) actuellement sélectionné. Les paramètres copiés sont Plage, Tension, Limite d'intensité, OVP et OCP; le statut de Détection, ON/OFF, la commande pas à pas et le contenu enregistré ne sont pas copiés.

Appuyer sur SHIFT, COPY 1>2 provoque l'apparition des réglages de Tension, Intensité et Plage de la Sortie 1 sur les affichages de la Sortie 2 en mode clignotant ; la touche OK clignote aussi. Appuyer sur OK confirme et met en œuvre l'opération de copie, appuyer sur ESCAPE à cet instant abandonne l'opération.

Si l'opération de copie provoque un changement de plage sur la Sortie 2, et que celle-ci est active, alors la touche ON/OFF Sortie 2 clignote aussi et la sortie est coupée lorsque l'on appuie sur la touche OK ; la sortie peut également être coupée directement avec sa touche ON/OFF avant d'appuyer sur OK.

Sortie auxiliaire

La sortie AUXILIARY peut fournir jusqu'à 1 A à 2,7V, 3,3V ou 5,0V. La tension de sortie est réglée par un commutateur coulissant du panneau avant et la limite d'intensité est fixée à $\geq 1A$. Les bornes de la sortie sont doublées sur le panneau arrière (bornes sans vis) pour l'utilisation en baie ; il n'y a pas de capacité de détection à distance. La sortie est activée et désactivée de façon électronique par le commutateur du panneau avant ou par l'intermédiaire de l'une des interfaces de commande à distance ; aucune autre fonction ne peut être télécommandée sur cette sortie. La Limite d'intensité est indiquée lorsque la tension de sortie a chuté de $\sim 100mV$; à ce moment, la sortie émettra en général 1,5A et maintiendra cette intensité à mesure que l'impédance de charge sera réduite à un court-circuit. Si un court-circuit est maintenu, la sortie entrera finalement en coupure thermique.

Fonctionnement à distance (XDL 35-5TP seulement)

Il est possible de commander l'instrument à distance par le biais des interfaces RS232, USB ou GPIB. Lors de l'utilisation de RS232, il peut s'agir du seul instrument relié au contrôleur ou il peut faire partie d'une chaîne adressable RS232, qui permet d'adresser jusqu'à 32 instruments depuis un seul port RS232.

L'interface USB fonctionne en interne à travers l'interface RS232 de l'instrument. La télécommande USB fonctionne par conséquent exactement comme il est décrit pour l'utilisation d'un simple instrument RS232 mais par l'intermédiaire du connecteur USB. L'instrument fonctionne à la vitesse de transmission maximale (19200) en mode USB. Le port COM virtuel COM sur l'ordinateur de commande, configuré à l'aide du logiciel pilote fourni, doit être programmé à la même vitesse de transmission. Le logiciel d'application installé sur l'ordinateur peut alors accéder à l'instrument comme s'il était connecté via le connecteur RS232. Le port USB ne peut pas, cependant, être utilisé dans le cadre d'une chaîne adressable RS232.

Certaines des sections qui suivent sont d'intérêt général et elles s'appliquent à tous les modes (un seul instrument RS232, USB, chaîne adressable RS232 et GPIB); d'autres s'appliquent spécifiquement à une interface ou à un mode spécifique. Il suffit de lire les sections générales ainsi que les sections s'appliquant plus particulièrement au mode de télécommande prévu.

Le format de télécommande et la télécommande en question sont décrits en détail au chapitre Commandes à distance.

Sélection de type de bus de commande, d'adresse et de vitesse de transmission

Pour assurer un fonctionnement réussi, chaque instrument relié au bus GPIB ou à la chaîne RS232 adressable doit recevoir une adresse unique. Dans le cas du RS232 adressable, tous les instruments doivent être réglés à la même vitesse de transmission.

Pour changer les réglages d'interface, le mode ◀ CONTROL ▶ doit d'abord être réglé sur 2 (c'est à dire la Sortie 2 seule sélectionnée).

Appuyer sur SHIFT, Bus Type pour afficher le type de bus actuellement sélectionné. Pour passer à un autre type de bus, faire défiler les types disponibles en utilisant la molette rotative jusqu'à ce que le type voulu s'affiche. Appuyer sur OK pour sélectionner le type affiché ou sur ESCAPE pour conserver la sélection précédente.

Appuyer sur SHIFT, Addr/Baud pour afficher l'adresse bus actuellement sélectionnée de l'instrument. Si le type de bus actuellement sélectionné est RS232, alors appuyer de nouveau sur Addr/Baud affiche la vitesse de transmission actuellement sélectionnée et des appuis répétés alternent entre les deux. Pour modifier l'adresse, faire défiler les adresses disponibles à l'aide de la molette rotative lorsque l'adresse est affichée. L'adresse peut être réglée entre 1 et 31 inclus et la même adresse est utilisée pour les protocoles GPIB et RS232 adressable ; le réglage d'adresse est ignoré en mode USB. Pour changer de vitesse de transmission, faire défiler les valeurs disponibles en utilisant la molette rotative lorsque la vitesse de transmission est affichée. Appuyer sur OK pour sélectionner la dernière adresse et la dernière vitesse de transmission affichées ou sur ESCAPE pour conserver les sélections précédentes. Noter que le type de bus RS232 doit être sélectionné avant de pouvoir sélectionner la vitesse de transmission, cette dernière est fixée à un maximum de 19200 pour USB.

Fonctionnement à distance/local

A l'allumage, l'instrument se trouve en état local et le témoin REM est éteint. Dans cet état, toutes les opérations au clavier sont possibles. Lorsque l'instrument est en mode de réception et qu'une commande est reçue, on passe à l'état à distance et le témoin REM s'allume. Dans cet état, le clavier est verrouillé et seules les commandes à distance sont traitées. Il est possible de refaire passer l'instrument à l'état local en appuyant sur la touche LOCAL ; toutefois, l'effet de cette action subsistera uniquement jusqu'à ce que l'instrument soit ré-adressé ou qu'il reçoive un autre caractère de l'interface ; à ce moment, il sera possible de repasser à nouveau à l'état de fonctionnement à distance.

Interface RS232

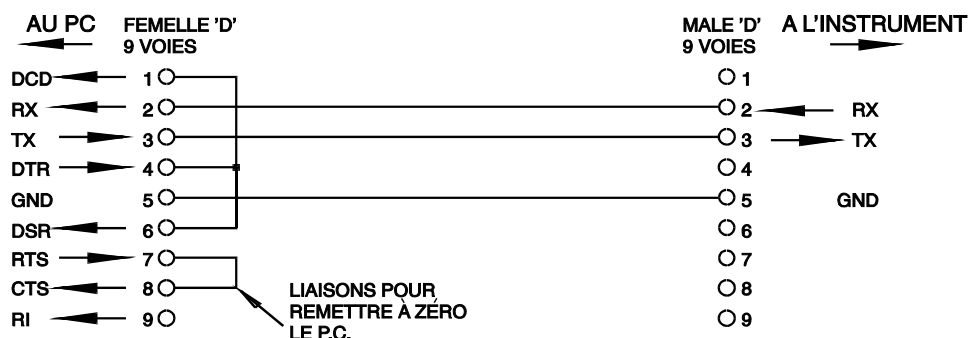
Connecteur d'interface RS232

Le connecteur d'interface série type D 9 voies se trouve sur le panneau arrière de l'instrument. Les connexions des broches sont indiquées ci-dessous:

| Broche | Nom | Description |
|--------|------|--|
| 1 | - | Pas de connexion interne |
| 2 | TXD | Données transmises de l'instrument |
| 3 | RXD | Données reçues à l'instrument |
| 4 | - | Pas de connexion interne |
| 5 | GND | Terre signal |
| 6 | - | Pas de connexion interne |
| 7 | RXD2 | Données secondaires reçues (RS232 adressable uniquement) |
| 8 | TXD2 | Données secondaires transmises (RS232 adressable uniquement) |
| 9 | GND | Terre signal (RS232 adressable uniquement) |

Connexions RS232 d'un seul instrument

Dans le cas de télécommande d'un seul instrument, seules les broches 2, 3 et 5 sont reliées au PC. Toutefois, pour assurer un fonctionnement correct, il faut réaliser des liaisons dans le connecteur à l'extrémité PC entre les broches 1, 4 et 6 et entre les broches 7 et 8, voir le schéma. Il **ne faut pas** relier les broches 7 et 8 de l'instrument au PC, c'est-à-dire qu'il ne faut pas utiliser de câble 9 voies entièrement câblé.

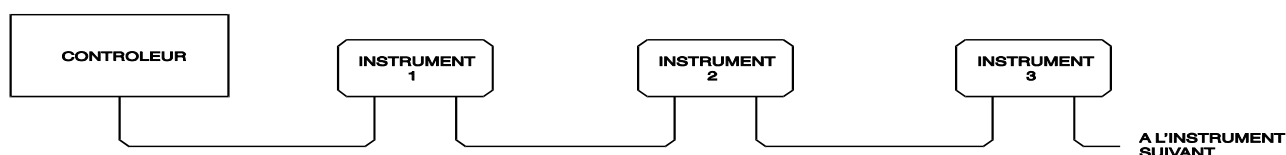


La vitesse de transmission est réglée de la manière décrite ci-dessus dans Sélection d'adresse et de vitesse de transmission; les autres paramètres sont définis de la manière suivante :

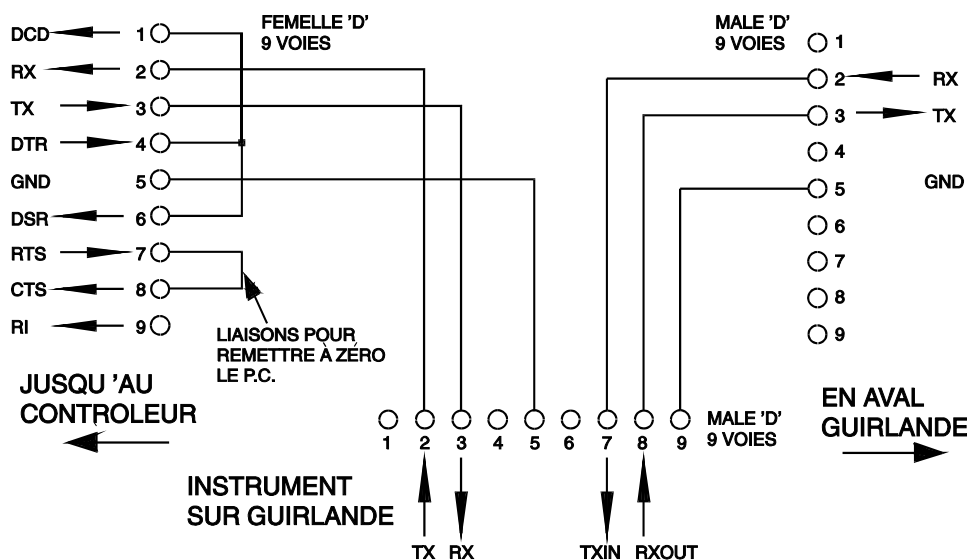
| | | | |
|------------------|---|---------------|--------|
| Bits de début: | 1 | Parité: | Aucune |
| Bits de données: | 8 | Bits d'arrêt: | 1 |

Connexions RS232 adressables

Dans le cas de fonctionnement RS232 adressable, on utilise également les broches 7, 8 et 9 du connecteur de l'instrument. L'utilisation d'un seul câble permet d'effectuer un système de connexion en "guirlande" entre tout nombre d'instruments jusqu'à un maximum de 32, de la manière illustrée ci-dessous :



La guirlande est constituée des lignes de données de transmission (TXD), données de réception (RXD) et terre de signal uniquement. Il n'y a pas de lignes de commande/protocole d'établissement de liaison. Ceci rend le protocole XON/XOFF essentiel et permet à l'interconnexion entre les instruments de contenir uniquement 3 fils. Le câblage du câble de l'adaptateur est indiqué ci-dessous:



Il faut régler tous les instruments de l'interface à la même vitesse de transmission et les allumer tous, sinon, les instruments qui se trouvent en aval dans la guirlande ne recevront pas de données ni de commandes.

Les autres paramètres sont réglés de la manière suivante:

| | | | |
|------------------|---|---------------|--------|
| Bits de début: | 1 | Parité: | Aucune |
| Bits de données: | 8 | Bits d'arrêt: | 1 |

Jeu de caractères RS232

En raison des besoins de protocole d'établissement de liaison XON/XOFF, il est possible de transmettre uniquement des données codées ASCII; les blocs binaires ne sont pas admissibles. Il n'est pas tenu compte du bit 7 des codes ASCII, c'est-à-dire qu'on suppose qu'il est à un bas niveau. Aucune distinction n'est effectuée entre les caractères en majuscules et les caractères en minuscules dans le mnémonique de commande et ils peuvent donc être mélangés librement. Les codes ASCII inférieurs à 20H (espace) sont réservés pour la commande d'interface adressable RS232. Dans ce manuel, par 20H, etc., on entend 20 en hexadécimal.

Codes de contrôle d'interface adressable RS232

Tous les instruments devant être utilisés sur le bus adressable utilisent le jeu suivant de codes de contrôle d'interface. Les codes compris entre 00H et 1FH qui ne sont pas énumérés ici comme ayant une signification spécifique sont réservés en vue d'utilisation ultérieure et ils seront ignorés. Le mélange des codes de commande d'interface à l'intérieur des commandes de l'instrument n'est pas admissible, sauf comme indiqué ci-dessous pour les codes CR (retour de chariot) et LF (saut de ligne) et les codes XON et XOFF.

La première fois qu'on allume un instrument, il passe automatiquement en mode Non-Addressable (non adressable). Dans ce mode, l'instrument n'est pas adressable et il ne répondra pas à des commandes d'adresse. Ceci permet à un instrument de fonctionner en tant que dispositif contrôlable RS232 normal. Il est possible de verrouiller ce mode en transmettant le code de commande de mode Lock Non-Addressable (verrouillage non adressable), 04H. Le contrôleur et l'instrument peuvent maintenant utiliser librement tous les codes à 8 bits et les blocs binaires, mais tous les codes de contrôle d'interface sont ignorés. Pour repasser au mode adressable, il faut éteindre l'instrument.

Pour activer le mode adressable après allumage d'un instrument au code de commande Set Addressable Mode (réglage de mode adressable), il faut transmettre le code 02H. Il permettra à tous les instruments reliés au bus de répondre à tous les codes de contrôle d'interface. Pour retourner en mode Non-Addressable, il faut transmettre le code de contrôle de mode Lock Non-Addressable, qui désactivera le mode adressable jusqu'à ce que les instruments soient éteints.

Avant de transmettre une commande à l'instrument, il doit être en mode de réception suite à la transmission du code de contrôle Listen Address (adresse de réception), 12H, suivi d'un seul caractère dont les 5 bits inférieurs correspondent à l'adresse unique de l'instrument requis, par exemple les codes A-Z ou a-z donnent les adresses 1 à 26 incluses, alors que @ est l'adresse 0, etc. Lorsque l'instrument est en mode réception, il lira toutes les commandes transmises et interviendra en conséquence jusqu'à ce qu'on annule le mode de réception.

En raison de la nature asynchrone de l'interface, il faut que le contrôleur sache qu'un instrument a accepté la séquence d'adresse de réception et qu'il est prêt à recevoir les commandes. Le contrôleur attendra donc le code Acknowledge (aquiescement), 06H, avant de transmettre des commandes. L'instrument adressé fournira ce code Acknowledge. L'expiration du contrôleur doit alors intervenir et il exécutera une nouvelle tentative si aucun Acknowledge n'est reçu dans les 5 secondes.

La prise en charge d'un des codes de contrôle d'interface suivants annulera le mode de réception :

- 12H Listen Address suivi d'une adresse n'appartenant pas à cet instrument.
- 14H Talk Address (adresse d'émission) pour tout instrument.
- 03H Code de contrôle Universal Unaddress (non adressage universel).
- 04H Code de contrôle de mode Lock Non-Addressable.
- 18H Universal Device Clear (initialisation dispositif universel).

Avant qu'une réponse puisse être lue sur un instrument, il doit être en mode d'émission suite à la transmission du code de contrôle Talk Address, 14H, suivi d'un seul caractère dont les 5 bits inférieurs correspondent à l'adresse unique de l'instrument requis, comme pour le code de contrôle d'adresse de réception ci-dessus. Lorsque l'instrument est en mode d'émission, il transmettra le message de réponse disponible, s'il y a lieu, puis quittera le mode d'émission. Un seul message de réponse sera transmis chaque fois que l'instrument est en mode d'émission.

La prise en charge d'un des codes de contrôle d'interface suivants entraînera l'annulation du mode d'émission:

- 12H Listen Address pour tout instrument.
- 14H Talk Address suivi d'une adresse qui n'appartient pas à cet instrument.
- 03H Code de contrôle Universal Unaddress.
- 04H Code de contrôle de mode Lock Non-Addressable.
- 18H Universal Device Clear.

Il est également possible d'annuler le mode d'émission lorsque l'instrument a terminé de transmettre un message de réponse ou qu'il n'a rien à dire.

Le code d'interface 0AH (LF) est la commande universelle et la terminaison de réponse ; il doit être le dernier code transmis dans toutes les commandes et sera le dernier code transmis dans toutes les réponses.

Il est possible d'utiliser le code d'interface 0DH (CR), le cas échéant, pour faciliter la mise en forme des commandes; les instruments n'en tiendront pas compte. La plupart des instruments termineront les réponses par CR suivi de LF.

Un récepteur (instrument ou contrôleur) peut, à tout moment, transmettre le code d'interface 13H (XOFF) pour suspendre la sortie d'un émetteur. Le récepteur doit transmettre 11H (XON) avant que l'émetteur recommence à transmettre. C'est la seule forme de contrôle d'établissement de liaison supportée en mode RS232 adressable.

Liste complète des codes de contrôle d'interface adressable RS232

| | |
|-----|---|
| 02H | Réglage du mode adressable. |
| 03H | Code de contrôle Universal Unaddress. |
| 04H | Code de contrôle de mode Lock Non-Addressable. |
| 06H | Acknowledge de prise en charge d'adresse de réception. |
| 0AH | Line Feed (LF) (saut de ligne); utilisé en tant que commande universelle et terminaison de réponse. |
| 0DH | Carriage Return (CR) (retour de chariot); code de mise en forme, sinon ignoré. |
| 11H | Redémarrage de transmission (XON). |
| 12H | Listen Address – doit être suivi d'une adresse qui appartient à l'instrument requis. |
| 13H | Arrêt de transmission (XOFF). |
| 14H | Talk Address - doit être suivi d'une adresse qui appartient à l'instrument requis. |
| 18H | Universal Device Clear. |

Interface USB

L'interface USB permet de contrôler l'instrument en utilisant le protocole RS232 par l'intermédiaire d'un port USB d'ordinateur. Ceci est utile quand les ports COM standard RS232 de l'ordinateur sont entièrement utilisés ou n'existent pas.

L'instrument est livré avec une disquette contenant les diverses versions de Windows, y compris Win98 et 2000. La disquette contient également un fichier texte avec des informations et détails de la procédure d'installation du logiciel.

L'installation du pilote d'interface s'effectue en connectant l'instrument à un PC via un câble USB standard. Les fonctions 'plug and play' de Windows devraient automatiquement reconnaître l'ajout d'un nouveau matériel sur l'interface USB et si c'est la première fois que la connexion est établie, elles demanderont l'emplacement d'un pilote convenable. A condition que les invites standard de Windows soient correctement suivies, Windows installera le pilote approprié et établira un port COM virtuel dans le PC. Le numéro du nouveau port COM dépendra du nombre de ports COM coexistant dans le PC. Le port COM virtuel peut être piloté par les applications Windows exactement de la même manière qu'un port standard.

Noter qu'il est nécessaire de régler le port COM virtuel à la même vitesse de transmission que l'instrument à contrôler, exactement de la même manière qu'avec une connexion RS232 standard.

Le pilote restera installé sur le PC de sorte que l'établissement d'un port COM virtuel sera effectué automatiquement chaque fois que l'instrument sera à l'avenir connecté au PC via l'USB.

D'autres ports COM virtuels sont créés pour chaque instrument supplémentaire connecté au PC via USB. Chaque instrument reçoit un port COM virtuel distinct lors de sa première connexion et le même port COM lui sera attribué chaque fois que l'instrument sera connecté par la suite ; le logiciel du PC utilise le code unique incorporé dans chaque instrument pour le relier au même port COM virtuel, quel que soit le port USB physique auquel il est connecté.

Il peut également être fait usage de la commande ADDRESS? pour identifier facilement quel instrument est contrôlé par un port COM. Bien que la capacité d'adressage soit ignorée en fonctionnement USB, l'adresse peut toujours être fixée et utilisée comme identifiant ; programmer chaque instrument connecté en USB à une adresse différente et envoyer la commande ADDRESS? à partir de chaque port COM virtuel pour confirmer quel instrument est connecté à ce port.

La disquette fournie contient un programme de désinstallation en cas de nécessité.

Interface GPIB

Lorsque l'interface GPIB est montée, le connecteur 24 voies GPIB se trouve sur le panneau arrière de l'instrument. Les connexions des broches sont spécifiées à la norme IEEE 488.1-1987 et l'instrument doit être conforme aux normes IEEE 488.1-1987 et IEEE 488.2-1987.

Sous-ensembles GPIB

Cet instrument contient les sous-ensembles IEEE 488.1 suivants:

| | |
|---|-----|
| Source Handshake (établissement de liaison avec l'émission) | SH1 |
| Acceptor Handshake (acceptation de liaison) | AH1 |
| Talker (émetteur) | T6 |
| Listener (récepteur) | L4 |
| Service Request (demande de service) | SR1 |
| Remote Local (à distance local) | RL1 |
| Parallel Poll (scrutation parallèle) | PP1 |
| Device Clear (initialisation dispositif) | DC1 |
| Device Trigger (déclenchement dispositif) | DT0 |
| Controller (contrôleur) | C0 |
| Electrical Interface (interface électrique) | E2 |

Traitement des erreurs GPIB norme IEEE 488.2 – registre d'erreurs d'interrogation

L'IEEE 488.2 UNTERMINATED error (erreur non terminée IEEE 488.2) (mode d'émission, mais rien à émettre) est traitée de la manière suivante. Si l'instrument est en mode d'émission, que le formateur de réponse est inactif et que la file d'attente d'entrée est vide, UNTERMINATED error est généré. Ceci entraîne le positionnement du bit Query Error (erreur d'interrogation) dans le Standard Event Status Register (registre d'état d'événement standard) et une valeur de 3 dans le Query Error Register (registre d'erreurs d'interrogation) et la réinitialisation de l'analyseur syntaxique. Se reporter à la section Rapport d'état pour plus d'informations.

L'IEEE 488.2 INTERRUPTED error (erreur interrompue IEEE 488.2) est traitée de la manière suivante. Si le formateur de réponse attend de transmettre un message de réponse et qu'un <PROGRAM MESSAGE TERMINATOR> (terminaison de message de programme) a été lu par l'analyseur syntaxique ou que la file d'attente d'entrée contient plus d'un message END (fin), ceci indique que l'instrument a été INTERRUPTED (interrompu) qu'une erreur est générée. Ceci entraîne le positionnement du bit Query Error dans le Standard Event Status Register et une valeur de 1 dans le Query Error Register et la réinitialisation du formateur de réponse, ce qui vide la file d'attente de sortie. L'analyseur syntaxique commence alors à analyser le <PROGRAM MESSAGE UNIT> (unité de message de programme) suivant de la file d'attente d'entrée. Se reporter à la section Rapport d'état pour plus d'informations.

L'IEEE 488.2 DEADLOCK error (erreur de blocage fatal IEEE 488.2) est traitée de la manière suivante. Si le formateur de réponse attend de transmettre un message de réponse et que la file d'entrée devient pleine, l'instrument passe à l'état DEADLOCK (blocage fatal) et une erreur est générée. Ceci entraîne le positionnement du bit Query Error dans le Standard Event Status Register et une valeur de 2 dans le Query Error Register et la réinitialisation du formateur de réponse, ce qui vide la file d'attente de sortie. L'analyseur syntaxique commence alors à analyser le <PROGRAM MESSAGE UNIT> suivant de la file d'attente d'entrée. Se reporter à la section Rapport d'état pour plus d'informations.

Scrutation parallèle GPIB

Cet instrument fournit des capacités de scrutation parallèle complètes. Le Parallel Poll Enable Register (registre d'activation de scrutation parallèle) est réglé pour spécifier les bits du Status Byte Register (registre d'octets d'état) qui doivent être utilisés pour constituer le message local ist. Le Parallel Poll Enable Register est réglé par la commande *PRE <nrf> puis lu par la commande *PRE?. La valeur du Parallel Poll Enable Register est liée en montage ET avec le Status Byte Register; si le résultat est zéro, la valeur de ist est 0, sinon la valeur de ist est 1.

Il faut également configurer l'instrument afin que la valeur de *ist* puisse retourner au contrôleur lors d'une opération de scrutation parallèle. L'instrument est configuré par le contrôleur qui transmet une commande Parallel Poll Configure (PPC) (configuration scrutation parallèle) suivie d'une commande Parallel Poll Enable (PPE) (activation scrutation parallèle). Les bits de la commande PPE sont indiqués ci-dessous:

| | | |
|---------|-----------|--|
| bit 7 = | X | sans effet |
| bit 6 = | 1 | activation scrutation parallèle |
| bit 5 = | 1 | |
| bit 4 = | 0 | |
| bit 3 = | Détection | détection du bit de réponse; 0 = bas, 1 = haut |
| bit 2 = | ? | position de bit de la réponse |
| bit 1 = | ? | |
| bit 0 = | ? | |

Exemple. Pour retourner le bit RQS (bit 6 du Status Byte Register) au niveau 1 à l'état vrai et au niveau 0 à l'état faux à la position de bit 1 en réponse à une scrutation parallèle, transmettre les commandes suivantes :

*PRE 64<pmt>, puis PPC suivi de 69H (PPE)

La réponse de scrutation parallèle de l'instrument sera alors 00H si RQS est 0 et 01H si RQS est 1.

Pendant la réponse de scrutation parallèle, les lignes d'interface DIO sont terminées de manière résistive (terminaison passive). Ceci permet à plusieurs dispositifs de partager la même position de bit de réponse en configuration de câblage en ET ou OU, se reporter à IEEE 488.1 pour plus d'informations.

Rapport d'état

Cette section décrit le modèle d'état complet de l'instrument. Noter que certains registres sont spécifiques à la section GPIB de l'instrument et que leur utilisation est donc restreinte dans un environnement RS232.

Standard Event Status & Standard Event Status Enable Registers (registres d'état d'événement standard et d'activation d'état d'événement standard)

Ces deux registres sont mis en oeuvre comme exigé par la norme IEEE 488.2.

Tous les bits définis dans le Standard Event Status Register qui correspondent aux bits positionnés dans le Standard Event Status Enable Register entraîneront le positionnement du bit ESB dans le Status Byte Register.

Le Standard Event Status Register est lu, puis vidé par la commande *ESR?. Le Standard Event Status Enable Register est réglé par la commande *ESE <nrf> et lu par la commande *ESE?.

Bit 7 - Mise sous tension. Réglé la première fois qu'on applique l'alimentation à l'instrument.

Bit 6 - Non utilisé.

Bit 5 - Erreur de commande. Réglé lorsqu'une erreur de type syntaxique est détectée dans une commande provenant du bus. L'analyseur syntaxique est réinitialisé et l'analyse continue à l'octet suivant du flux d'entrée.

Bit 4 - Erreur d'exécution. Réglé en cas d'erreur lors d'une tentative d'exécution d'une commande entièrement analysée. Le numéro d'erreur approprié est signalé dans l'Execution Error Register (registre d'erreur d'exécution).

1- 99 Indique qu'une erreur matérielle a été rencontrée.

116 Un rappel de données de configuration a été demandé mais la mémoire spécifiée ne contient aucune donnée.

- 117 Un rappel de données de configuration a été demandé mais la mémoire spécifiée contient des données corrompues. Ceci indique soit une panne matérielle soit une corruption de données temporaire qui peut être corrigée en ré-écrivant ces données en mémoire.
 - 120 La valeur numérique envoyée avec la commande était trop grande ou trop petite. Cela comprend les nombres négatifs là où seuls des nombres positifs sont acceptés.
 - 123 Un rappel/enregistrement de données de configuration a été demandé de/vers un numéro d'enregistrement illégal.
 - 124 Un changement de plage a été demandé mais les réglages actuels du générateur le rendent illégal – voir les instructions de fonctionnement manuel pour les détails.
- Bit 3 - Erreur Verify Timeout (expiration de vérification). Réglé quand un paramètre est programmé avec 'vérifier' spécifié et que la valeur n'est pas atteinte dans les 5 secondes, par ex. la tension de sortie est abaissée par un grand condensateur placé sur la sortie.
- Bit 2 - Erreur d'interrogation. Réglé en cas d'erreur d'interrogation. Le numéro d'erreur approprié sera signalé dans le Query Error Register, comme indiqué ci-dessous.
1. Interrupted error (Erreur interrompue)
 2. Deadlock error (Erreur de blocage fatal)
 3. Unterminated error (Erreur non terminée)
- Bit 1 - Non utilisé
- Bit 0 - Opération terminée. Réglé en réponse à la commande *OPC.

Limit Event Status Register (registre d'état d'événement limite) et Limit Event Status Enable Register (registre d'activation d'état d'événement limite)

Deux paires de registres sont mis en œuvre comme ajout à la norme IEEE 488.2. Chaque paire consiste en un Limit Event Status Register et un Limit Status Event Enable Register d'accompagnement. Limit Event Status Register 1 (LSR1) et Limit Event Status Enable Register 1 (LSE1) s'appliquent à la sortie 1. Limit Event Status Register 2 (LSR2) et Limit Event Status Enable Register 2 (LSE2) s'appliquent à la sortie 2 et à la sortie Auxiliaire. Leur objectif est d'informer le contrôleur de l'entrée et/ou de la saisie des conditions de limites d'intensité ou de tension en enregistrant un historique des conditions de déclenchement des protection depuis la dernière lecture.

Tout bit réglé dans un Limit Event Status Register correspondant au bit réglé dans le Limit Event Status Enable Register qui l'accompagne provoque le réglage du bit LIM1 ou LIM2 dans le Status Byte Register.

Les Limit Event Status Registers 1 et 2 sont lus et effacées par les commandes LSR1? et LSR2? respectivement. Les Limit Event Status Enable Registers 1 et 2 sont programmés par les commandes LSE1<nrf> et LSE2<nrf> et lus par les commandes LSE1? et LSE2? respectivement.

Limit Event Status Register 1

- Bit 7 - Non utilisé
- Bit 6 - Non utilisé
- Bit 5 - Réglé quand un déclenchement de détection de sortie 1 est survenu
- Bit 4 - Réglé quand un déclenchement thermique de sortie 1 est survenu
- Bit 3 - Réglé quand un déclenchement de surintensité de sortie 1 est survenu
- Bit 2 - Réglé quand un déclenchement de surtension de sortie 1 est survenu
- Bit 1 - Réglé quand la sortie 1 entre dans la limite d'intensité (mode d'intensité constante)
- Bit 0 - Réglé quand la sortie 1 entre dans la limite de tension (mode de tension constante)

Limit Event Status Register 2

- Bit 7 - Non utilisé
- Bit 6 - Réglé quand la sortie auxiliaire entre en limite d'intensité
- Bit 5 - Réglé quand un déclenchement de détection de sortie 2 est survenu
- Bit 4 - Réglé quand un déclenchement thermique de sortie 2 est survenu
- Bit 3 - Réglé quand un déclenchement de surintensité de sortie 2 est survenu
- Bit 2 - Réglé quand un déclenchement de surtension de sortie 2 est survenu
- Bit 1 - Réglé quand la sortie 2 entre dans la limite d'intensité (mode d'intensité constante)
- Bit 0 - Réglé quand la sortie 2 entre dans la limite de tension (mode de tension constante)

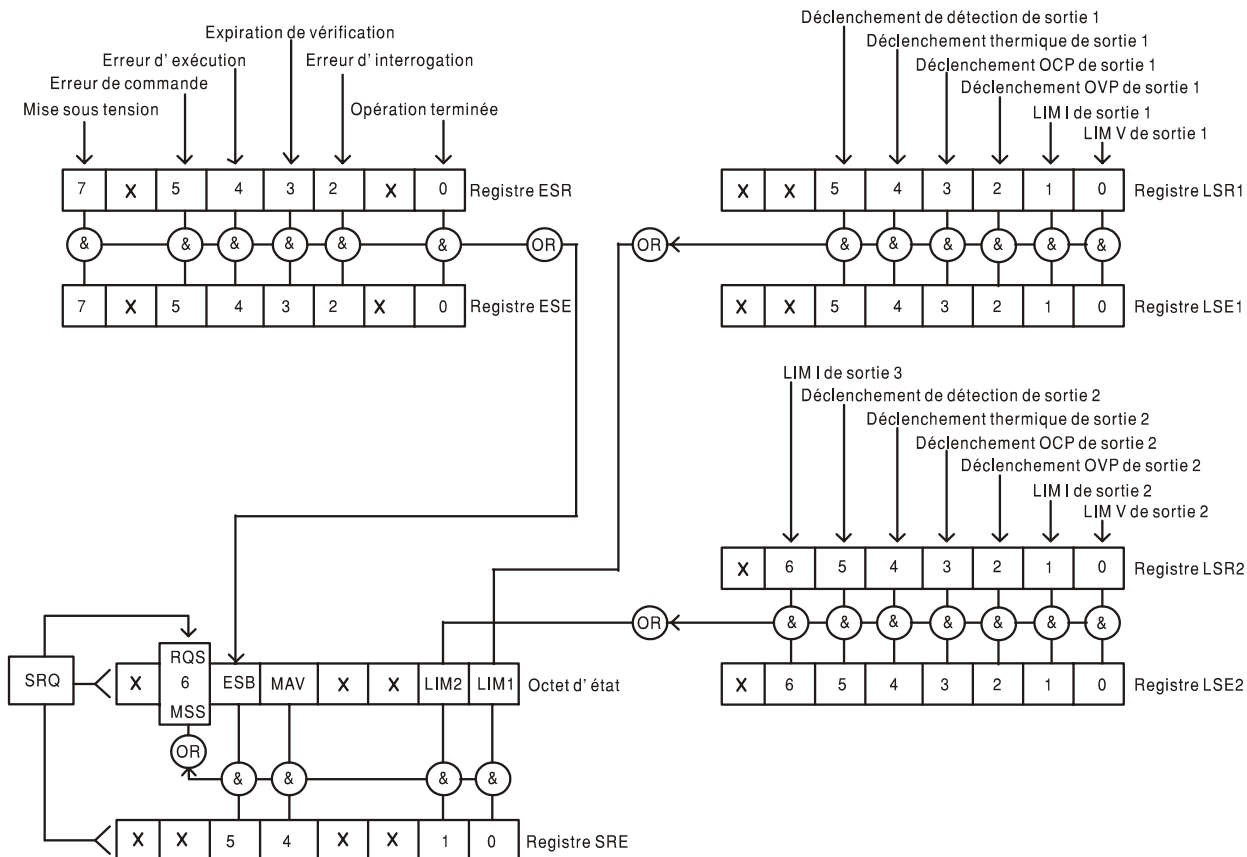
Status Byte Register et Service Request Enable Register (Registre d'activation de demande de service)

Ces deux registres sont mis en oeuvre comme exigé par la norme IEEE 488.2.

Tous les bits définis dans le Status Byte Register qui correspondent aux bits positionnés dans le Service Request Enable Register entraîneront le positionnement du bit RQS/MSS dans le Status Byte Register, ce qui génère une Service Request sur le bus.

Le Standard Event Status Register est lu, soit par la commande *STB?, qui renvoie MSS au bit 6 soit par une Serial Poll (scrutation série) qui renvoie RQS au bit 6. Service Request Enable Register est réglé par la commande *SRE <nrf> et lu par la commande *SRE?.

- Bit 7 - Non utilisé.
- Bit 6 - RQS/MSS. Ce bit, défini par la norme IEEE 488.2, contient à la fois le message Requesting Service et le message Master Status Summary (résumé d'état principal). RQS est renvoyé en réponse à Serial Poll et MSS en réponse à la commande *STB?.
- Bit 5 - ESB. Event Status Bit (bit d'état d'événement). Ce bit est réglé si des bits positionnés dans le Standard Event Status Register correspondent aux bits réglés au Standard Event Status Enable Register.
- Bit 4 - MAV. Message Available Bit (bit de message disponible). Ce bit est réglé lorsqu'un message de réponse de l'instrument est mis en forme et qu'il est prêt à être transmis au contrôleur. Le bit sera réinitialisé lorsque le Response Message Terminator (terminaison de message de réponse) a été transmis.
- Bit 3 - Non utilisé.
- Bit 2 - Non utilisé.
- Bit 1 - LIM2. Ce bit sera réglé si des bits sont programmés dans le Limit Event Status Register 2 et que des bits correspondants sont réglés dans le Limit Event Status Enable Register 2.
- Bit 0 - LIM1. Ce bit sera réglé si des bits sont programmés dans le Limit Event Status Register 1 et que des bits correspondants sont réglés dans le Limit Event Status Enable Register 1.



Modèle d'état

Réglages à la mise en marche

Les valeurs suivantes d'état d'instrument sont réglées à l'allumage:

| | |
|---|-----------------------|
| Status Byte Register | = 0 |
| Service Request Enable Register † | = 0 |
| Standard Event Status Register | = 128 (bit pon réglé) |
| Standard Event Status Enable Register † | = 0 |
| Execution Error Register | = 0 |
| Query Error Register | = 0 |
| Parallel Poll Enable Register † | = 0 |

† Les registres marqués de cette manière sont spécifiques à la section GPIB de l'instrument et leur utilisation est restreinte dans un environnement RS232.

L'instrument sera à l'état local, le clavier actif.

Les paramètres de l'instrument à l'allumage sont les mêmes que la dernière fois qu'on l'a éteint, à l'exception de l'état de sortie. Par défaut, cette dernière est toujours coupée à la mise sous tension, mais l'utilisateur peut le modifier pour avoir le même état à la mise sous tension que lors du dernier arrêt de l'appareil.

Commandes à distance

Formats des commandes à distance RS232

L'entrée série de l'instrument est mise en tampon dans une file d'attente d'entrée de 256 octets remplie, sous interruption, de manière transparente à toutes les autres opérations de l'instrument. L'instrument transmettra un signal XOFF lorsque environ 200 caractères se trouvent dans la file d'attente. Le signal XON sera transmis lorsque environ 100 espaces libres deviennent disponibles dans la file d'attente après transmission de XOFF. Cette file d'attente contient des données pures (non analysées sur le plan syntaxique) qui sont acceptées par l'analyseur, le cas échéant. Les commandes (et interrogations) sont exécutées dans l'ordre et l'analyseur syntaxique ne démarre pas de nouvelle commande avant qu'une commande ou interrogation précédente ne soit terminée. En mode non-adressable RS232, les réponses aux commandes ou interrogations sont immédiatement transmises ; il n'y a pas de file d'attente de sortie. En mode adressable, le formateur de réponse attend indéfiniment, le cas échéant, jusqu'à ce que l'instrument soit en mode d'émission et que le message de réponse complet ait été transmis, avant que l'analyseur syntaxique soit autorisé à démarrer la commande suivante dans la file d'attente d'entrée.

Les commandes doivent être transmises de la manière spécifiée dans la liste de commandes et elles doivent se terminer par le code de terminaison de commande 0AH (saut de ligne, LF). Les commandes peuvent être transmises en groupes, les commandes individuelles séparées les unes des autres par le code 3BH (;). Le groupe doit se terminer par la terminaison de commande 0AH (saut de ligne, LF).

Les réponses de l'instrument au contrôleur sont transmises de la manière spécifiée dans la liste de commandes. Chaque réponse se termine par le code 0DH (retour chariot, CR) suivi du code 0AH (saut de ligne, LF).

<WHITE SPACE> (espace blanc) est défini sous forme de code de caractère 00H à 20H inclus, à l'exception de ceux qui sont spécifiés sous forme de codes de contrôle adressable RS232.

Il n'est pas tenu compte de <WHITE SPACE>, sauf dans les identificateurs de commande, par ex. '*C LS' n'est pas équivalent à '*CLS'.

Il n'est pas tenu compte du bit haut des caractères.

Les commandes ne font pas de distinction entre les minuscules et les majuscules.

Formats de commande à distance GPIB

L'entrée GPIB de l'instrument est mise en tampon dans une file d'attente d'entrée de 256 octets remplie, sous interruption, de manière transparente à toutes les autres opérations de l'instrument. La file d'attente contient des données pures (non analysées sur le plan syntaxique) qui sont acceptées par l'analyseur, le cas échéant. Les commandes (et interrogations) sont exécutées dans l'ordre et l'analyseur syntaxique ne démarre pas de nouvelle commande avant qu'une commande ou interrogation précédente ne soit terminée. Il n'y a pas de file d'attente de sortie, c'est à dire que le formateur de réponse attend indéfiniment, le cas échéant, jusqu'à ce que l'instrument soit en mode d'émission et que le message de réponse complet ait été transmis, avant que l'analyseur syntaxique soit autorisé à démarrer la commande suivante dans la file d'attente d'entrée.

Les commandes sont transmises en tant que <PROGRAM MESSAGES> (messages de programme) par le contrôleur et chaque message n'a aucun élément <PROGRAM MESSAGE UNIT> ou est constitué de plusieurs éléments <PROGRAM MESSAGE UNIT> séparés par des éléments <PROGRAM MESSAGE UNIT SEPARATOR> (séparateur d'unité de message de programme).

Un <PROGRAM MESSAGE UNIT> est une commande quelconque parmi celles de la liste des commandes à distance.

Un <PROGRAM MESSAGE UNIT SEPARATOR> est le caractère point-virgule ';' (3BH).

Les <PROGRAM MESSAGES> sont séparés par des éléments <PROGRAM MESSAGE TERMINATOR> (terminaison de message de programme) qui peuvent être constitués d'un des éléments suivants:

| | |
|--------|--|
| NL | Caractère nouvelle ligne (0AH) |
| NL^END | Caractère nouvelle ligne avec message END |
| ^END | Message END avec le dernier caractère du message |

Les réponses de l'instrument au contrôleur sont transmises en tant que <RESPONSE MESSAGES> (messages de réponse). Un <RESPONSE MESSAGE> est constitué d'un <RESPONSE MESSAGE UNIT> (unité de message de réponse) suivi d'un <RESPONSE MESSAGE TERMINATOR> (terminaison de message de réponse).

Un <RESPONSE MESSAGE TERMINATOR> est le caractère de nouvelle ligne avec le message END NL^END.

Chaque interrogation produit un <RESPONSE MESSAGE> spécifique qui est répertorié avec la commande dans la liste des commandes à distance.

Il n'est pas tenu compte de <WHITE SPACE> sauf dans les identificateurs de commande, par exemple '*C LS' n'est pas équivalent à '*CLS'. <WHITE SPACE> est défini en tant que codes de caractère 00H à 20H inclus, à l'exception du caractère NL (0AH).

Il n'est pas tenu compte du bit haut des caractères.

Les commandes ne font pas de distinction entre les minuscules et les majuscules.

Liste des commandes

Cette section répertorie toutes les commandes et interrogations mises en œuvre dans cet instrument. Les commandes sont répertoriées alphabétiquement dans les groupes de fonction. Noter qu'il n'y a pas de paramètres dépendants, de paramètres couplés, de commandes de chevauchement, d'éléments de données de programme d'expression, ni d'en-têtes de programme de commande composés ; chaque commande est entièrement exécutée avant le démarrage de la commande suivante. Toutes les commandes sont séquentielles et le message de fin d'exécution est généré immédiatement après exécution dans tous les cas.

La nomenclature suivante est utilisée :

| | |
|-------|---|
| <rmt> | <RESPONSE MESSAGE TERMINATOR> |
| <nrf> | Nombre sous tout format, par exemple 12, 12,00, 1,2 e1 ou 120 e-1 est accepté en tant que le numéro 12. Tout numéro, après sa réception, est converti à la précision requise correspondant à l'utilisation, puis arrondi de manière à permettre d'obtenir la valeur de la commande. |
| <nr1> | Nombre sans partie décimale, c.-à-d. nombre entier. |
| <nr2> | Un nombre sous format de virgule fixe, par ex. 11,52, 0,78 etc. |
| <n> | Le numéro du registre de sortie ou d'état auquel la commande se rapporte. Noter que <n>= 3 se rapporte à la sortie auxiliaire. |

Les commandes qui commencent par un * sont celles qui sont spécifiées par la norme IEEE 488.2 en tant que commandes communes. Elles seront toutes opérationnelles lorsqu'elles sont utilisées sur l'interface RS232 mais certaines n'auront qu'une utilisation très restreinte.

Commandes spécifiques de l'instrument

Pour les commandes spécifiées comme 'WITH VERIFY' (avec vérification), le message 'Operation Complete' (opération terminée) est généré quand le paramètre à ajuster atteint la valeur requise à +/-5% ou +/-10 comptes, la plus grande étant retenue. Si la valeur ne parvient pas à se stabiliser dans ces limites dans les 5 secondes, alors le bit 'Verify Timeout' (expiration de la vérification, bit 3) est réglé dans le Standard Event Status Register et le message 'Operation Complete' ne sera pas généré.

Lorsque l'alimentation fonctionne en mode LINK, les commandes qui règlent les valeurs et plages sont appliquées aux sorties 1 et 2 simultanément, que <n> soit réglé sur 1 ou 2. Lorsque la commande demande une vérification, alors la vérification sera recherchée à partir des deux sorties avant que la commande soit terminée. De plus, les commandes SAV<n> et RCL<n> fonctionnent sur la mémoire non-volatile réservée pour les configurations en mode lié et <n> peut

être réglé à 1 ou 2 avec le même effet. Noter cependant que <n> fait partie de l'entête de commande et doit être inclus.

| | |
|------------------|--|
| V<n> <nrf> | règle la sortie <n> à <nrf> Volts |
| V<n>V <nrf> | règle la sortie <n> à <nrf> Volts avec vérification |
| OVP<n> <nrf> | règle le point de déclenchement de protection de surtension de la sortie <n> à <nrf> Volts |
| I<n> <nrf> | règle la limite d'intensité de sortie <n> à <nrf> A. |
| OCP<n> <nrf> | règle le point de déclenchement de protection de surintensité de la sortie <n> à <nrf> A. |
| V<n>? | renvoie la tension réglée – la réponse est V<n> <nr2><rmt> où <nr2> est en Volts |
| I<n>? | renvoie la limite d'intensité réglée – la réponse est I<n> <nr2><rmt> où <nr2> est en A. |
| OVP<n>? | renvoie le réglage de déclenchement de tension – la réponse est VP<n> <nr2><rmt> où <nr2> est en Volts |
| OCP<n>? | renvoie le réglage de déclenchement d'intensité – la réponse est IP<n> <nr2><rmt> où <nr2> est en A. |
| V<n>O? | renvoie la tension de collationnement de la sortie <n> – la réponse est <nr2>V<rmt> où <nr2> est en Volts |
| I<n>O? | renvoie l'intensité de collationnement de la sortie <n> – la réponse est <nr2>A<rmt> où <nr2> est en A |
| RANGE<n> <nrf> | règle la plage de tension à <nrf> où <nrf> a la signification suivante : 0=15V(5A), 1=35V(3A), 2=35V(500mA) |
| RANGE<n>? | renvoie la plage de tension réglée – la réponse est R<n> <nr1><rmt> où <nr1> a la signification suivante : 0=15V(5A), 1=35V(3A), 2=35V(500mA) |
| DELTA V<n> <nrf> | règle la taille de pas de tension de sortie <n> à <nrf> Volts |
| DELTA I<n> <nrf> | règle la taille de pas d'intensité de sortie <n> à <nrf> A |
| DELTA V<n>? | renvoie la taille de pas de tension de sortie <n> – la réponse est DELTA V<n> <nr2><rmt> où <nr2> est en Volts. |
| DELTA I<n>? | renvoie la taille de pas d'intensité de sortie <n> – la réponse est DELTA I<n> <nr2><rmt> où <nr2> est en Volts. |
| INCV<n> | incrémente la tension de sortie <n> de la taille du pas |
| INCV<n>V | incrémente la tension de sortie <n> de la taille du pas avec vérification |
| DECV<n> | décrompte la tension de sortie <n> de la taille du pas |
| DECV<n>V | décrompte la tension de sortie <n> de la taille du pas avec vérification |
| INCI<n> | incrémente la limite d'intensité de sortie <n> de la taille du pas |
| DECI<n> | décrompte la limite d'intensité de sortie <n> de la taille du pas |
| OP<n> <nrf> | règle la commande on/off de sortie <n> où <nrf> a la signification suivante: 0=OFF, 1=ON. Règle <n> à 3 pour contrôler la sortie auxiliaire |
| OPALL <nrf> | Règle simultanément toutes les sorties en marche/arrêt lorsque <nrf> a la signification suivante : 0=Tout OFF, 1=Tout ON. Si OPALL active toutes les sorties, alors celles qui étaient déjà actives le resteront. Si OPALL désactive toutes les sorties alors celles qui étaient déjà coupées le resteront. |

| | |
|----------------|--|
| SENSE<n> <nrf> | règle le mode de détection de sortie <n> où <nrf> a la signification suivante : 0=local, 1=distante |
| MODE <nrf> | règle le mode de fonctionnement de l'instrument sur LINK ou assigne le contrôle à la sortie 1 ou 2 si <nrf> a la signification suivante : 0 = lié, 1 = assigner le contrôle à la sortie 1, 2 = assigner le contrôle à la sortie 2. Régler le mode lié n'affecte que la façon dont l'instrument réponds à certaines commandes à distance. Assigner le contrôle aux sorties 1 ou 2 quitte le mode lié mas n'a aucun autre effet jusqu'à ce que l'instrument soit renvoyé en fonctionnement local. Tout mode de fonctionnement réglé en fonctionnement à distance sera conservé lorsque l'instrument sera renvoyé en fonctionnement local. |
| MODE? | renvoie le mode de fonctionnement actuel – la réponse est LINKED ou CTRL<n> (contrôle assigné à la sortie <n>) |
| TRIPRST | tente de supprimer toutes les conditions de déclenchement |
| LOCAL | passse en local |
| LSR<n>? | interroge et efface LSR<n>, registre d'état limite <n> – la réponse est <nr1><rmt> |
| LSE<n> <nrf> | règle la valeur de LSE1, registre d'activation d'état limite <n>, à <nrf> |
| LSE<n>? | renvoie la valeur de LSE1, registre d'activation d'état limite<n> – réponse : <nr1><rmt> |
| SAV<n> <nrf> | sauvegarde de la configuration actuelle du générateur <n> dans la mémoire de configuration numéro <nrf> où <nrf> peut aller de 0 à 9. Si l'instrument fonctionne en mode lié alors la configuration entière de l'instrument sera enregistrée dans la mémoire de configuration de mode lié spécifiée par <nrf>. La spécification <n> est ignorée. Ceci n'a aucun effet sur les mémoires de configuration individuelles du générateur <n> disponibles hors mode lié |
| RCL<n> <nrf> | rappel d'une configuration du générateur <n> contenue dans la mémoire de configuration numéro <nrf> où <nrf> peut aller de 0 à 9. Si l'instrument fonctionne en mode lié alors la configuration entière de l'instrument sera rappelée de la mémoire de configuration de mode lié spécifiée par <nrf>. La spécification <n> est ignorée. |

Commandes système et commandes d'état

| | |
|------------|---|
| *RST | Réinitialisation de l'instrument aux réglages par défaut (voir la section Réglages par défaut d'usine), à l'exception de tous les réglages d'interface à distance. |
| EER? | Interroge et vide Execution Error Register. Format de la réponse: nr1<rmt>. |
| QER? | Interroge et vide Query Error Register. Format de réponse: nr1<rmt> |
| *CLS | Clear Status. Vidage du Standard Event Status Register, Query Error Register et Execution Error Register. Ceci vide indirectement le Status Byte Register. |
| *ESE <nrf> | Réglage du Standard Event Status Enable Register à la valeur de <nrf>. |
| *ESE? | Renvoi de la valeur dans le Standard Event Status Enable Register sous format numérique <nr1>. Syntaxe de la réponse: <nr1><rmt> |
| *ESR? | Renvoi de la valeur dans le Standard Event Status Register sous format numérique <nr1>. Le registre est maintenant vidé. Syntaxe de la réponse: <nr1><rmt> |
| *IST? | Renvoi du message local ist comme défini par la norme IEEE 488.2. Syntaxe de la réponse : 0<rmt>, si le message local est faux, ou 1<rmt>, si le message local est vrai. |

| | |
|------------|---|
| *OPC | Réglage du bit Operation Complete bit (bit d'exécution d'opération) (bit 0) dans le Standard Event Status Register. Ceci se produira immédiatement après exécution de la commande par suite de la nature séquentielle de toutes les opérations. |
| *OPC? | Interroge l'état Operation Complete. Syntaxe de la réponse: 1<rmt>. La réponse sera disponible immédiatement après exécution de la commande, par suite de la nature séquentielle de toutes les opérations. |
| *PRE <nrf> | Réglage du Parallel Poll Enable Register à la valeur <nrf>. |
| *PRE? | Renvoi de la valeur dans le Parallel Poll Enable Register sous format numérique <nr1>. Syntaxe de la réponse <nr1><rmt> |
| *SRE <nrf> | Réglage du Service Request Enable Register à <nrf>. |
| *SRE? | Renvoi de la valeur du Service Request Enable Register sous format numérique <nr1>. Syntaxe de la réponse: <nr1><rmt> |
| *STB? | Renvoi de la valeur du Status Byte Register sous format numérique <nr1>. Syntaxe de la réponse: <nr1><rmt> |
| *WAI | Attendre que l'opération soit entièrement terminée. Comme toutes les commandes sont entièrement exécutées avant le démarrage de la commande suivante, cette commande ne joue pas de rôle supplémentaire. |

Commandes diverses

| | |
|----------|--|
| *IDN? | Renvoi de l'identification de l'instrument. La réponse exacte est déterminée par la configuration de l'instrument et elle est sous forme <NOM>,<modèle>, 0, <version><rmt> où <NOM> est le nom du constructeur, <modèle> définit le type d'instrument et <version> le niveau de révision du logiciel installé. |
| ADDRESS? | Renvoi de l'adresse bus de l'instrument. La syntaxe de la réponse est <nr1><rmt>. |
| *TST? | Le générateur ne dispose pas de capacité d'essais automatiques et la réponse est toujours 0 <rmt> |
| *TRG | Le générateur ne dispose pas de capacité de déclenchement. |

Commandes spécifiques de calibrage

Se reporter au Manuel d'entretien pour les détails sur les commandes de calibrage spécifiques.

Messages d'erreur

Chaque message porte un numéro ; seul ce numéro est signalé via les interfaces de télécommande. Les numéros de messages d'erreur ne sont pas affichés mais placés dans l'Execution Error Register où ils peuvent être lus via les interfaces distantes, voir la section Rapport d'état.

Maintenance

Les constructeurs ou leurs agents à l'étranger fourniront un service de réparation pour tout appareil qui deviendrait défectueux. Lorsque le propriétaire de l'instrument désire effectuer ses propres travaux de maintenance, cette intervention doit uniquement être effectuée par un personnel expérimenté utilisant le manuel d'entretien que l'on peut se procurer directement auprès du constructeur ou de ses agents à l'étranger.

Nettoyage

S'il faut nettoyer l'instrument, utiliser un chiffon légèrement imbibé d'eau ou de détergent doux.

AVERTISSEMENT! AFIN D'EVITER TOUT CHOC ELECTRIQUE OU D'ENDOMMAGER L'INSTRUMENT, NE JAMAIS LAISSER L'EAU PENETRER A L'INTERIEUR DU BOITIER. POUR EVITER D'ENDOMMAGER LE BOITIER, NE JAMAIS EFFECTUER DE NETTOYAGE AVEC DES DISSOLVANTS.

Diese Stromversorgung wurde nach der Sicherheitsklasse (Schutzart) I der IEC-Klassifikation und gemäß den europäischen Vorschriften EN61010-1 (Sicherheitsvorschriften für Elektrische Meß-, Steuer, Regel- und Laboranlagen) entwickelt. Es handelt sich um ein Gerät der Installationskategorie II, das für den Betrieb von einer normalen einphasigen Versorgung vorgesehen ist.

Das Gerät wurde gemäß den Vorschriften EN61010-1 geprüft und wurde in sicherem Zustand geliefert. Die vorliegende Anleitung enthält vom Benutzer zu beachtende Informationen und Warnungen, die den sicheren Betrieb und den sicheren Zustand des Gerätes gewährleisten.

Dieses Gerät ist für den Betrieb in Innenräumen der Umgebungsklasse 2, für einen Temperaturbereich von 5° C bis 40° C und 20 - 80 % relative Feuchtigkeit (nicht kondensierend) vorgesehen. Gelegentlich kann es Temperaturen zwischen +5° und -10°C ausgesetzt sein, ohne daß seine Sicherheit dadurch beeinträchtigt wird. Betreiben Sie das Gerät jedoch auf keinen Fall, solange Kondensation vorhanden ist.

Ein Einsatz dieses Gerätes in einer Weise, die für diese Anlage nicht vorgesehen ist, kann die vorgesehene Sicherheit beeinträchtigen. Auf keinen Fall das Gerät außerhalb der angegebenen Nennversorgungsspannungen oder Umgebungsbedingungen betreiben.

WARNUNG! - DIESES GERÄT MUSS GEERDET WERDEN!

Jede Unterbrechung des Netzschutzleiters innerhalb oder außerhalb des Gerätes macht das Gerät gefährlich. Eine absichtliche Unterbrechung ist verboten. Die Schutzwirkung darf durch Verwendung eines Verlängerungskabels ohne Schutzleiter nicht aufgehoben werden.

Ist das Gerät an die elektrische Versorgung angeschlossen, so können die Klemmen unter Spannung stehen, was bedeutet, daß beim Entfernen von Verkleidungs- oder sonstigen Teilen (mit Ausnahme der Teile, zu denen Zugang mit der Hand möglich ist) höchstwahrscheinlich spannungsführende Teile bloßgelegt werden. Vor jeglichem Öffnen des Gerätes zu Nachstell-, Auswechsel-, Wartungs- oder Reparaturzwecken, Gerät stets von sämtlichen Spannungsquellen abklemmen.

Kondensatoren in der Stromversorgung können auch noch nach Abschalten sämtlicher Stromversorgung Spannung führen, sie entladen sich jedoch innerhalb von etwa 10 Minuten nach Spannungsabschaltung.

Jegliche Nachstellung, Wartung und Reparatur am geöffneten, unter Spannung stehenden Gerät, ist nach Möglichkeit zu vermeiden. Falls unvermeidlich, sollten solche Arbeiten nur von qualifiziertem Personal ausgeführt werden, das sich der Gefahren bewußt ist.

Ist das Gerät eindeutig fehlerbehaftet, bzw. wurde es mechanisch beschädigt, übermäßiger Feuchtigkeit oder chemischer Korrosion ausgesetzt, so können die Schutzeinrichtungen beeinträchtigt sein, weshalb das Gerät aus dem Verkehr zurückgezogen und zur Überprüfung und Reparatur eingesandt werden sollte.

Sicherstellen, daß nur Sicherungen der vorgeschriebenen Stromstärke und des vorgesehenen Typs als Ersatz verwendet werden. Provisorische "Sicherungen" und der Kurzschluß von Sicherungshaltern ist verboten.

Beim Reinigen darauf achten, daß das Gerät nicht naß wird.

Am Gerät werden folgende Symbole verwendet:



Erdungsklemme



Netz ON (ein)



Netz OFF (aus)



Gleichstrom

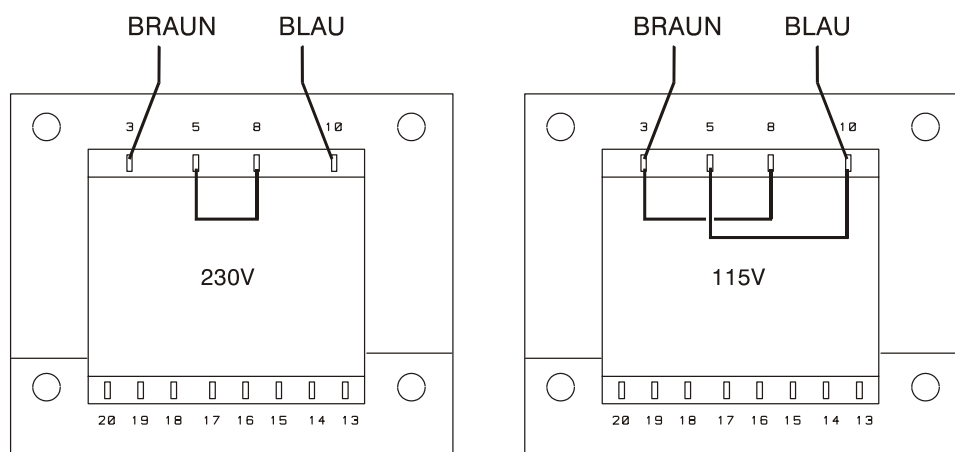


Wechselstrom

Vorbereitung des Geräts

Kontrollieren Sie ob die auf der Geräterückseite angegebene Betriebsspannung dem örtlichen Netz entspricht. Falls die Betriebsspannung umgestellt werden muss ist wie folgt vorzugehen:

- 1) Das Gerät von jeglichen Spannungsquellen trennen.
- 2) Schrauben der Abdeckung lösen und diese abnehmen.
- 3) Die Transformatoranschlüsse nach der entsprechenden Zeichnung unten umstellen:



- 4) Abdeckung wieder montieren und mit den gleichen Schrauben festschrauben.
- 5) Damit das Gerät den Sicherheitsanforderungen entspricht, muss die auf der Rückseite angegebene Betriebsspannung gestrichen und der neue Wert eingetragen werden.
- 6) Sicherung mit dem richtigen Stromwert einsetzen - siehe folgender Abschnitt.

Sicherung

Die Wechselstromsicherung befindet sich im Sicherungsfach im unteren Teil des IEC-Steckers. Zum Wechseln der Sicherung das Netzkabel abziehen und das Sicherungsfach mit einem geeigneten Werkzeug öffnen.

Die Sicherung ist vom Typ 20 x 5 mm, 250 V Hochleistungssicherung (HBC), träge, mit folgendem Stromwert:

| | |
|--------------------|-------------------|
| Für 230 V Betrieb: | 2 A (T) 250 V HBC |
| Für 115 V Betrieb: | 4 A (T) 250 V HBC |

Darauf achten, dass nur Sicherungen mit dem erforderlichen Stromwert und dem angegebenen Typ verwendet werden. Die Verwendung von Behelfssicherungen bzw. das Überbrücken des Sicherungshalters ist ausdrücklich verboten.

Netzkabel

Wurde ein dreiadriges Netzkabel mit blanken Drahtenden geliefert, ist dieses wie folgt anzuschließen:

| | | |
|--------------------|---|---------------------|
| Braun | - | Phasenleiter |
| Blau | - | Nullleiter |
| Grün / Gelb | - | Schutzleiter |

WARNUNG! DIESES GERÄT MUSS GEERDET WERDEN

Bei einer Unterbrechung des Schutzleiters innerhalb oder außerhalb des Geräts wird das Gerät zur Gefahrenquelle. Eine absichtliche Trennung wird untersagt. Die Schutzwirkung darf auch nicht dadurch umgangen werden, dass ein Verlängerungskabel ohne Schutzleiter verwendet wird.

Montage

Dieses Gerät kann sowohl auf einem Tisch als auch in einem Einschub montiert werden und wird mit Füßen zur Tischmontage geliefert. Die vorderen Füße sind verstellbar, um einen optimalen Aufstellwinkel zu erreichen.

Ein Einschubgehäuse zum Einbau der Stromversorgungen aus der XDL Serie ist über den Hersteller oder Ihren Fachhändler erhältlich. Das Einschubgehäuse kann bis zu drei Geräte mit einer 1 HE oder ein Dreifachgerät und ein Einzelgerät aufnehmen. Für nicht verwendete Einschubplätze sind außerdem Abdeckblenden erhältlich.

Belüftung


Das Netzgerät wird durch ein auf der Rückseite befindliches Gebläse mit mehreren Geschwindigkeiten gekühlt. Achten Sie darauf, dass weder die seitlichen Lufteinlassschlitze noch die Auslassschlitze auf der Rückseite blockiert werden. Bei Einschubmontage entweder für ausreichenden Raum um das Gerät herum sorgen, oder ein externes Gebläse zur Zwangskühlung einsetzen.

Anschlüsse

Anschlüsse auf der Vorderseite

Die Last wird an die Plus- (rot) und Minus- (schwarz) Anschlussbuchse mit der Bezeichnung OUTPUT 1, OUTPUT 2 oder AUXILIARY angeschlossen.

Die Fernfühleranschlüsse für die Lasten an Ausgang 1 oder 2 (falls gewünscht) erfolgen über die entsprechenden Plus- (+) und Minus- (-) REMOTE SENSE Buchsen. Der Fernfühler-Betrieb wird über die Tastatur oder eine Fernsteuerungs-Schnittstelle (nur XDL 35-5TP) gewählt. Die Lampe REMOTE SENSE leuchtet auf wenn die Zuleitungskompensation gewählt ist. Nach dem Abschalten der Zuleitungskompensation schaltet das Gerät auf die Strom- und Spannungsüberwachung direkt an den Ausgangsbuchsen zurück.

Die mit  markierte Klemme ist mit dem Gehäuse und dem Schutzleiter verbunden.

Anschlüsse auf der Rückseite

Nebenausgang

Die AUXILIARY OUTPUT Klemmen auf der Vorderseite sind zusätzlich auch auf der Geräterückseite vorhanden (Bezeichnung: AUXILIARY OUTPUT).

Hauptausgang (nur XDL 35-5TP)

Die Ausgangs- und Fernfühleranschlüsse sind auch auf der Geräterückseite vorhanden (Anschlussklemme mit den Bezeichnungen „Output +, Output –, Sense +, Sense –“). Hierbei handelt es sich um Parallelanschlüsse zu den Klemmen auf der Gerätevorderseite.

Der Fernfühler-Betrieb wird über die Tastatur oder eine Fernsteuerungs-Schnittstelle gewählt. Bei Verwendung der rückseitigen Anschlüsse sollte immer auch die Zuleitungskompensation gewählt werden, damit die Stabilisierung der Ausgangsspannung im Rahmen der technischen Daten gewährleistet ist.

RS232 (nur XDL 35-5TP)

9-polige D-Buchse (kompatibel mit dem adressierbaren Modus der RS232-Schnittstelle).
Anschlussbelegung:

| Pin | Name | Beschreibung |
|-----|------|-----------------------------|
| 1 | – | Nicht belegt |
| 2 | TXD | Vom Gerät übertragene Daten |
| 3 | RXD | Vom Gerät empfangene Daten |
| 4 | – | Nicht belegt |
| 5 | GND | Betriebserde |
| 6 | – | Nicht belegt |
| 7 | RXD2 | Sekundär empfangene Daten |
| 8 | TXD2 | Sekundär übertragene Daten |
| 9 | GND | Betriebserde |

Die Stifte 2, 3 und 5 können als herkömmliche RS232-Schnittstelle mit XON/XOFF Handshaking verwendet werden. Die Stifte 7, 8 und 9 werden zusätzlich verwendet, wenn sich das Gerät im adressierbaren RS232-Modus befindet. Die Betriebserde ist mit der Geräteerde verbunden. Die RS232-Adresse wird von der Tastatur aus gesetzt.

GPIB (nur XDL 35-5TP)

Die GPIB-Schnittstelle ist nicht isoliert, d. h. die GPIB-Betriebserde ist mit der Geräteerde verbunden.

Folgende Befehlssätze stehen zur Verfügung:

SH1 AH1 T6 TE0 L4 LE0 SR1 RL1 PP1 DC1 DT1 C0 E2

Die GPIB-Adresse wird von der Tastatur aus gesetzt.

USB (nur XDL 35-5TP)

Der USB-Port ist mit der Geräteerde verbunden. Es wird ein normales USB-Kabel verwendet. Durch die „Plug-and-Play“ Funktionalität unter Windows wird der Anschluss des Netzgeräts normalerweise automatisch erkannt.

Alarm-Ausgänge

Für jeden Hauptausgang stehen versenkt eingebaute 2-polige Anschlüsse mit der Bezeichnung „Alarm“ zur Verfügung. Diese sind mit einem opto-gekoppelten NPN Schalttransistor verbunden, dessen Funktion von der Tastatur aus eingestellt werden kann (siehe Abschnitt „Alarmfunktionen“ dieser Anleitung)

An die Klemmen kann eine maximale Betriebsspannung von 20 VDC angeschlossen werden. Der maximale Strom zum „Schließen“ des Schalters beträgt 1mA.



An den Klemmen keine externen Spannungen über 30 V DC anlegen.

Erstmalige Inbetriebnahme

Dieser Abschnitt des Handbuches dient als allgemeine Einführung zu den Bedienelementen und dem Betrieb des Geräts. Vor dem erstmaligen Einsatz des Netzgeräts sollten Sie diesen Abschnitt durchlesen.

Die Tasten auf der Vorderseite, die Anschlussbuchsen und die Displayinformationen werden in diesem Handbuch in Großbuchstaben dargestellt, z. B. STORE, ESCAPE, OUTPUT, JOG. Die auf der 7-Segment Anzeige erscheinenden Informationen werden in einer anderen Schriftart und mit einer Mischung aus Groß- und Kleinbuchstaben dargestellt, z. B. **StorE**, **GPIb**, **trIP**. Sie entsprechen somit den Zeichen die auf dem Display erscheinen.

Einschalten, Ausgang Ein/Aus

Der Netzschalter befindet sich unten links auf der Gerätevorderseite.

Nach dem Einschalten nimmt das Gerät automatisch die zuletzt verwendeten Einstellungen an, allerdings sind alle Ausgänge zunächst immer stromlos. Der Anwender kann jedoch auch diese Standardeinstellung dahingehend verändern, dass die Ausgänge den gleichen Wert wie beim letzten Abschalten des Geräts annehmen (siehe Abschnitt „Zusatzfunktionen“).

Die Gleichstromausgänge werden über die Taste ON/OFF elektronisch ein- und ausgeschaltet. Bei eingeschaltetem Ausgang leuchtet diese Taste auf. Außerdem können alle Ausgänge gleichzeitig über die Tasten ALL ON bzw. ALL OFF ein- und ausgeschaltet werden.

Gleichzeitiges Ein-/Ausschalten der Ausgänge

Durch Drücken der Taste ALL OFF werden alle eingeschalteten Ausgänge gleichzeitig ausgeschaltet. Bei gleicher Last erfolgt diese Abschaltung normalerweise innerhalb von 1 ms. Sind alle Ausgänge ausgeschaltet, so leuchtet die Taste ALL OFF grün auf. Umgekehrt werden beim Drücken der Taste ALL ON alle Ausgänge gleichzeitig eingeschaltet (bei gleichen Bedingungen für die einzelne Ausgänge geschieht dies wieder innerhalb von 1 ms). War jedoch ein Ausgang zuvor bereits eingeschaltet werden durch Drücken der Taste ALL ON die verbleibenden Ausgänge zugeschaltet. In diesem Fall kann es zu einer Einschaltverzögerung von bis zu 80 ms kommen, selbst bei gleicher Einstellung und Lastbedingungen.

Tastatur

An dieser Stelle wird lediglich auf die grundsätzliche Bedienung der Tastatur eingegangen, die Einstellung der einzelnen Parameter wird in den folgenden Abschnitten ausführlich beschrieben.

Die Bedienung des Netzgeräts wurde so konzipiert, dass der Wechsel auf eine andere Einstellung so „sicher“ wie möglich durchgeführt werden kann (d. h. die Gefahr, dass der angeschlossene Verbraucher einer zu hohen Spannung ausgesetzt wird, möglichst zu verringern) ohne die Bedienungsfreundlichkeit einzuschränken. Dies wurde erreicht indem der Benutzer bei Eingabe neuer Werte immer die Taste OK drücken muss. Durch Drücken der Taste ESCAPE kann eine Änderung jederzeit rückgängig gemacht werden. Andererseits kann der Anwender auch einfach warten bis das Gerät nach einer gewissen Zeitspanne automatisch auf die ursprüngliche Einstellung zurückkehrt .

Zusätzlich wird der Anwender durch akustische Signale, beleuchtete Tasten, LED-Anzeigen und Display-Informationen auf falsche Bedienung bzw. Eingaben aufmerksam gemacht. Ein mit dem Gerät vertrauter Anwender kann auf Wunsch auch bestimmte Warnfunktionen (z. B. Töne oder Blinkanzeigen) ausschalten - siehe Abschnitt „Zusatzfunktionen“ .

Die Möglichkeit Einstellungen für Ausgang 1, Ausgang 2 bzw. beide über die Tastatur oder mit Hilfe des Drehreglers vorzunehmen erfolgt mit den Tasten ◀ CONTROL ▶ 1, 2 oder LINK. Die jeweilige Taste für den Ausgang (1 oder 2) leuchtet auf und zeigt damit an welcher Ausgang eingestellt wird. Im LINK Modus (beide Tasten leuchten) werden beide Ausgänge gleichzeitig geregelt. Dies gilt auch für bestimmte Zweitfunktionen (RANGE, STORE, RECALL und V x A). Die folgenden Beschreibungen gelten, je nachdem welche ◀ CONTROL ▶ Tasten aufleuchten, für nur einen oder für beide Ausgänge gleichzeitig.

Unter normalen Umständen ist die Tastatur gesperrt. Beim Drücken einer Taste ertönt ein zweifacher Warnton und weist damit auf eine unzulässige Bedienung hin. Um eine Spannung bzw. Stromstärke über die Tastatur einstellen zu können, muss zunächst die Taste V oder I (NUMERIC SET) gedrückt werden. Daraufhin erscheint auf der entsprechenden Anzeige der Wert 0,000 V oder 0,000 A (die Ziffer zur linken Seite des Dezimalkommas blinkt). Nun können Zahlenwerte zusammen mit dem Dezimalkomma eingegeben und durch Drücken der Taste OK bestätigt werden. Wurde die OK Taste nicht innerhalb von 10 Sekunden gedrückt, wird der eingegebene Wert annulliert und die Anzeige kehrt auf den vorherigen Wert zurück. Das gleiche gilt wenn die Taste ESCAPE während des Eingabevorgangs gedrückt wurde.

Die OK Taste dient hauptsächlich zur Bestätigung der Tastatureingaben. Sie hat jedoch auch eine zweite Funktion zur Anzeige von Konstantstrom/Konstantspannung (VIEW V/I LIMITS) und bewirkt dann, dass die voreingestellte Ausgangsspannung bzw. Stromstärke 3 Sekunden lang angezeigt wird. Während dieses Zeitraums erscheint der blinkende Hinweis „LIM“ im Display.

Die Taste SHIFT leuchtet beim Drücken auf und bewirkt, dass die Nummerntasten die jeweils angegebene Zweitfunktion annehmen (z. B. STORE, RECALL, etc.). Sobald eine solche Zweitfunktion gewählt worden ist, verliert die SHIFT Taste vorübergehend ihre Funktion (und ist auch nicht länger beleuchtet). Die einzelnen Tastatureingaben zur Ausführung gewählter Funktionen werden weiter unten ausführlich beschrieben. Falls innerhalb von 10 Sekunden keine weitere Taste zur Ausführung einer Funktion gedrückt wurde, wird die jeweilige Funktion ungültig (gleiche Wirkung wie das Drücken der Taste ESCAPE). Die Taste SHIFT ist eine Umschalttaste, d. h. sie wird durch wiederholtes Drücken ein- und ausgeschaltet. SHIFT wird zusätzlich durch Drücken der Taste ESCAPE oder der Tasten SET V bzw. SET I annulliert. Beachten Sie, dass die im LINK Modus zugänglichen STORE und RECALL Einstellungen zusätzlich und getrennt von den STORE und RECALL Einstellungen bei einzeln angewählten Ausgängen vorhanden sind.

Drehregler

Mit dem Drehregler kann die Ausgangsspannung bzw. die Strombegrenzung schrittweise erhöht oder gesenkt werden. Die Schrittgröße wird mit Hilfe der Tasten JOG SET eingestellt. Diese Einstellung wirkt sich sofort auf den Ausgang aus, d. h. es ist nicht notwendig die OK Taste zu drücken.

Nach dem Einschalten ist die schrittweise Einstellung zunächst immer ausgeschaltet. Um die schrittweise Einstellung der Spannung bzw. Stromstärke zu aktivieren, muss die Taste V bzw. I JOG SET gedrückt werden. Die Taste leuchtet auf. Gleichzeitig blinkt die Anzeige JOG unter der Ziffer, die zuletzt eingestellt wurde. Bei beleuchteter V bzw. I JOG SET Taste wird die JOG Anzeige beim jedem Drücken der V bzw. I Taste eine Stelle nach links verschoben. Die Wahl der Schrittgröße erfolgt nach dem Kreislaufprinzip, d. h. nach Erreichen der höchsten Schrittgröße wird beim nächsten Tastendruck wieder die kleinste Schrittgröße gewählt. Beim Einschalten ist automatisch die niederwertigste Ziffer, d. h. also die kleinste Schrittgröße gewählt.

Durch Drehen des Stufenreglers im/gegen den Uhrzeigersinn wird die gewählte Ziffer erhöht/erniedrigt. Ziffern links zur eingestellten Ziffer werden automatisch erhöht/erniedrigt wenn der Zehnerbereich über- bzw. unterschritten wird. Ziffern rechts zur eingestellten Ziffer werden nicht beeinflusst, es sei denn der eingestellte Schritt über-/unterschreitet den maximalen/minimalen Wertebereich. In diesem Fall geht die Ziffer auf Null. Zum Beispiel: im 35 V Einstellbereich bei einer Schrittgröße von 1 V wechselt 33,65 V auf 34,65 V und schließlich auf 35,00 V. Bei einer Schrittgröße von 0,1 A wechselt 0,160 A auf 0,060 A und schließlich auf 0,001 A.

Folgende Schrittgrößen können gewählt werden: 1 mV, 10 mV, 100 mV und 1 mA, 10 mA, 100 mA. Im Bereich 35 V/500 mA sind folgende Schrittgrößen möglich: 0,1 mA, 1 mA, 10 mA.

Der Drehregler kann durch Drücken der Taste JOG SET OFF deaktiviert werden. Durch erneutes Wählen von JOG SET V oder I kann die zuletzt verwendete Ziffernstelle wieder verändert werden. Die Schrittfunktion wird weder durch eine Zifferneingabe auf der Tastatur noch durch Betätigen der SHIFT-Funktionen beeinflusst, ist jedoch bei Wahl einer Zweitfunktion deaktiviert.

Im Konstantspannungsbetrieb zeigt die rechte Anzeige den tatsächlich fließenden Strom an, d. h. nicht den Strombegrenzungswert. Wurde JOG SET I gewählt, so erscheint der Hinweis JOG

unter der gewählten Ziffer (blinkt aber nur mit halber Geschwindigkeit). Um die Auswirkungen eines veränderten Strombegrenzungswerts beobachten zu können, muss der Ausgang entweder ausgeschaltet werden (so dass das Display den Strombegrenzungswert ständig anzeigt) oder es muss die Taste VIEW V/I LIMITS gedrückt werden, woraufhin der Strombegrenzungswert etwa 3 Sekunden lang angezeigt wird. Das langsame Blinken erscheint auch dann, wenn JOG SET V gewählt worden ist und die tatsächliche Spannung angezeigt wird, weil das Netzgerät den Strombegrenzungswert erreicht hat.

Vom Werk aus ist das Netzgerät so konfiguriert, dass die JOG Anzeige ständig unter der gewählten Ziffer blinkt (vorausgesetzt natürlich dass die Schrittfunktion gewählt worden ist), so dass der Benutzer immer weiß welcher Parameter erhöht oder erniedrigt werden kann. Sollte dies nicht genügend Aufmerksamkeit erwecken, kann mit Hilfe der Zusatzfunktionen auch bewirkt werden, dass die ganze Ziffer blinkt. Umgekehrt lässt sich JOG Anzeige auch so einrichten, dass sie überhaupt nicht blinkt (wenn das Blinken als störend empfunden wird). Dies gilt nicht für das langsame Blinken.

Das Display

Das Display zeigt für beide Hauptausgänge die Spannung auf der linken Seite (5 Stellen) und den Strom auf der rechten Seite (4 Stellen) an. Mit Hilfe des 7-Segment Displays können aber auch Informationen für bestimmte Funktionseinstellungen angezeigt werden (z. B. Speicherinformationen oder die Adresseneinstellung bei der Fernbedienung) indem der begrenzte „Zeichensatz“ des 7-Segment Displays voll genutzt wird. Hierbei handelt es sich notwendigerweise um eine Mischung aus Klein- und Großbuchstaben.

Über und unter dem 7-Segment Display befinden sich verschiedene „verdeckte“ Anzeigen. Rechts oben über dem Display befinden sich die Anzeigen zur Darstellung des aktuell gewählten Betriebsbereichs: 35 V/3 A, 15 V/5 A oder 35 V/500 mA. Diese Anzeigen leuchten direkt unter dem Bereich auf, der ganz oben auf dem Gerät aufgedruckt ist. Im Falle des Bereichs 35 V/500 mA wird der Hinweis „mA“ angezeigt, um darauf aufmerksam zu machen, dass gegenwärtig der Milliampere Bereich dargestellt ist. Weiterhin können folgende Anzeigen auf dem Display erscheinen: CI gibt an dass das Gerät im Konstantstrombetrieb arbeitet; LIM blinkt beim Drücken der Taste VIEW V/I LIMITS, um den aktuell gewählten Spannungs-/Strombegrenzungswert anzuzeigen; REM leuchtet auf wenn das Gerät über die Fernbedienungsschnittstelle betrieben wird (gilt nur für XDL 35-5TP).

Unter den drei niederwertigsten Ziffern im Spannungs- und Stromwert-Display befinden sich die JOG Anzeigen - bei Verwendung der Schritt-Funktion blinkt die entsprechende Anzeige auf (siehe Abschnitt „Drehbarer Stufenregler“ oben).

Manueller Betrieb

Erstbenutzer sollten zunächst das Kapitel „Erstmalige Inbetriebnahme“ lesen, um sich mit der prinzipiellen Funktionsweise von Tastatur und Drehregler vertraut zu machen. In den folgenden Abschnitten wird die unabhängige Bedienung der beiden Hauptausgänge mittels Tastatur/Drehregler vorgestellt. Dazu muss zunächst der jeweilige Ausgang gewählt werden, indem die entsprechende ◀ CONTROL ▶ Taste (1 oder 2) gedrückt. Die jeweilige Taste leuchtet anschließend auf.

Die zusätzlich im LINK Modus verfügbaren Funktionen (wenn beide Hauptausgänge gewählt sind) werden im Abschnitt „Hauptausgänge – Link Modus“ weiter unten beschrieben.

Einstellen der Spannung

Das linke Display gibt die Spannung mit einer Auflösung von 1 mV an, es sei denn das Gerät arbeitet im Konstantstrombetrieb (CI). Im CI-Betrieb wird stattdessen die tatsächliche Ausgangsspannung (die unter der eingestellten Spannung liegt) mit einer Auflösung von 10 mV angezeigt. Die letzte Ziffer (Auflösung 1 mV) ist in diesem Fall immer Null.

Die Spannung kann direkt über die numerische Tastatur eingegeben werden: hierzu die Taste NUMERIC SET V drücken, den neuen Wert auf der Tastatur eingeben und mit OK bestätigen. Die allgemeine Vorgehensweise bei der Tastatureingabe ist im Abschnitt „Erstmalige Inbetriebnahme“ beschrieben und sollte zuerst durchgelesen werden.

Wurde SET V gedrückt, so zeigt das Display zunächst den Wert 0,000 an. Ein neuer Spannungswert kann jetzt eingegeben und mit OK bestätigt werden (z. B. wird 12,345 V mit 1, 2, ·, 3, 4, 5 eingegeben). Die Position des Dezimalkommata ist festgelegt, um zu verhindern dass ein falscher Wert eingegeben wird. Aus diesem Grund (und um die Eingabe von führenden Nullen zu vermeiden - z. B. wird 2,345 V mit 2, ·, 3, 4, 5, OK eingegeben) werden die Ziffern links vom Dezimalkomma etwas anders dargestellt, als die Nummern rechts vom Dezimalkomma. Dies erklärt sich bei der Eingabe von selbst.

Die kleinste einstellbare Spannung beträgt 0,000V, der größtmögliche Wert beträgt 35,000 V (15,000 V im Bereich 15 V/5 A).

Durch Drücken der Taste OK wird die eingegebene Spannung eingestellt, wobei alle anderen Ziffern auf Null gesetzt werden. Zum Beispiel ergibt die Tastenfolge 1, 2, ·, 3, OK eine eingestellte Spannung von 12,300 V; 1, OK ergibt 1,000 V. Wird OK unmittelbar nach SET V gedrückt (im Display erscheint der Wert 0,000 V) beträgt die eingestellte Spannung 0,000 V.

Durch Drücken der Taste ESCAPE (oder durch das Unterlassen weiterer Eingaben in den nächsten 10 Sekunden) kehrt das Display auf den Wert zurück, der vor Drücken der Taste SET V Gültigkeit hatte.

Wird eine Spannung außerhalb des Maximalbereichs eingegeben (gilt auch bei der Eingabe von 3 Ziffern vor dem Dezimalkomma), oder wenn versucht wird mehr als 5 Ziffern einzugeben, ertönt ein zweifaches Warnsignal - die zuletzt gedrückte Taste wird ignoriert.

Die Spannung kann auch mit dem Drehregler eingestellt werden. Durch Drücken der Taste JOG SET V wird die V Taste beleuchtet und die JOG Anzeige unter der zuletzt eingestellten Ziffer blinkt auf. Während die V Taste leuchtet, bewirkt jeder weitere Tastendruck ein Verschieben der JOG Anzeige eine Stelle nach links. Dies geschieht im Kreislauf, so dass nach Erreichen der höchsten Schrittgröße wieder die kleinste Schrittgröße gewählt wird. Beim Einschalten ist automatisch die niederwertigste Ziffer, d. h. also die kleinste Schrittgröße gewählt. Die wählbaren Schrittgrößen sind 1 mV, 10 mV und 100 mV.

Bei aktivierter Schritteinstellung kann die Ausgangsspannung mit Hilfe des Drehreglers erhöht oder erniedrigt werden, wobei die Schrittgröße durch die Position der blinkenden JOG Anzeige angezeigt wird. Die Ausgangsspannung verändert sich sofort nach der Neueinstellung, die Taste OK muss nicht gedrückt werden. Befindet sich der Ausgang im Konstantstrombetrieb (blinkende CI Anzeige) zeigt das linke Display die tatsächliche, anstelle der eingestellten Spannung an. Wurde JOG SET V gewählt, blinkt die JOG Anzeige unter der gewählten Ziffer mit halber Geschwindigkeit. Um die Auswirkungen eines veränderten Strombegrenzungswerts beobachten

zu können, muss der Ausgang entweder ausgeschaltet werden (so dass das Display den Strombegrenzungswert ständig anzeigt), oder es muss die Taste VIEW V/I LIMITS gedrückt werden, woraufhin der Strombegrenzungswert etwa 3 Sekunden lang angezeigt wird.

Zu beachten ist, dass im Konstantstrombetrieb die tatsächliche Spannung gemessen und mit einer Auflösung von 10 mV angezeigt wird (die 1 mV Ziffer zeigt Null an).

Weitere Einzelheiten zum Drehregler finden sich im Kapitel „Erstmalige Inbetriebnahme“.

Einstellen der Strombegrenzung

Bei ausgeschaltetem Ausgang zeigt das rechte Display den Strombegrenzungswert mit einer Auflösung von 1 mA an (0,1 mA im Bereich 35 V/500 mA).

Der Strombegrenzungswert kann direkt über die numerische Tastatur eingegeben werden: hierzu die Taste NUMERIC SET I drücken, den neuen Wert über die Tastatur eingeben und mit OK bestätigen. Die allgemeine Vorgehensweise bei der Tastatureingabe ist im Abschnitt „Erstmalige Inbetriebnahme“ beschrieben und sollte von zuerst durchgelesen werden.

Wurde SET I gedrückt, so zeigt das Display zunächst den Wert 0,000 an. Ein neuer Stromwert kann jetzt eingegeben und mit OK bestätigt werden (z. B. wird 1,234 A als 1, ·, 2, 3, 4 eingegeben). Die Position des Dezimalkommata ist festgelegt, um zu verhindern dass ein falscher Wert eingegeben wird. Aus diesem Grund (und um die Eingabe von führenden Nullen zu vermeiden - z. B. wird 0·234 A mit ·, 2, 3, 4, OK eingegeben) werden die Ziffern links vom Dezimalkomma etwas anders dargestellt, als die Nummern rechts vom Dezimalkomma. Dies erklärt sich bei der Eingabe von selbst.

Der kleinste einstellbare Strom beträgt 0,001 A (0,1 mA im Bereich 500 mA), der größtmögliche Wert beträgt je nach gewähltem Bereich 3,000 A, 5,000 A oder 500,0 mA, d. h. es findet keine automatische Bereichsüberschreitung statt.

Durch Drücken der Taste OK wird der jeweils eingegebene Stromwert eingestellt und alle anderen Ziffern auf Null gesetzt. Zum Beispiel ergibt die Tastenfolge 1, ·, 2, OK einen eingestellten Strom von 1,200 A; 1, OK ergibt 1,000 A. Wird OK unmittelbar nach SET V gedrückt (im Display erscheint der Wert 0,000 A) beträgt der eingestellte Strom 0,001 A.

Durch Drücken der Taste ESCAPE (oder durch Unterlassen weiterer Eingaben in den nächsten 10 Sekunden) kehrt das Display auf den Wert zurück, der vor Drücken der Taste SET I Gültigkeit hatte.

Wird eine Spannung außerhalb des Maximalbereichs eingegeben (gilt auch bei der Eingabe von 2 Ziffern vor dem Dezimalkomma), oder wenn versucht wird mehr als 4 Ziffern einzugeben, ertönt ein zweifaches Warnsignal - die zuletzt gedrückte Taste wird ignoriert.

Der Strombegrenzungswert kann auch mit dem Drehregler eingegeben werden. Durch Drücken der Taste JOG SET I wird die I Taste beleuchtet und die JOG Anzeige unter der zuletzt eingestellten Ziffer blinkt auf. Während die I Taste leuchtet bewirkt jeder weitere Tastendruck ein Verschieben der JOG Anzeige eine Stelle nach links. Dies geschieht im Kreislauf, so dass nach Erreichen der höchsten Schrittgröße wieder die kleinste Schrittgröße gewählt wird. Beim Einschalten ist automatisch die niederwertigste Ziffer, d. h. also die kleinste Schrittgröße gewählt. Die wählbaren Schrittgrößen sind 1 mA, 10 mA und 100 mA (0,1 mA, 1 mA und 10 mA im Bereich 35 V/500 mA).

Bei aktivierter Schritteinstellung kann der Strombegrenzungswert mit Hilfe des Drehreglers erhöht oder erniedrigt werden, wobei die Schrittgröße durch die Position der blinkenden JOG Anzeige angegeben wird. Der Ausgangsstrom verändert sich sofort nach der Neueinstellung, die Taste OK muss nicht gedrückt werden. Bei eingeschaltetem Ausgang zeigt das rechte Display den tatsächlichen Stromwert und nicht den Strombegrenzungswert an (außer im Konstantstrombetrieb). Wurde JOG SET I gewählt blinkt die JOG Anzeige unter der gewählten Ziffer mit halber Geschwindigkeit. Um die Auswirkungen eines veränderten Strombegrenzungswerts beobachten zu können, muss der Ausgang entweder ausgeschaltet werden (so dass das Display den Strombegrenzungswert ständig anzeigt) oder es muss die Taste VIEW V/I LIMITS gedrückt werden, woraufhin der Strombegrenzungswert etwa 3 Sekunden lang angezeigt wird.

Momentanstrom

Mit Hilfe der Strombegrenzungsfunktion kann der Dauerausgangsstrom bis auf 1 mA herab begrenzt werden (0,1 mA im 500 mA Bereich). Wie bei allen Präzisionsnetzgeräten wird jedoch auch hier der Ausgang mit einem Kondensator überbrückt, um eine stabile Ausgangsspannung und ein gutes dynamisches Verhalten zu gewährleisten. Dieser Kondensator lädt sich bis zur Höhe der Ausgangsspannung auf und erzeugt beim Kurzschließen des Ausgangs durch seine Entladung einen Stromimpuls, auf den die Strombegrenzung keinen Einfluss hat.

Bereichswahl

Das Netzgerät verfügt über drei Bereiche: 35 V/3 A, 15 V/5 A und 35 V/500 mA. Der gewählte Bereich wird durch eine beleuchtete Anzeige unter der entsprechenden Beschriftung oben rechts auf dem Gerät angezeigt. Im Bereich 35 V/500 mA erscheint die Anzeige „mA“, um darauf hinzuweisen dass der Strommesser Milliampere anstelle von Ampere angibt.

Um den Bereich zu wechseln, die Taste SHIFT gefolgt von ◀ RANGE bzw. RANGE ▶ drücken. Jeder Tastendruck auf ◀ RANGE wählt den nächsten Bereich links, während jeder Druck auf die Taste RANGE ▶ den nächsten Bereich rechts auswählt (kein Kreislaufeffekt). Beim Wechseln des Bereichs blinkt die Anzeige des jeweiligen Bereichs zusammen mit der OK Taste. Durch Drücken auf OK wird der neue Bereich bestätigt. Sie können den Bereichswechsel annullieren indem Sie auf ESCAPE drücken. Wird während des Bereichswechsels eine andere Taste gedrückt ertönt ein zweifacher Warnton, ansonsten hat das Drücken einer falschen Taste keine Folgen. Falls die Taste OK nicht innerhalb von 10 Sekunden gedrückt wurde, bleibt der Bereich in der vorherigen Einstellung.

Der Bereich kann nur bei ausgeschaltetem Ausgang gewechselt werden. Werden die Tasten ◀ RANGE bzw. RANGE ▶ bei eingeschaltetem Ausgang gedrückt blinken die Tasten ON/OFF und OK. Daraufhin kann entweder der Ausgang mit der Taste ON/OFF ausgeschaltet werden um dann nach Drücken auf OK auf einen anderen Bereich zu wechseln, oder Sie können direkt auf OK drücken. In diesem Fall wird der Ausgang automatisch abgeschaltet, so dass eine andere Bereichswahl möglich ist.

Wird der jeweils eingestellte Strom- oder Spannungsgrenzwert durch einen neu gewählten Bereich überschritten, so ist die Bereichswahl zwar gültig, doch wird die Einstellung auf den Maximalwert des neu gewählten Bereichs begrenzt.

Zu beachten ist, dass der eingestellte Überspannungsschutz (OVP) beim Bereichswchsel nicht verändert wird (so bleibt z. B. eine OVP-Einstellung von 38 V auch im 15 V Bereich gültig). Der Benutzer muss also die Überspannungseinstellung selbst vornehmen.

Anschluss der Last

Die Last wird an die Plus- (rot) und Minus- (schwarz) Klemmen mit der Bezeichnung OUTPUT angeschlossen. Beide Klemmen sind galvanisch getrennt und können daher an Erde gelegt werden.

Fernfühler

Obwohl das Gerät eine sehr geringe Ausgangsimpedanz besitzt, erhöht sich diese zwangsweise durch den Widerstand der angeschlossenen Kabel. Bei hohen Strömen ergibt sich hieraus ein deutlicher Unterschied zwischen der angezeigten Quellspannung und der tatsächlichen Lastspannung (zwei Anschlusskabel mit 20 mΩ erzeugen z. B. bei einem Strom von 5 A einen Spannungsabfall von 0,2 V). Dieses Problem lässt sich zwar durch Verwendung kurzer Anschlusskabel mit großem Querschnitt zwar einschränken, aber besser ist es diesen Effekt mit Hilfe der Fernfühlerfunktion ganz zu umgehen.

Dazu müssen die Fernfühlerklemmen (Sense) an der Last anstelle der Spannungsquelle angeschlossen werden. Schließen Sie die Kabel an die Federklemmen des REMOTE SENSE Anschlusses und direkt an der Last an.

Wählen Sie die Fernfühlerfunktion durch Drücken der Tasten SHIFT, SENSE. Die Taste OK blinkt, die Lampe über den Fernfühleranschlüssen leuchtet auf und zeigt damit an, dass diese Funktion nach Drücken auf OK aktiviert wird. Mit OK bestätigen oder mit ESCAPE annullieren. Die

Fernfühlerfunktion wird durch erneutes Drücken auf SHIFT, SENSE wieder abgeschaltet (OK blinkt, die Fernfühlerleuchte geht aus und zeigt damit an, dass die Fernfühlerfunktion nach Drücken auf OK abgeschaltet wird. Mit OK bestätigen oder mit ESCAPE annullieren.

Um Instabilität und dynamisches Fehlverhalten zu vermeiden muss darauf geachtet werden, dass eine gute Verbindung zwischen jedem Ausgangs- und Fernfühlerkabel besteht. Dies wird erreicht indem man entweder die Kabel miteinander verdrillt oder ein abgeschirmtes Koaxialkabel verwendet (die Fernfühlerleitung bildet hierbei den Innenleiter). Auch ein Elektrolytkondensator der direkt den Lastanschluss überbrückt kann hilfreich sein.

Der Spannungsabfall des jeweiligen Ausgangskabels darf 0,5 Volt nicht überschreiten.

Das Modell XDL 35-5TP verfügt über Ausgangs- und Sense-Klemmen auf der Rückseite (nützlich beim Regaleinbau). Die Sense-Klemmen auf der Rückseite sind immer in Verbindung mit den Ausgangsklemmen auf der Rückseite zu verwenden.


Falscher Anschluss im Sense-Betrieb

Der Ausgang schaltet sich automatisch ab wenn die Spannungsdifferenz zwischen einem Ausgang und dem zugehörigen Sense-Anschluss ca. 1 V überschreitet. Dies ist dann der Fall wenn die Fernfühlerkabel falsch an der Last angeschlossen sind oder wenn versucht wird einen Strom über die Sense-Kabel zu entnehmen.

In einem solchen Fall erscheint die Meldung **SENSE trip** auf dem Display und der Ausgang wird abgeschaltet. Wird nun ESCAPE gedrückt, zeigt das Display die voreingestellte Spannung und den Stromgrenzwert an. Nach Beseitigung der Fehlerquelle kann der Ausgang wieder eingeschaltet werden.

Serielle oder Parallelschaltung mit anderen Spannungsquellen

Der Ausgang des Netzgeräts ist galvanisch getrennt und kann mit anderen Netzgeräten in Reihe geschaltet werden, um hohe Gleichstromspannungen bis zu 300 V DC zu erzeugen.

Die maximal zulässige Spannung zwischen einer Anschlussklemme und Erde () beträgt 300 V DC.

WARNUNG! Spannungen dieser Größenordnung sind äußerst gefährlich. Daher müssen die Ausgangsklemmen bei Verwendung derartiger Spannung unbedingt vor Berührung geschützt werden. Auf keinen Fall dürfen die Ausgangsklemmen in einem solchen Fall berührt werden. Sämtliche Anschlüsse an den Klemmen dürfen erst dann erfolgen, wenn alle betreffenden Netzgeräte ausgeschaltet sind.

Zu beachten ist, dass das Gerät nur als Stromquelle dient und keine Ströme ableiten kann, d. h. es können keine gegenphasigen Geräte angeschlossen werden.

Das Gerät kann auch mit anderen Netzteilen parallel geschaltet werden um eine höhere Stromabgabe zu erzielen. Werden mehrere Geräte parallel geschaltet, entspricht die Ausgangsspannung dem Gerät mit der höchsten Ausgangsspannung. Dies gilt nur solange der Strombegrenzungswert des betreffenden Geräts nicht erreicht wird. Ist dies der Fall fällt die Ausgangsspannung auf die nächsthöchste Einstellung ab usw. Bei Konstantstrombetrieb können mehrere Geräte parallel geschaltet werden um einen Strom mit der Summe der jeweiligen Stromgrenzwerte bereit zu stellen.

Beachten Sie ,dass die Ausgangsklemmen für einen maximalen Strom von 15 A ausgelegt sind. Sollen mehrere Quellen parallel geschaltet werden um einen höheren Strom zu erreichen muss die Verbindung an einer anderen Stelle erfolgen und nicht an einer der Anschlussklemmen.

Überspannungsschutz

Der Überspannungsschutz (OVP) kann zwischen 1,0 V und 40 V eingestellt werden. Übersteigt die Ausgangsspannung den eingestellten OVP-Wert schaltet sich der Ausgang sofort ab (generell innerhalb von 100 μ s) und verhindert somit eine Beschädigung der angeschlossenen Testschaltung. Der Überspannungsschutz gilt für den Fall dass unbeabsichtigt eine zu hohe Spannung am Gerät oder über die Fernbedienung eingestellt wird, aber auch wenn eine zu hohe Fremdspannung an den Ausgangsklemmen anliegt oder die Steuerschaltung im Gerät selbst versagt.

Der Überspannungsschutz wird durch Drücken auf SHIFT, OVP eingestellt. Die Anzeige für die Schrittgröße 100 mV leuchtet auf und die JOG Anzeige blinkt. Nun kann der OVP-Wert mit dem Drehregler in 100 mV Schritten erhöht bzw. erniedrigt werden. Durch Drücken auf OK wird die neue Einstellung bestätigt. Mit der Taste ESCAPE kann die Einstellung rückgängig gemacht werden. Der werksseitig voreingestellte Wert ist 40,0 V.

Wurde der Überspannungsschutz ausgelöst, erscheint die Meldung **OVP triP** auf dem Display und der Ausgang wird abgeschaltet. Durch Drücken auf ESCAPE wird die Meldung ausgeblendet, das Display zeigt nun die Einstellwerte für Spannungs- und Strombegrenzung an. Nachdem die Ursache für den Auslöser behoben ist (oder der Grenzwert verändert wurde) kann der Ausgang wieder eingeschaltet werden.

Beachten Sie bitte dass sich der OVP-Wert bei einer Bereichsumstellung nicht ändert (so bleibt z. B. eine OVP-Einstellung von 38 V auch im 15 V Bereich gültig). Es ist daher Aufgabe des Benutzers die OVP-Einstellung ggf. neu anzupassen.

Zu beachten ist auch, dass es möglich ist, einen Überspannungswert einzugeben der unter der eingestellten Ausgangsspannung liegt. Befindet sich das Gerät im Konstantstrombetrieb liegt die Ausgangsspannung ohnehin unter der eingestellten Spannung. In diesem Fall kann der OVP-Wert so gesetzt werden, dass er über der tatsächlichen, jedoch unter der eingestellten Ausgangsspannung liegt. Auf diese Weise schaltet sich der Ausgang automatisch ab wenn ein Fehler vorliegt bei dem die Lastimpedanz steigt und damit auch die tatsächliche Ausgangsspannung den OVP-Wert überschreitet.

Überstromschutz

Der Überstromschutz (OCP) kann zwischen 0,01 A und 5,5 A eingestellt werden. Übersteigt der Ausgangsstrom den eingestellten OCP-Wert schaltet sich der Ausgang ab (generell innerhalb von 35 ms).

Der Überstromschutz wird durch Drücken auf SHIFT, OCP eingestellt. Die Anzeige für die Schrittgröße 10 mA (JOG) blinkt. Nun kann der OCP-Wert mit dem Drehregler in 10 mA Schritten erhöht bzw. erniedrigt werden. Durch Drücken auf OK wird die neue Einstellung bestätigt. Mit der Taste ESCAPE kann die Einstellung rückgängig gemacht werden. Der werksseitig voreingestellte Wert ist 5,50 A.

Wurde der Überstromschutz ausgelöst, erscheint die Meldung **OCP triP** auf dem Display und der Ausgang wird abgeschaltet. Durch Drücken auf ESCAPE wird die Meldung ausgeblendet, das Display zeigt nun die Einstellwerte für Spannungs- und Strombegrenzung an. Nachdem die Ursache für den Auslöser behoben ist (oder der Grenzwert verändert wurde) kann der Ausgang wieder eingeschaltet werden.

Beachten Sie bitte, dass sich der OCP-Wert (wie beim Überspannungsschutz) bei einer Bereichsumstellung nicht ändert.

Zu beachten ist auch, dass es möglich ist einen Überstromwert einzugeben, der unter dem eingestellten Strombegrenzungswert liegt. So kann das Netzgerät z. B. dazu verwendet werden ein Testgerät mit einer Spitzenstromaufnahme von z. B. 2 Ampere wiederholt zu prüfen. Ein fehlerhaftes Testgerät würde jedoch einen Strom von mehr als 2 Ampere aufnehmen und durch die 2 A Strombegrenzung nicht vor Beschädigung geschützt werden. In diesem Fall könnte die Strombegrenzung auf 2,1 A und der OCP-Wert auf 2,0 A eingestellt werden, um sicherzustellen dass ein fehlerhaftes Testgerät zur Abschaltung der Spannungsversorgung führt.

Schutz des Ausgangs

Neben OVP und OCP zum Überspannungs- bzw. Überstromschutz ist der Ausgang zusätzlich durch eine Diode gegen eine Rückspannung geschützt. Diese Rückspannung darf 3 Ampere nicht überschreiten (Spannungsspitzen können erheblich höher liegen).

Ausgangsleistung (V x A)

Nach Drücken auf SHIFT, V x A zeigt das Spannungs-Display das Produkt aus gemessener Ausgangsspannung und gemessenem Strom an. Im Display erscheint **VA**. Der angezeigte Wert V x A stellt eine Momentaufnahme dar, d. h. es wird die momentan gemessene Ausgangleistung

und nicht die Dauer-Nennleistung angezeigt. Der angezeigte Wert bleibt erhalten, solange die Taste gedrückt ist. Durch Drücken auf V x A wird die Umschaltfunktion (SHIFT) annulliert. Während V x A angezeigt ist, wird die Schrittfunktion vorübergehend deaktiviert (die JOG Anzeigen sind ausgeschaltet).

Temperaturschutz

Bei Überschreiten der internen Temperaturgrenze (z. B. weil die Lüfter blockiert sind) schaltet sich der Ausgang aus und das Display zeigt die Meldung **OTP trip**. Wird nun ESCAPE gedrückt sind zwei Vorgänge möglich:

- i. Falls keine Übertemperatur mehr gegeben ist, wird die Meldung gelöscht. Das Display zeigt wieder die eingestellte Spannung und den Strombegrenzungswert an. Vorausgesetzt die Ursache für das Auftreten der Übertemperatur wurde behoben kann der Ausgang wieder eingeschaltet werden.
- ii. Liegt die Temperatur des Geräts weiterhin über dem Grenzwert, blinkt die **OTP trip** Meldung langsam bis sich das Gerät abgekühlt hat. Danach zeigt das Display wieder die eingestellte Spannung und den Strombegrenzungswert an. Vorausgesetzt die Ursache für das Auftreten der Übertemperatur wurde behoben kann der Ausgang wieder eingeschaltet werden.

Alarmausgang

Der versenkt montierte 2-polige Anschluss auf der Geräterückseite ist direkt mit einem optogekoppelten NPN-Schalttransistor verbunden (Pin 1 Emitter, Pin 2 Kollektor) der entsprechend den Bedingungen im Abschnitt „Zusatzfunktionen“ (siehe weiter unten) schaltet. Die Standardeinstellung ist ein Schließen des Schalters unter jeglichen Auslösebedingungen (OVP, OCP, SENSE oder OTP). Die maximale Leerlaufspannung für diesen Schalter beträgt 30 VDC, der Nennstrom zum Schließen des Schalters ist 1 mA.

Einstellungen speichern

Das Gerät kann für jeden Ausgang 10 Einstellungen permanent speichern. Bei den gespeicherten Parametern handelt es sich um: Bereich, Spannung, Strombegrenzungswert, OVP und OCP. Der Ausgangsstatus und die Einstellungen für den Fernfühler werden nicht gespeichert.

Um eine Einstellung zu speichern werden die Tasten SHIFT, STORE, Speicher-Nr., und OK gedrückt. Die Speichernummer kann die Werte 0 bis 9 annehmen.

Nach Drücken von SHIFT, STORE erscheint die Meldung **Store** – auf dem Display. Die Umschaltfunktion (SHIFT) wird deaktiviert (die Lampe erlischt). Wird nun eine Zifferntaste gedrückt erscheint, die jeweilige Nummer anstelle von – im Display mit der Kennzeichnung **E** (Speicher leer) oder **F** (Speicher voll) daneben - z. B. **Store 1.E**, **Store 2.F** . Alle Speicher können durch Drücken einer Ziffer nach der anderen kontrolliert werden (ohne dass jedes Mal SHIFT, STORE gedrückt werden muss) bevor die gewählte Speichernummer schließlich mit OK bestätigt wird. Ein belegter Speicher kann mit neuen Einstellungen überschrieben werden. Durch Drücken auf ESCAPE (oder 10 Sekunden Wartezeit) kann die Speicherfunktion jederzeit deaktiviert werden, vorausgesetzt die OK Taste wurde noch nicht betätigt.

Speichereinstellungen löschen

Jeder beliebige Speicher kann wie folgt gelöscht werden: den gewünschten Speicher durch Drücken von SHIFT, STORE, Speicher-Nr. wählen. Dann die Taste **•** drücken. Im Display erscheint die Meldung **dELEt** anstelle von **Store** , z. B. **dELEt 2.F** . Durch Drücken auf OK wird der Inhalt des betreffenden Speichers gelöscht.

Einstellungen aufrufen

Um eine bestimmte Speichereinstellung aufzurufen wird die Tastenfolge SHIFT, RECALL, Speicher-Nr., OK gedrückt. Die Speichernummer ist eine Zahl von 0 bis 9. Nach Drücken von SHIFT, RECALL erscheint **rECAL** – im Display. Die Umschaltfunktion wird deaktiviert (die

Lampe erlischt). Wird nun eine Zifferntaste zwischen 0 und 9 gedrückt, erscheinen die jeweiligen Spannungs- und Stromeinstellungen im Display. Das Display blinkt um darauf aufmerksam zu machen, dass eine Einstellung aufgerufen wurde.

Durch Drücken einer Ziffer nach der anderen können beliebige Speichernummern aufgerufen werden (ohne dass jedes Mal SHIFT, RECALL gedrückt werden muss) bevor die gewählte Speichernummer schließlich mit OK bestätigt wird. Ein leerer Speicher wird durch ein blinkendes – Symbol für jede Displaystelle angezeigt. Durch Drücken auf ESCAPE (oder 10 Sekunden Wartezeit) kann die Speicherfunktion jederzeit deaktiviert werden, vorausgesetzt die OK Taste wurde noch nicht betätigt.

Einstellungen können unabhängig davon ausgerufen werden, ob der Ausgang ein- oder ausgeschaltet ist. Tritt bei der aufgerufenen Speichereinstellung jedoch ein Bereichswechsel auf wird der Ausgang abgeschaltet, um etwaige „Pannen“ zu vermeiden. Nach Drücken von SHIFT, RECALL, Speicher-Nr. blinkt die ON/OFF Taste (in Verbindung mit der OK Taste) wenn die Wahl des aufgerufenen Speichers einen Bereichswechsel nach sich ziehen würde. Der Ausgang kann mit der ON/OFF Taste ausgeschaltet werden, um die aufgerufene Speichereinstellung dann mit OK zu aktivieren. Es ist auch möglich OK direkt zu drücken, um den Ausgang automatisch abzuschalten und die aufgerufene Einstellung auf diese Weise zu aktivieren.

Zusatzfunktionen

Die vom Werk aus eingestellten Funktionen können mit Hilfe der Taste # (Zusatzfunktionen) vom Benutzer verändert werden. Alle Funktionsänderungen (siehe folgende Tabelle) wird durch Drücken der Tastenfolge SHIFT, #, nn eingeleitet, wobei sich „nn“ auf die 2-stellige Nummer in der Tabelle bezieht. Das Display zeigt nach Drücken der Tasten SHIFT, # **HASH No. _** an. Nach Eingabe der 2-stelligen Nummer ertönt ein Bestätigungssignal. Wie bereits anfangs beschrieben können die # Funktionen für jeden Hauptausgang getrennt (d. h. unterschiedlich) eingestellt werden. Zu beachten ist jedoch, dass die Funktionen #02, #03 und #21, die sich auf den Nebenausgang beziehen, nur gesetzt werden können, wenn ◀ CONTROL ▶ auf Ausgang 1 eingestellt ist.

| # Code | Funktion |
|--------|--|
| 00 | Hauptausgänge sind beim Einschalten immer ausgeschaltet (Werkseinstellung) |
| 01 | Ausgangsstatus beim Einschalten der gleiche wie beim letzten Ausschalten |
| 02 | Nebenausgang beim Einschalten immer ausgeschaltet (Werkseinstellung). Wird mit der Steuerung für Ausgang 1 gesetzt. |
| 03 | Nebenausgangsstatus beim Einschalten der gleiche wie beim letzten Ausschalten. Wird mit der Steuerung für Ausgang 1 gesetzt. |
| 20 | Alarmausgang bei ausgeschaltetem Ausgang 'offen', bei eingeschaltetem Ausgang 'geschlossen'. |
| 21 | Alarmausgang 'geschlossen' wenn sich der Nebenausgang im Strombegrenzungsbereich befindet. Wird mit der Steuerung für Ausgang 1 gesetzt; gilt nur für den Alarm des Ausgangs 1. |
| 22 | Alarmausgang 'geschlossen' bei Auslösen des Übertemperaturschutzes |
| 23 | Alarmausgang 'geschlossen' bei Auslösen des im Sense-Betrieb |
| 24 | Alarmausgang 'geschlossen' bei Auslösen des Überstromschutzes |
| 25 | Alarmausgang 'geschlossen' bei Auslösen des Überspannungsschutzes |
| 26 | Alarmausgang 'geschlossen' bei allen Auslösern (Standardeinstellung) |
| 30 | Akustisches Signal aus |
| 31 | Akustisches Signal ein (Standardeinstellung). Ein einzelner Ton dient zur Bestätigung, ein doppelter Ton weist auf eine falsche Eingabe hin. |

- 40 JOG Anzeige blinkt, JOG Anzeige blinkt nur bei wenn JOG „verdeckt“ ist
- 41 JOG Anzeige blinkt immer, außer wenn „verdeckt“ (Werkseinstellung)
- 42 JOG Anzeige blinkt nicht, außer wenn „verdeckt“ (langames Blinken)
- 91 Lädt die Standard-Kalibrierparameter. Siehe Wartungshandbuch
- 92 Zeigt die Firmware-Version im Display an
- 93 Stellt diese Zusatzfunktionen (#) auf Werkseinstellung zurück
- 99 Kalibriermodus. Siehe Wartungsanleitung.

Standardeinstellungen

Vom Werk aus wurden folgende Standardeinstellungen gesetzt, die beim ersten Einschalten des Geräts gültig sind:

| | |
|------------------|--|
| Bereich: | 35 V/3A |
| Spannung: | 1,000V |
| Strombegrenzung: | 1,000A |
| OVP: | 40 V |
| OCP: | 5.5 A |
| Ausgang: | Ausgang aus; Fernfühler aus |
| # Einstellungen: | 00 Hauptausgang beim Einschalten immer ausgeschaltet |
| | 02 Nebenausgang beim Einschalten immer ausgeschaltet (# Funktion nur für Ausgang 1 gültig) |
| | 26 Alarmausgang beim Auslösen 'geschlossen ' |
| | 31 akustisches Signal ein |
| | 41 JOG Anzeige blinkt immer; langsames Blinken wenn „verdeckt“ |
| RS232: | 9600 Baud (nur XDL 35-5TP) |
| Adresse: | 11 (nur XDL 35-5TP) |

Fehlermeldungen

Die folgenden Hardware-Fehler werden mit der entsprechenden Nummer im Display angezeigt. Die Taste OK blinkt. Wird sie gedrückt so wird der Fehler ignoriert und der Betrieb wird wie beschrieben fortgesetzt.

| Fehler Nr. | Fehlerbeschreibung | Wirkung bei Drücken auf OK |
|------------|---|--|
| 1 | Kalibrierkonstanten wurden beim Einschalten korruptiert | Standard Kalibrierparameter werden geladen |
| 2 | Extrafunktionen (#) wurden beim Einschalten korruptiert | Lädt Standard #-Einstellungen |
| 3 | Abschalteinstellungen wurden beim Einschalten nicht korrekt geladen | Lädt Standard-Einschalteinstellungen |

Wird das Gerät ausgeschaltet während eine Fehlermeldung angezeigt ist bleiben alle Einstellungen unverändert.

Hauptausgänge – Link Modus

Im Link Modus (wird durch Drücken der LINK Taste gewählt) erfolgt die Einstellung der wichtigsten Parameter für die beiden Hauptausgänge synchron. Wenn der Link Modus gewählt ist

leuchten beide ◀ CONTROL ▶ Tasten (1 und 2) auf und zeigen damit an, dass beide Ausgänge aktiv sind.

Im Folgenden werden nur die Unterschiede zwischen unabhängigem und synchronem Betrieb beschrieben. Beziehen Sie sich daher bitte auch auf die entsprechenden Abschnitte unter der Überschrift "Hauptausgänge".

Betrieb im Link Modus - Überblick

Die beiden Hauptausgänge können "synchron" gesteuert werden, so dass sich alle Einstellungen auf beide Ausgänge gleichzeitig auswirken. Dies kann aus verschiedenen Gründen wünschenswert sein:

1. Parallel - oder Reihenschaltung

Auf diese Weise lässt sich die zweifache Spannung bzw. die doppelte Stromkapazität erzeugen - siehe dazu den Abschnitt zur Parallel - und Reihenschaltung mit weiteren Ausgängen auf Seite 84. Im Link Modus lassen sich die beiden Ausgänge bei Parallel- oder Reihenschaltung sehr einfach regeln.

2. Synchronbetrieb für Spannungen (oder Ströme)

Im Link Modus lassen sich bei Eingabe über die numerische Tastatur gleiche Spannungen bzw. Ströme auf beiden Ausgängen einstellen. Eine synchrone Ausgangssteuerung ist jedoch auch bei unterschiedlich eingestellten Spannungen/Strömen möglich. In diesem Fall kann die Differenz der beiden Ausgänge über den Drehregler beibehalten werden.

3. Gleichzeitiger Aufruf gespeicherter Einstellungen

Jeder Ausgang verfügt über 10 Speicherplätze. Im Link Modus stehen jedoch zusätzlich 10 weitere Speicherplätze zur Verfügung, auf denen Einstellungen gespeichert werden können, die für beide Ausgänge gelten. Vor dem Abspeichern einer Einstellung können Spannung und Strom zunächst auch getrennt eingestellt werden, um dann vor dem Abspeichern auf den Link Modus umzuschalten. Die auf diese Weise gespeicherten Einstellungen können dann für beide Ausgänge gleichzeitig abgerufen werden.

Hinweis:

Bereits vorhandene Einstellungen für Ausgang 1 können mit Hilfe der Kopierfunktion vor oder nach dem Umschalten auf den Link Modus auf Ausgang 2 übertragen werden.

Im Link Modus sind die regelbaren Funktionen auf Bereichseinstellung, Spannungseinstellung und Stromeinstellung (über numerische Tastatur oder Drehregler) beschränkt. Außerdem stehen natürlich die Funktionen Abspeichern und Aufrufen zur Verfügung. OVP, OCP und Fernfühler können im Link Modus nicht verändert werden.

Die Ein/Aus-Steuerung der Ausgänge erfolgt auch im Link Modus getrennt. Um beide Ausgänge gleichzeitig ein- oder auszuschalten müssen die „Multi-Output“ Steuertasten verwendet werden, die unabhängig vom Link Modus funktionieren.

Link Modus wählen

Die einzige Einschränkung bei der Wahl des Link Modus besteht darin, dass beide Hauptausgänge bereits auf den gleichen Bereich eingestellt sein müssen. Allerdings können die beiden Hauptausgänge auch dann synchron betrieben werden, wenn deren Ausgangsspannung und Strombegrenzungswert unterschiedlich eingestellt ist. Wird die Taste LINK bei unterschiedlicher Bereichseinstellung gedrückt, so ertönt zweimal ein akustisches Signal. Gleichzeitig blinkt die Bereichsanzeige des neu zugeschalteten Ausgangs 2 Sekunden lang auf.

Bei Wahl des Link Modus werden alle Drehreglereinstellungen für beide Ausgänge ungültig.

Spannung und Strombegrenzung einstellen

Die Einstellung der Ausgangsspannung und der Strombegrenzung erfolgt im Wesentlichen wie im unabhängigen Betrieb der beiden Ausgänge mit Hilfe der Tastatur oder des Drehreglers. Bei Verwendung der Tastatur werden beide Ausgänge exakt auf die gleiche Spannung bzw. Strombegrenzung eingestellt, unabhängig davon welche Einstellungen sie vorher hatten. Beachten Sie, dass es eine Zeitdifferenz geben kann, bevor beide Ausgänge den gleichen Wert erreicht haben (selbst bei gleicher ursprünglicher Einstellung). Die Zeitdifferenz liegt zumeist unter 40 ms und maximal bei 80 ms.. Bei Verwendung des Drehreglers bleibt der beim Drücken der LINK Taste evtl. bestehende Unterschied beider Ausgänge in Bezug auf Spannung und Strombegrenzung erhalten. Auf diese Weise lassen sich beide Ausgänge auch bei unterschiedlichen Werten synchron regeln. Dies geschieht so lange bis einer der Ausgänge seine Bereichsgrenze erreicht, woraufhin ein Warnsignal für den jeweiligen Ausgang ertönt (der Ausgang bleibt jedoch an der Bereichsgrenze). In diesem Fall ist die Synchronisation effektiv aufgehoben und die Ausgänge nähern sich mit jeder weiteren Einstellung an einander an. In umgekehrter Einstellrichtung wird die neue (kleinere) Differenz zwischen beiden Ausgängen so lange beibehalten, bis einer der Ausgänge die entgegengesetzte Bereichsgrenze erreicht.

Wird der Link Modus bei aktivem Drehregler abgebrochen, so bleibt der Drehregler für den gewählten Ausgang gültig.

Einstellungen speichern und aufrufen

Im Link Modus stehen 10 weitere permanente Speicherstellen zur Verfügung. Diese arbeiten getrennt von den 10 Speicherplätzen, die für jeden Ausgang im unabhängigen Betrieb vorhanden sind. Bei den gespeicherten Parametern handelt es sich um: Bereich, Spannung, Strombegrenzungswert, OVP und OCP. Die Speicherfunktionen im Link Modus entsprechen genau den bereits beschriebenen Speicherfunktionen für die Hauptausgänge. Allerdings erscheinen im Link Modus die jeweiligen Meldungen gleichzeitig auf beiden Displays.

OVP, OCP und Fernfühler

Einstellungen für OVP, OCP und Fernfühler können nur bei unabhängigem Betrieb beider Kanäle vorgenommen werden. Diese Einstellungen werden beim Umschalten auf den Link Modus beibehalten. OVP und OCP können im Link Modus gespeichert werden. Für die Fernfühlereinstellung ist dies nicht möglich. Beim Versuch die Einstellungen für OVP, OCP oder Fernfühler im Link Modus zu ändern blinkt die Meldung **SELCt 1or2** auf dem Display für Ausgang 1 auf um den Anwender daran zu erinnern, dass diese Parameter für jeden Kanal getrennt eingestellt werden müssen. Die blinkende Anzeige wird mit ESCAPE annulliert. Anschließend kann der jeweilige Kanal mit den Tasten ◀ CONTROL ▶ 1 oder 2 auf die gewünschten Werte für OVP, OCP und Fernfühler eingestellt werden.

Ausgangsleistung

Durch Drücken der Tastenfolge SHIFT, V x A wird die Ausgangsleistung beider Ausgänge gleichzeitig auf dem jeweiligen Display angezeigt (V x A auf der Spannungsanzeige, **UA** auf der Stromanzeige) wie dies auch im unabhängigen Betrieb der Fall ist.

Zusatzfunktionen

Die oben im Kapitel "Hauptausgänge" beschriebenen Zusatzfunktionen (#) können auch im Link Modus eingestellt werden. Dabei erscheint nach dem Drücken auf die Tasten SHIFT, # die Meldung **HASH No. _** auf beiden Anzeigen. In diesem Fall gelten alle eingestellten Zusatzfunktionen natürlich für beide Ausgänge. Die Zusatzfunktionen können jedoch nach wie vor im unabhängigen Betrieb getrennt eingestellt werden und behalten dann ihre Gültigkeit auch im Link Modus.

Steuerbus, Wahl der Adresse und Baudrate

Steuerbus, Adresse und Baudrate können nur eingestellt werden, wenn Ausgang 2 aktiviert ist. Die eingestellten Parameter werden wie auch im unabhängigen Betrieb auf dem Display für Ausgang 2 angezeigt. Beim Versuch diese Parameter im Link Modus bei gewähltem Ausgang 1 einzustellen erscheint die Meldung **SElct P.U. 2** auf dem Display für Ausgang 1 und erinnert somit daran, dass Ausgang 2 gewählt werden muss. In diesem Fall die Escape Taste drücken, um diese Meldung zu löschen (oder einfach warten bis sie ausgeblendet wird) und dann auf Ausgang 2 umschalten.

Hauptausgänge – Kopierfunktion

Die Haupteinstellungen für Ausgang 1 können mit Hilfe der Kopierfunktion auf Ausgang 2 übertragen werden, unabhängig davon welche Steuerart ◀ CONTROL ▶ (1, 2 oder LINK) gerade gewählt ist. Zu den kopierten Parametern gehören: Bereich, Spannung, Strombegrenzung, OVP und OCP. Die Einstellungen für Fernfühler, ON/OFF, Drehregler sowie gespeicherte Werte werden nicht kopiert.

Durch Drücken der Tastenfolge SHIFT, COPY 1>2 erscheinen die Einstellungen für Spannung, Strom und Bereich des Ausgangs 1 blinkend im Display des Ausgangs 2. Gleichzeitig blinkt die Taste OK. Durch Drücken der Taste OK wird der Kopiervorgang bestätigt und ausgeführt. Durch Drücken der Taste ESCAPE kann der Vorgang jederzeit abgebrochen werden.

Hat der Kopiervorgang zu Folge, dass sich der Bereich für Ausgang 2 ändert (vorausgesetzt Ausgang 2 ist ON) blinkt zusätzlich die ON/OFF Taste für Ausgang 2. Durch Drücken der Taste OK wird der Ausgang ausgeschaltet. Der Ausgang kann allerdings vor dem Drücken der OK Taste auch direkt über die ON/OFF Taste ausgeschaltet werden.

Nebenausgang

Der Nebenausgang (AUXILIARY) liefert bis zu 1 Ampere bei 2,7 V, 3,3 V oder 5,0 V. Die Ausgangsspannung wird mit einem Schiebeschalter auf der Gerätevorderseite geregelt. Die Strombegrenzung ist mit ≥ 1 Ampere fest eingestellt. Die Ausgangsklemmen sind parallel auch auf der Rückseite vorhanden (schraubenfreie Klemmen) um einen Regaleinbau zu ermöglichen. Eine Fernfühlerfunktion existiert nicht. Dieser Ausgang wird elektronisch entweder über den Schalter auf der Gerätevorderseite ein- und ausgeschaltet, oder über die Fernsteuerungsschnittstelle. Andere Funktionen können für diesen Ausgang nicht ferngesteuert werden. Der Strombegrenzungspunkt ist dann erreicht, wenn die Ausgangsspannung um ~ 100 mV gefallen ist. Dann liefert der Ausgang 1,5 A und hält diesen Wert auch bei fallender Lastimpedanz bis zum Kurzschluss aufrecht. Bei anhaltendem Kurzschluss schaltet die Temperaturüberwachung schließlich das Gerät aus.

Fernbedienung (nur XDL 35-5TP)

Dieses Gerät kann über die Schnittstellen RS232, USB oder GBIB ferngesteuert werden. Für die RS232-Schnittstelle stehen dabei zwei Betriebsarten zur Verfügung: Im Standard kann ein Gerät an einer RS232-Schnittstelle betrieben werden. Im ARC-Betrieb ist es möglich bis zu 32 Geräte an nur einer RS232-Schnittstelle zu betreiben. ARC steht für "addressable RS232 chain" und ist eine Erweiterung des RS232-Standards.

Die USB-Schnittstelle ist intern mit der RS232-Schnittstelle des Geräts verbunden. Daher funktioniert die Fernsteuerung über USB genauso wie bei einem Einzelgerät mit RS232, nur wird stattdessen der USB-Anschluss verwendet. Das Gerät arbeitet im USB-Betrieb mit der maximalen Baudrate (19200). Der virtuelle COM Port des steuernden Rechners (wird mit der gelieferten Treibersoftware eingerichtet) muss auf die gleiche Baudrate gesetzt werden. Die auf dem Rechner installierten Anwendungen können anschließend auf das Gerät zugreifen, als ob es an die RS232-Schnittstelle angeschlossen wäre. Die USB-Schnittstelle kann allerdings nicht als Glied in einer adressierbaren RS232-Kette verwendet werden.

Einige der nachfolgenden Abschnitte sind allgemein gehalten und gelten für alle drei Modi (Einzelgerät-RS232, adressierbaren RS232-Kette und GPIB), die anderen gelten eindeutig nur für eine bestimmte Schnittstelle oder einem bestimmten Modus. Der Leser braucht lediglich die allgemein gültigen Abschnitte zu lesen und darüber hinaus nur diejenigen, die für den jeweils gewünschten Modus zutreffen. Das Format für die Fernbedienungsbefehle und die Befehle selbst werden im Abschnitt „Fernbedienungsbefehle“ behandelt.

Steuerbus, Wahl der Adresse und Baudrate

Jedes an die GPIB- oder adressierbare RS232-Kette angeschlossene Gerät muss mit einer eindeutigen Adresse versehen sein, wenn es einwandfrei funktionieren soll. Im Falle der adressierbaren Schnittstelle RS232 müssen alle Geräte außerdem auf dieselbe Baudrate eingestellt sein.

Zur Einstellung der Schnittstelleneinstellungen muss die Steuerart zuerst auf ◀ CONTROL ▶ 2 gesetzt werden (d. h. es ist nur Ausgang 2 gewählt).

Die Tasten SHIFT und „Bus Type“ drücken um den aktuellen Steuerbus anzuzeigen. Soll auf einen anderen Bus gewechselt werden, mit dem Drehknopf die einzelnen Optionen durchgehen bis der gewünschte Typ erscheint. Taste OK drücken um den angezeigten Steuerbus zu wählen. Durch Drücken auf ESCAPE wird die ursprüngliche Einstellung beibehalten.

Die Tasten SHIFT und „Addr/Baud“ drücken um die aktuelle Busadresse des Geräts anzuzeigen. Handelt es sich bei dem aktuellen Steuerbus um den Typ RS232 kann die Taste „Addr/Baud“ noch einmal gedrückt werden, um die aktuelle Baudrate anzuzeigen (durch wiederholtes Drücken der Taste kann zwischen den beiden Anzeigen hin und her geschaltet werden). Soll die Adresse geändert werden, mit dem Drehknopf die einzelnen Adressen durchgehen (Adresse muss bereits angezeigt sein). Die Adresse kann zwischen 1 und 31 (einschließlich) eingestellt werden. Die gleiche Adresse wird sowohl für GPIB als auch für RS232 verwendet; die Adresseneinstellung wird im USB Betrieb ignoriert. Soll die Baudrate geändert werden, mit dem Drehknopf die einzelnen Optionen durchgehen (Baudrate muss bereits angezeigt sein). Taste OK drücken um die zuletzt angezeigte Adresse bzw. Baudrate zu wählen. Durch Drücken auf ESCAPE wird die ursprüngliche Einstellung beibehalten. Beachten Sie bitte, dass die Baudrate nur dann eingestellt werden kann, wenn RS232 als Steuerbus gewählt wurden; bei USB ist die Baudrate mit maximal 19200 festgelegt.

Fern- /Lokalbetrieb

Nach dem Einschalten befindet sich das Gerät im Modus Lokalbetrieb, die REM Anzeige (Remote) leuchtet nicht. In diesem Zustand stehen sämtliche Tastaturfunktionen zur Verfügung. Wird das Gerät per Schnittstelle angesteuert und ein Befehl empfangen, schaltet das Gerät auf Fernbedienung und die REM Anzeige erscheint. In diesem Zustand wird die Tastatur gesperrt und nur Fernbedienungsbefehle werden verarbeitet. Das Gerät kann durch Betätigen der Taste LOCAL wieder auf Lokalbetrieb zurückgeschaltet werden. Dieser Zustand bleibt jedoch nur so lange erhalten, bis das Gerät erneut angesteuert wird oder einen weiteren Befehl von der Schnittstelle erhält, worauf es erneut auf Fernbedienung schaltet.

Schnittstelle RS232

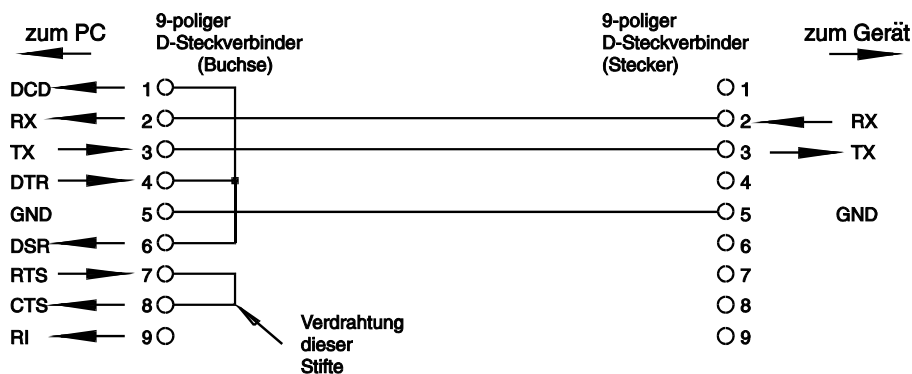
Schnittstellenanschluss RS232

Der 9-polige Steckverbinder (Typ D) für die serielle Schnittstelle befindet sich auf der Geräterückwand. Stiftbelegung:

| Pin | Bez. | Beschreibung |
|-----|------|--|
| 1 | - | Nicht belegt |
| 2 | TXD | Vom Gerät übertragene Daten |
| 3 | RXD | Vom Gerät empfangene Daten |
| 4 | - | Nicht belegt |
| 5 | GND | Betriebserde |
| 6 | - | Nicht belegt |
| 7 | RXD2 | Empfangene sekundäre Daten (nur adressierbarer RS232 Betrieb) |
| 8 | TXD2 | Übertragene sekundäre Daten (nur adressierbarer RS232 Betrieb) |
| 9 | GND | Betriebserde (nur adressierbarer RS232 Betrieb) |

RS232-Anschlüsse für Einzelgerät

Zur Fernbedienung von nur einem Gerät müssen lediglich die Stifte 2, 3 und 5 an den Computer angeschlossen werden. Um jedoch einen einwandfreien Betrieb zu gewährleisten, müssen am PC-seitigen Steckverbinder die Stifte 1, 4 und 6 sowie 7 und 8 gebrückt werden - siehe hierzu nachfolgendes Diagramm. Die Gerätstifte 7 und 8 dürfen **nicht** an den PC angeschlossen



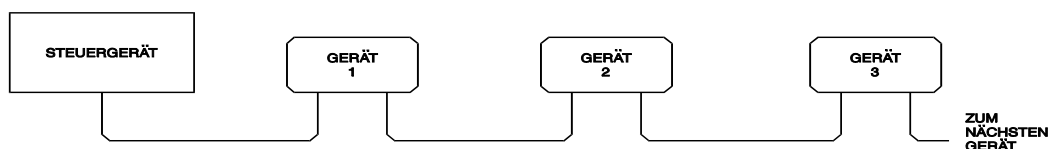
werden; d.h. auf keinen Fall ein voll verdrahtetes 9-poliges Kabel verwenden!

Die Baudrate wird entsprechend den im Abschnitt „Wahl der Adresse und Baudrate“ gemachten Angaben eingestellt, die übrigen Parameter sind wie folgt festgelegt:

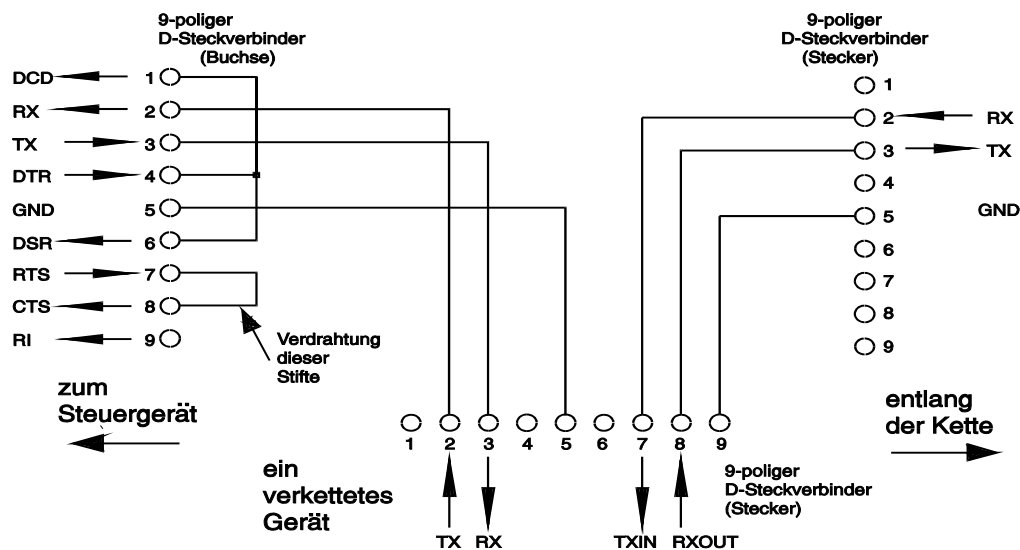
Startbits: 1 Parität: Keine
Datenbits: 8 Stopbits: 1

Adressierbare RS232-Anschlüsse

Für den adressierbaren RS232-Betrieb werden zusätzlich die Stifte 7, 8 und 9 der Gerätesteckverbindung benutzt. Mit einer einfachen Kabelgarnitur kann eine Verkettung zwischen maximal 32 Geräten erfolgen, wie nachstehend gezeigt.



Die Verkettung erfolgt lediglich unter Zuhilfenahme der Leitungen Sendedaten (TXD), Empfangsdaten (RXD) und der Betriebserde. Steuer- bzw. Quittierungsleitungen sind nicht erforderlich. Dadurch wird das XON/XOFF-Protokoll zur Kommunikation sehr wichtig. Zur Verbindung der Geräte untereinander werden lediglich 3 Leitungen benötigt. Die Verdrahtung des Adapterkabels ist nachstehend wiedergegeben:



Sämtliche an die Schnittstelle angeschlossenen Geräte müssen auf dieselbe Baudrate eingestellt und eingeschaltet sein, da sonst die Geräte weder Daten noch Befehle erhalten und weitergeben können.

Die übrigen Parameter sind wie folgt festgelegt:

| | |
|--------------|----------------|
| Startbits: 1 | Parität: Keine |
| Datenbits: 8 | Stopbits: 1 |

RS232 Zeichensatz

Wegen der Erfordernis für XON/XOFF-Quittungsaustausch können nur ASCII-codierte Daten gesendet werden, Binärblöcke sind nicht zulässig. ASCII-Bit 7 bleibt unberücksichtigt, bzw. es wird angenommen, dass es 0 ist. Zwischen Groß- und Kleinbuchstaben in Befehlskürzeln wird nicht unterschieden, sie können also beliebig benutzt werden. ASCII-Codes unter 20H (Leerzeichen) sind für die adressierbare RS232-Schnittstellensteuerung reserviert. In dieser Anleitung bedeutet 20H usw. 20 in hexadezimaler Schreibweise.

Steuercodes der adressierbaren RS232-Schnittstelle

Bei sämtlichen Geräten, die an den adressierbaren RS232-Bus angeschlossen werden sollen, werden folgende Schnittstellen-Steuercodes verwendet. Codes zwischen 00H und 1FH, die ohne eine besondere Bedeutung hier aufgeführt sind, sind für künftige Zwecke reserviert und werden ignoriert. Ein Vermischen von Schnittstellen-Steuercodes innerhalb Gerätebefehlen ist nicht zulässig, mit Ausnahme von CR (Wagenrücklauf), LF (Zeilenvorschub) und XON- und XOFF-Codes.

Beim Einschalten des Gerätes steht die RS232 Schnittstelle immer auf den herkömmlichen nichtadressierbaren Modus (Non-Addressable Mode). In diesem Modus ist das Gerät nicht adressierbar und reagiert nicht auf Adressenbefehle. Das Gerät kann dadurch wie ein normales RS232-steuerbares Gerät angesprochen werden. Dieser Modus lässt sich verriegeln, indem der Steuercode 04H gesendet wird. Jetzt kann das Steuergerät unbeschränkt alle 8-Bit-Codes und Binärblöcke benutzen, dagegen bleiben alle Schnittstellen-Steuercodes unbeachtet. Um zum adressierbaren Modus zurückzukehren, muss das Gerät ausgeschaltet werden.

Zur Aktivierung des adressierbaren Modus nach Einschalten des Gerätes, muss der Steuercode „Set Addressable“ 02H gesendet werden. Dadurch wird ermöglicht, dass sämtliche an den RS232-Bus angeschlossene Geräte auf alle Schnittstellen-SteuerCodes reagieren. Um zum nichtadressierbaren Modus zurückzukehren, muss der Steuercode „Lock Non-Addressable mode“ 04H gesendet werden, der den adressierbaren Modus deaktiviert, bis die Geräte ausgeschaltet werden.

Bevor einem Gerät ein Befehl erteilt werden kann, muss es auf Empfang gestellt werden, was durch Senden des SteuerCodes „Listen Address“ 12H (Empfangsadresse) geschieht, auf den ein Einzelzeichen folgen muss, dessen 5 niederwertige Bits die eindeutige Adresse des gewünschten Gerätes enthalten, d.h. die Codes A-Z bzw. a-z verkörpern die Adressen 1-26, während @ die Adresse 0 darstellt usw. Sobald das Gerät mit diesem Befehl auf Empfang gestellt wurde, liest es alle folgenden Befehle und führt sie aus, bis dieser Empfangsmodus beendet wird.

Da es sich um eine asynchrone Schnittstelle handelt, muss das Steuergerät darüber informiert werden, dass das Gerät die Empfangsadressensequenz akzeptiert hat und für Befehle empfangsbereit ist. Das Steuergerät wartet also auf den „Acknowledge code“ (Bestätigungscode) 06H, bevor es Befehle erteilt. Das auf Empfang gestellte Gerät gibt diesen Acknowledge-Code ab. Erhält das Steuergerät kein Acknowledge innerhalb von 5 Sekunden, so sollte eine Zeitabschaltung (Timeout) und danach ein neuer Versuch erfolgen.

Wird einer der folgenden Schnittstellen-SteuerCodes empfangen, so wird der Listen- (Empfangs-) Modus beendet.

- 12H „Listen Address“ gefolgt von einer gerätefremden Adresse.
- 14H „Talk Address“ für jedes beliebige Gerät.
- 03H „Universal Unaddress“ Steuercode.
- 04H „Lock Non-Addressable“ Modus-Steuercode.
- 18H „Universal Device Clear“

Bevor die Antwort eines Gerätes gelesen werden kann, muss es auf Antworten gestellt worden sein, was durch Senden des SteuerCodes „Talk Address“ 14H geschieht, gefolgt von einem Einzelzeichen, dessen niederwertige 5 Bits der eindeutigen Adresse des gewünschten Gerätes entsprechen, ähnlich wie beim SteuerCodes für „Listen Address“. Sobald die Einstellung auf Antworten stattgefunden hat, sendet das Gerät die bereitstehende Antwort, sofern vorhanden, und verlässt dann den adressierten Antwortmodus automatisch. Das heißt nach jeder Antwortadressierung sendet das entsprechende Gerät immer nur eine Antwort.

Wird einer der folgenden Schnittstellen-SteuerCodes empfangen, so wird der Antwort-Modus sofort beendet:

- 12H „Listen Address“ für jedes beliebige Gerät.
- 14H „Talk Address“ gefolgt von einer gerätefremden Adresse.
- 03H „Universal Unaddress“-Steuercode.
- 04H „Lock Non-Addressable“-Modus-SteuerCodes.
- 18H „Universal Device Clear“.

Der Kommunikationsmodus Talk wird ebenfalls beendet, nachdem das Gerät mit dem Senden der Antwort fertig ist oder wenn nichts zu senden (keine Daten) ist.

Beim Schnittstellencode 0AH (LF) handelt es sich um das universelle Befehls- und Antwort-Schlusszeichen; alle Befehle und Antworten müssen mit diesem Steuerzeichen enden.

Der Schnittstellencode 0DH (CR) kann nach Bedarf zur Formatierhilfe bei Befehlen eingesetzt werden; von Geräten bleibt er unbeachtet. Die meisten Geräte schließen ihre Antworten generell mit CR und anschließendem LF ab.

Der Schnittstellencode 13H (XOFF) kann von einem Empfangsgerät (Gerät oder Steuergerät) jederzeit gesendet werden, um die Sendeaktivität eines sendenden Gerätes zu stoppen. Das Empfangsgerät muss zuerst 11H (XON) senden, bevor das Sendegerät den Sendebetrieb wieder aufnimmt. Dies ist der einzige Quittungsaustausch, der unterstützt wird.

Komplette Liste der Steuercodes der adressierbaren RS232-Schnittstelle

- 02H "Set Addressable Mode" (Auf Empfangsmodus schalten).
- 03H „Universal Unaddress“-Steuercode.
- 04H „Lock Non-Addressable“-Modus-Steuercode.
- 06H "Acknowledge" -Bestätigung empfangener Empfangsadresse.
- 0AH "Line Feed (LF)" - dient als universeller Befehl und Schlusszeichen für Antworten.
- 0DH "Carriage Return (CR)" - Formatierungscode, bleibt ansonsten unbeachtet.
- 11H Wiederaufnahme des Sendebetriebs (XON)
- 12H „Listen Address - daran anschließend muss die Adresse des gewünschten Gerätes folgen.
- 13H Sendebetrieb einstellen (XOFF).
- 14H „Talk Address“ - daran anschließend muss die Adresse des gewünschten Gerätes folgen.
- 18H „Universal Device Clear“.

USB-Schnittstelle

Durch die USB-Schnittstelle kann das Gerät mit Hilfe des RS232 Protokolls über den USB-Anschluss eines Rechners gesteuert werden. Dies ist zweckmäßig wenn die normalen RS232 COM-Schnittstellen bereits alle belegt, bzw. gar nicht vorhanden sind.

Das Gerät wird mit einer Diskette geliefert die Treiber für verschiedene Windows-Versionen enthält (einschließlich Win98 und 2000). Die Diskette enthält zudem eine Textdatei mit Informationen zur Software-Installation.

Die Installation des Schnittstellen-Treibers erfolgt indem das Gerät über ein normales USB-Kabel an einen PC angeschlossen wird. Durch die „Plug-and-Play“ Funktionalität unter Windows wird die am USB-Port angeschlossene neue Hardware normalerweise automatisch erkannt. Beim erstmaligen Anschluss des Geräts fragt Windows daraufhin nach dem Pfad des entsprechenden Treibers. Nach korrekter Eingabe der entsprechenden Informationen installiert Windows nun den geeigneten Treiber und richtet im PC einen virtuellen COM-Port ein. Die Nummer des neuen COM-Ports richtet sich nach der Zahl der bereits vorhandenen COM-Schnittstellen im PC. Dieser virtuelle COM-Port kann von Windows genau wie jeder andere normale COM-Port angesprochen werden.

Bitte beachten: der virtuelle COM-Port muss auf die gleiche Baudrate wie das zu steuernde Gerät eingestellt werden (d. h. wie bei einer normalen RS232 Verbindung).

Der installierte Treiber verbleibt auf dem PC so dass der virtuelle COM-Port in Zukunft automatisch eingerichtet werden kann, sobald das Gerät über USB an den PC angeschlossen wird.

Beim Anschluss weiterer Geräte an den USB-Anschluss des PCs werden zusätzliche virtuelle COM-Ports eingerichtet. Beim erstmaligen Anschluss erhält jedes Gerät einen getrennten virtuellen COM-Port, der beim Wiederanschluss des gleichen Geräts auch beibehalten wird. Die PC-Software verwendet hierzu die zu jedem Gerät gehörende spezielle Kennziffer, um die Verbindung zum gleichen virtuellen COM-Port wieder einzurichten, unabhängig davon an welche physische USB-Anschlussstelle das Gerät angeschlossen wurde.

Außerdem kann mit dem Befehl ADDRESS? leicht festgestellt werden welches Gerät an einen bestimmten COM-Port angeschlossen ist. Obwohl die Adressierbarkeit im USB-Betrieb nicht verwendet wird können Sie trotzdem eine Adresse einrichten und diese zur Identifizierung des Geräts benutzen. Stellen Sie hierzu jedes über USB angeschlossene Gerät auf eine

unterschiedliche Adresse ein. Nun können Sie mit dem Befehl ADDRESS? feststellen, welches Gerät an welchen virtuellen COM-Port angeschlossen ist.

Auf der mitgelieferten Diskette befindet sich auch ein Deinstallationsprogramm falls dies erforderlich ist.

GPIB-Schnittstelle

Der 24-polige Steckverbinder für die GPIB-Schnittstelle befindet sich auf der Geräterückseite. Die Stiftbelegung erfolgt gemäß der Norm IEEE Std. 488.1-1987. Das Gerät entspricht den Normen IEEE Std. 488.1-1987 und IEEE Std. 488.2-1987.

GPIB Befehlsätze

Das Gerät ist mit folgenden IEEE 488.1 Befehlsätzen versehen:

| | |
|----------------------|-----|
| Source Handshake | SH1 |
| Acceptor Handshake | AH1 |
| Talker | T6 |
| Listener | L4 |
| Service Request | SR1 |
| Remote Local | RL1 |
| Parallel Poll | PP1 |
| Device Clear | DC1 |
| Device Trigger | DT0 |
| Controller | C0 |
| Electrical Interface | E2 |

GPIB Fehlerbehandlung nach IEEE Std. 488.2 – Query Error Register

Der Fehler UNTERMINATED nach IEEE 488.2 (auf Kommunikation gestellt, doch nichts zu berichten) wird wie folgt behandelt: Ist das Gerät auf Kommunikation gestellt, der Antwortformatierer jedoch nicht aktiv und die Eingangswarteschlange leer, so wird ein UNTERMINATED-Fehler generiert. Dies bewirkt, dass ein Query Error-Bit im Standard Event Status Register gesetzt, der Wert von 3 ins Query Error Register geschrieben und der Parser zurückgestellt wird. Weitere Angaben hierüber siehe Abschnitt „STATUS-BERICHTERSTATTUNG“.

Der Fehler INTERRUPTED nach IEEE 488.2 wird wie folgt behandelt: Wartet der Antwortformatierer auf das Senden einer Antwort und wurde vom Parser ein <PROGRAM MESSAGE TERMINATOR> gelesen oder enthält die Eingangswarteschlange mehr als eine END-Meldung, so wurde das Gerät INTERRUPTED (unterbrochen) und eine Fehleranzeige wird generiert. Dies bewirkt, dass ein Query Error-Bit im Standard Event Status Register gesetzt, der Wert 1 ins Query Error Register geschrieben und der Antwortformatierer zurückgestellt wird, wodurch die Ausgangswarteschlange gelöscht wird. Jetzt beginnt der Parser die nächste <PROGRAM MESSAGE UNIT> der Eingangs-Warteschlange zu verarbeiten. Weitere Angaben hierüber siehe Abschnitt „STATUS-BERICHTERSTATTUNG“.

Der Fehler DEADLOCK nach IEEE 488.2 wird wie folgt behandelt: Wartet der Antwortformatierer auf das Senden einer Antwort und wird die Eingangs-Warteschlange voll, so schaltet das Gerät auf DEADLOCK –Status und eine Fehleranzeige wird generiert. Dies bewirkt, dass ein Query Error-Bit im Standard Event Status Register gesetzt, der Wert 2 ins Query Error Register geschrieben und der Antwortformatierer zurückgestellt wird, wodurch die Ausgangswarteschlange gelöscht wird. Jetzt beginnt der Parser die nächste <PROGRAM MESSAGE UNIT> der Eingangs-Warteschlange zu verarbeiten. Weitere Angaben hierüber siehe Abschnitt „STATUS-BERICHTERSTATTUNG“.

GPIB Parallelabfrage (Parallel Poll)

Das Gerät besitzt eine vollständige Parallelabfrage. Das Parallel Poll Enable Register wird gesetzt und dabei mit Informationen versehen, die angeben, welche Bits im Status Byte Register zur Bildung der lokalen Meldung „ist“ dienen. Das Parallel Poll Enable Register (Parallelabfrage-Aktivierungsregister) wird mit dem Befehl *PRE <nrf> gesetzt und mit dem Befehl *PRE? gelesen. Das logische AND des Wertes im Parallel Poll Enable Register und des Status Byte Registers wird ermittelt; lautet das Ergebnis Null, so beträgt der Wert von „ist“ 0, ansonsten ist der Wert von „ist“ 1.

Das Gerät muss außerdem so konfiguriert sein, dass der Wert von „ist“ während einer Parallelabfrage an das Steuergerät zurückgeschickt werden kann. Die Konfigurierung des Gerätes erfolgt vom Steuergerät, indem letzteres einen Parallel Poll Configure-Befehl (PPC) mit anschließendem Parallel Poll Enable-Befehl (PPE) sendet. Die im PPE-Befehl enthaltenen Bits:

| | | |
|---------|-------|---|
| bit 7 = | X | Unbeachtet lassen |
| bit 6 = | 1 | Aktivierung der Parallelabfrage |
| bit 5 = | 1 | |
| bit 4 = | 0 | |
| bit 3 = | Sense | Wert des Antwortbits; 0 = low, 1 = high |
| bit 2 = | ? | Bitposition der Antwort |
| bit 1 = | ? | |
| bit 0 = | ? | |

Beispiel: Um das RQS-Bit (Bit 6 des Status Byte Registers) im Falle von „wahr“ als eine 1 und im Falle von „nicht wahr“ als eine 0 als Antwort auf eine Parallelabfrage in Bitposition 1 zurück zu senden, sind folgende Befehle zu erteilen

*PRE 64<pmt>, dann PPC mit anschließendem 69H (PPE)

Die Antwort auf die Parallelabfrage vom Gerät lautet dann 00H wenn RQS gleich 0 ist, und 01H wenn RQS gleich 1 ist.

Während der Parallelabfrageantwort sind die DIO-Schnittstellenleitungen mit einem ohmschen Abschlusswiderstand versehen (passiver Abschluss). Dadurch wird möglich, dass Mehrfachgeräte bei AND-verdrahteter oder OR-verdrahteter Konfiguration dieselbe Antwortbitposition teilen können. Weitere weiteren Informationen hierzu, siehe IEEE 488.1.

Status-Berichterstattung

Dieser Abschnitt beschreibt das gesamte Statusmodell des Gerätes. Zu beachten ist, dass sich einige Register spezifisch auf den GPIB-Teil des Gerätes beziehen und in einer RS232-Umgebung nur begrenzt brauchbar sind.

Standard Event Status und Standard Event Status Enable Register

Diese beiden Register sind gemäß der Norm IEEE 488.2 ausgeführt. Bits, die im Standard Event Status Register gesetzt werden und Bits entsprechen, die im Standard Event Status Enable Register gesetzt wurden, bewirken, dass das ESB-Bit im Status Byte Register gesetzt wird.

Das Standard Event Status Register wird mit dem Befehl *ESR? gelesen und gelöscht. Das Standard Event Status Enable Register wird mit dem Befehl *ESE <nrf> gesetzt und mit dem Befehl *ESE? gelesen.

-
- Bit 7 - Power On (Einschalten). Wird gesetzt, wenn das Gerät zum ersten Mal eingeschaltet wird.
 - Bit 6 - Nicht belegt.
 - Bit 5 - Command Error (Befehlsfehler). Wird gesetzt, wenn ein Syntaxfehler in einem Befehl vom Bus festgestellt wird. Der Parser wird rückgestellt und die Verarbeitung beginnt mit dem nächsten Byte des Eingabedatenstroms.
 - Bit 4 - Execution Error (Abarbeitungsfehler). Wird gesetzt, wenn beim Versuch der Abarbeitung eines vollständig verarbeiteten Befehls ein Fehler festgestellt wird. Die entsprechende Fehlernummer wird im Execution Error Register aufgezeichnet.
 - 1- 99 Gibt an dass ein Hardware-Fehler aufgetreten ist.
 - 116 Die Setup-Daten wurden abgerufen, der genannte Speicher enthält jedoch keine Daten.
 - 117 Die Setup-Daten wurden abgerufen, der genannte Speicher enthält jedoch korrupte Daten. Dies deutet entweder auf einen Hardware-Fehler oder auf eine zeitweilige Datenkorruption hin und kann durch erneutes Schreiben der Daten in den Speicher korrigiert werden.
 - 120 Der mit dem Befehl gesandte numerische Wert war zu groß bzw. zu klein. Gilt auch für negative Zahlen, wenn nur positive Zahlen gültig sind.
 - 123 Abruf/Speicherung der Setup-Daten von einer unzulässigen Speichernummer aus.
 - 124 Es wurde ein Bereichswechsel angefordert, der jedoch im Rahmen der aktuellen Einstellungen des Netzgeräts unzulässig ist – weitere Informationen hierzu siehe Abschnitt „Manuelle Bedienung“.
 - Bit 3 - „Verify Timeout“ Fehler. Wird gesetzt wenn ein Parameter verifiziert werden soll, der jeweilige Wert aber nicht innerhalb von 5 Sekunden erreicht ist (, z. B. wenn die Ausgangsspannung durch einen großen Kondensator am Ausgang verzögert wurde.
 - Bit 2 - Query Error (Abfragefehler). Wird gesetzt, wenn ein Abfragefehler auftritt. Die entsprechende Fehlernummer wird im Query Error Register wie folgt aufgezeichnet.
 1. Interrupted Error (Unterbrechungsfehler)
 2. Deadlock Error (Blockierungsfehler)
 3. Unterminated Error („Nicht abgeschlossen“-Fehler)
 - Bit 1 - Nicht belegt.
 - Bit 0 - Operation Complete (Vorgang abgeschlossen). Wird als Antwort auf den *OPC-Befehl gesetzt.

Limit Event Status Register und Limit Event Status Enable Register

Diese beiden Register sind ergänzend zur Norm IEEE 488.2 vorhanden. Jedes Paar besteht aus einem Limit Event Status Register und einem zugehörigen Limit Status Event Enable Register. Limit Event Status Register 1 (LSR1) und Limit Event Status Enable Register 1 (LSE1) gelten für Ausgang 1. Limit Event Status Register 2 (LSR2) und Limit Event Status Enable Register 2 (LSE2) gelten für Ausgang 2 und für den Nebenausgang. Sie dienen dazu den steuernden Rechner über die aktuellen Strom- und Spannungs-begrenzungs-bedingungen zu informieren und die Historie der Schutzauslösebedingungen seit dem letzten Lesevorgang zu erfassen.

Bits, die im Limit Event Status Register gesetzt wurden und den Bits entsprechen, die im Limit Event Status Enable Register gesetzt wurden, bewirken dass das LIM1 oder LIM 2 Bit im Status Byte Register gesetzt wird.

Die Limit Event Status Register 1 und 2 werden mit den Befehlen LSR1? und LSR2? gelesen und gelöscht. Die Limit Event Status Enable Register 1 und 2 werden mit den Befehlen LSE1<nrf> und LSE2<nrf> gesetzt und mit den Befehlen LSE1? und LSE2? gelesen.

Limit Event Status Register 1

- Bit 7 - nicht belegt
- Bit 6 - nicht belegt
- Bit 5 - Wird gesetzt wenn ein Auslöser im Sense-Betrieb aufgetreten ist (Ausgang 1)
- Bit 4 - Wird gesetzt wenn der Übertemperaturschutz ausgelöst worden ist (Ausgang 1)
- Bit 3 - Wird gesetzt wenn der Überstromschutz ausgelöst worden ist (Ausgang 1)
- Bit 2 - Wird gesetzt wenn der Überspannungsschutz ausgelöst worden ist (Ausgang 1)
- Bit 1 - Wird gesetzt wenn der Strombegrenzungswert erreicht ist (Konstantstrombetrieb) (Ausgang 1)
- Bit 0 - Wird gesetzt wenn der Spannungsbegrenzungswert erreicht ist (Konstantspannungsbetrieb) (Ausgang 1)

Limit Event Status Register 2

- Bit 7 - nicht belegt
- Bit 6 - Wird gesetzt wenn der Nebenausgang den Strombegrenzungswert erreicht
- Bit 5 - Wird gesetzt wenn ein Auslöser im Sense-Betrieb aufgetreten ist (Ausgang 2)
- Bit 4 - Wird gesetzt wenn der Übertemperaturschutz ausgelöst worden ist (Ausgang 2)
- Bit 3 - Wird gesetzt wenn der Überstromschutz ausgelöst worden ist (Ausgang 2)
- Bit 2 - Wird gesetzt wenn der Überspannungsschutz ausgelöst worden ist (Ausgang 2)
- Bit 1 - Wird gesetzt wenn der Strombegrenzungswert erreicht ist (Konstantstrombetrieb) (Ausgang 2)
- Bit 0 - Wird gesetzt wenn der Spannungsbegrenzungswert erreicht ist (Konstantspannungsbetrieb) (Ausgang 2)

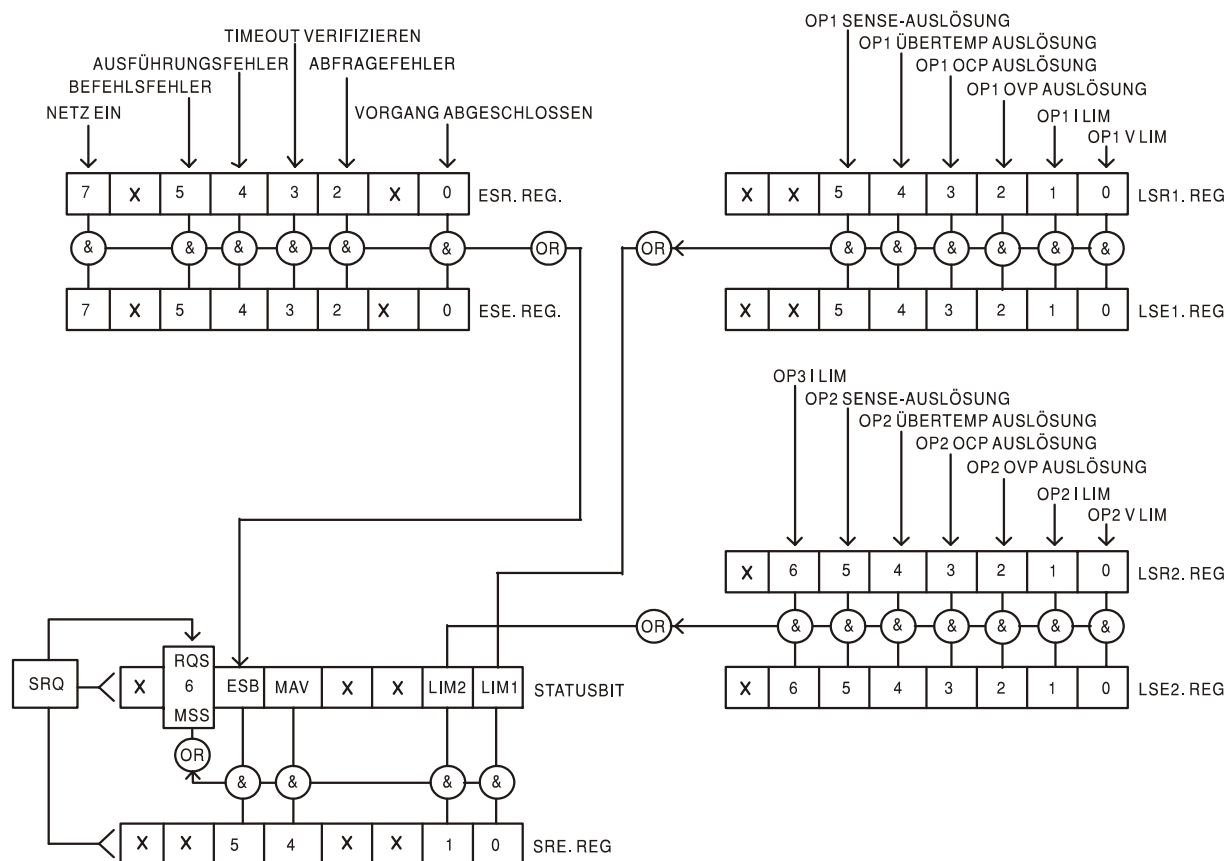
Status Byte Register und Service Request Enable Register

Diese beiden Register sind gemäß der Norm IEEE 488.2 ausgeführt. Bits, die im Status Byte Register gesetzt wurden und den Bits entsprechen, die im Service Request Enable Register gesetzt wurden, bewirken, dass das RQS/MSS-Bit im Status Byte Register gesetzt wird, wodurch ein Service Request auf dem Bus generiert wird.

Das Status Byte Register wird entweder mittels dem *STB?-Befehl gelesen, der MSS in Bit 6 zurücksendet, oder aber mittels eines Serial Poll (Serienabfrage), der RQS in Bit 6 zurücksendet. Das Service Request Enable Register wird mit dem Befehl *SRE <nrf> gesetzt und mit dem Befehl *SRE? gelesen.

- Bit 7 - Nicht belegt.
- Bit 6 - RQS/MSS. Dieses Bit, das in der Norm IEEE 488.2 definiert ist, enthält sowohl die Requesting Service-Meldung (Serviceanforderung) als auch die Master Status Summary-Meldung. Als Antwort auf ein Serial Poll (Serienabfrage) wird RQS und als Antwort auf den Befehl *STB? wird MSS zurückgesendet.
- Bit 5 - ESB. Das Event Status Bit (Ereignis-Statusbit). Dieses Bit wird gesetzt, wenn im Standard Event Status Register ein Bit gesetzt ist, das im Standard Event Status Enable Register ebenfalls gesetzt wurden.
- Bit 4 - MAV. Das Message Available Bit (Meldung vorhanden). Dieses Bit wird gesetzt, wenn das Gerät eine Antwort formatiert hat, die sendebereit für das Steuergerät zur Verfügung steht. Das Bit wird gelöscht, nachdem der Response Message Terminator gesendet wurde.
- Bit 3 - Nicht belegt.

- Bit 2 - Nicht belegt.
- Bit 1 - LIM2. Wird gesetzt wenn im Limit Event Status Register 2 Bits gesetzt sind, die im Limit Event Status Enable Register 2 entsprechend ebenfalls gesetzt wurden.
- Bit 0 - LIM1. Wird gesetzt wenn im Limit Event Status Register 1 Bits gesetzt sind, die im Limit Event Status Enable Register 1 entsprechend ebenfalls gesetzt wurden.



Status-Modell

Einstellungen beim Einschalten

Beim Einschalten des Gerätes werden folgende Statuswerte gesetzt:

| | |
|---|------------------------------|
| Status Byte Register | = 0 |
| Service Request Enable Register † | = 0 |
| Standard Event Status Register | = 128 (nach Setzen des Bits) |
| Standard Event Status Enable Register † | = 0 |
| Execution Error Register | = 0 |
| Query Error Register | = 0 |
| Parallel Poll Enable Register † | = 0 |

† Die mit diesem Zeichen versehenen Register beziehen sich spezifisch auf den GPIB-Teil des Gerätes und sind daher in einer RS232-Umgebung nur begrenzt brauchbar.

Das Gerät befindet sich im lokalen Betriebsmodus mit aktivierter Tastatur.

Die Geräteparameter beim Einschalten sind die selben wie beim letzten Ausschalten des Gerätes, mit Ausnahme des Ausgangsstatus. Standardmäßig ist dieser beim Einschalten des Gerätes immer ausgeschaltet, kann aber vom Benutzer so eingerichtet werden, dass er den gleichen Status wie beim letzten Ausschalten des Gerätes annimmt.

Fernbedienungsbefehle

RS232 Fernbedienungsformate

Der serielle Empfang des Gerätes wird über eine 256 Byte große Warteschlange gepuffert. Dies erfolgt unter Verwendung eines Interrupts, quasi im Hintergrund und unabhängig zu allen anderen Gerätefunktionen. Befinden sich etwa 200 Zeichen in der Warteschlange, so sendet das Gerät ein XOFF. XON wird gesendet, wenn wieder 100 Bytes in der Warteschlange frei geworden sind. Diese Warteschlange enthält die rohen, d. h. noch nicht mittels des Parser bearbeiteten Daten. Befehle (und Anfragen) werden der Reihe nach ausgeführt, d.h. der Parser beginnt erst mit einem neuen Befehl, nachdem der vorhergehende Befehl bzw. die vorhergegangene Anfrage vollständig abgearbeitet ist. Im Non-addressable RS232-Modus werden Antworten auf Befehle oder Anfragen sofort geschickt, eine Ausgabe-Warteschlange gibt es nicht. Im Adressierbaren Modus wartet der Antwort-Formatierer, falls erforderlich, unbegrenzt lange, bis das Gerät auf Antworten gestellt wird und die komplette Antwort gesendet wurde. Erst dann setzt der Parser mit der Abarbeitung des nächsten Befehls aus der Eingabe-Warteschlange fort.

Befehle müssen entsprechend der Befehlsliste gesendet werden und müssen mit der Endekennung „0AH“ (Line Feed, LF) abgeschlossen werden. Befehle können auch in Gruppen gesendet werden, wobei die einzelnen Befehle mit dem Zeichen 3BH (;) voneinander zu trennen sind. Die Gruppe ist mit dem Befehlsschlusszeichen 0AH (Line Feed, LF) abzuschließen.

Antworten vom Gerät an den Steuercomputer sind ebenfalls mit entsprechenden Kommandos gemäß Befehlsliste anzufordern. Jede Antwort ist mit dem Zeichen 0DH (Carriage Return, CR) und anschließendem 0AH (Line Feed, LF) abgeschlossen.

<WHITE SPACE> wird mit den Zeichen 00H bis 20H (einschließlich) definiert; ausgenommen sind diejenigen, die als addressable RS232 -Steuercodes festgelegt sind.

<WHITE SPACE> bleibt unberücksichtigt, ausgenommen bei Befehlskennzeichnern, wie z.B. '*C LS' entspricht nicht '*CLS'.

Das hochwertige Bit (MSB) der gesendeten Zeichen bleibt immer unberücksichtigt.

Bei den Befehlen brauchen Groß- und Kleinbuchstaben nicht beachtet zu werden.

GPIB Fernbedienungsformate

Die GPIB-Empfang des Gerätes wird über eine 256 Byte große Warteschlange gepuffert. Dies erfolgt unter Verwendung eines Interrupts, quasi im Hintergrund und unabhängig zu allen anderen übrigen Gerätefunktionen. Diese Warteschlange enthält die rohen, d. h. noch nicht mittels des Parser bearbeiteten Daten. Befehle (und Anfragen) werden der Reihe nach ausgeführt, d.h. der Parser beginnt erst mit einem neuen Befehl, nachdem der vorhergehende Befehl bzw. die vorhergegangene Anfrage vollständig abgearbeitet ist. Eine Sende-Warteschlange gibt es nicht, dies bedeutet, dass der Antwort-Formatierer, falls erforderlich unbegrenzt lange wartet. Erst dann setzt der Parser mit der Abarbeitung des nächsten Befehls aus der Eingabe-Warteschlange fort.

Befehle werden vom Steuergerät als <PROGRAM MESSAGES> gesendet, wobei jede Meldung aus null oder mehr <PROGRAM MESSAGE UNIT> -Elementen besteht, die durch <PROGRAM MESSAGE UNIT SEPARATOR> -Elemente voneinander getrennt sind.

Eine <PROGRAM MESSAGE UNIT> ist jeder Befehl in der Fernbedienungs-Befehlsliste.

Ein <PROGRAM MESSAGE UNIT SEPARATOR> ist das Semikolon „;“ (3BH).

<PROGRAM MESSAGES> werden von <PROGRAM MESSAGE TERMINATOR>-Elementen voneinander getrennt, die folgende Form haben können:

| | |
|--------|--|
| NL | Das Zeichen New Line (0AH), d.h. neue Zeile |
| NL^END | Das Zeichen New Line mit der END-Meldung. |
| ^END | Die END-Meldung mit dem letzten Zeichen der Meldung. |

Antworten vom Gerät an das Steuergerät werden als <RESPONSE MESSAGES> gesendet. Eine <RESPONSE MESSAGE> besteht aus einer <RESPONSE MESSAGE UNIT> mit anschließendem <RESPONSE MESSAGE TERMINATOR>.

Das Zeichen New Line mit der END-Meldung NL^END ist ein <RESPONSE MESSAGE TERMINATOR>. Jede Abfrage erstellt eine spezifische <RESPONSE MESSAGE>, die zusammen mit dem Befehl in der Fernbedienungsbefehlsliste aufgeführt ist.

<WHITE SPACE> bleibt unberücksichtigt, ausgenommen bei Befehlskennzeichnern, wie z.B. '*C LS' entspricht nicht '*CLS'. <WHITE SPACE> wird mit den Zeichen 00H bis 20H je einschließlich definiert, mit Ausnahme des NL-Zeichens (0AH).

Das hochwertige Bit (MSB) der gesendeten Zeichen bleibt immer unberücksichtigt.

Bei den Befehlen brauchen Groß- und Kleinbuchstaben nicht beachtet zu werden.

Befehlsliste

In diesem Abschnitt sind sämtliche Befehle und Abfragen aufgeführt, die in diesem Gerät implementiert sind. Innerhalb ihrer Funktionsgruppen sind die Befehle alphabetisch geordnet. Zu beachten ist, dass keine abhängigen oder „gekoppelten“ Parameter, überlappende Befehle, Expression Programmdatenelemente oder Mehrfachbefehl-Programmheader vorhanden sind - jeder Befehl wird vollständig ausgeführt, bevor der nächste Befehl gestartet wird. Die Befehle erfolgen der Reihe nach und die Meldung „Operation Complete“ (Vorgang abgeschlossen) wird in allen Fällen unmittelbar nach der Ausführung erstellt.

Folgende Nomenklatur wurde verwendet:

- <rmt> <RESPONSE MESSAGE TERMINATOR>
- <nrf> Sämtliche Formate einer Zahl werden akzeptiert, wie z.B. 12, 12,00, 1,2 e1 und 120 e-1 für 12. Jede Zahl wird nach ihrem Empfang je nach erforderlicher Genauigkeit konvertiert, die ihrer Verwendung entspricht und dann gerundet, um den Wert des Befehls zu erhalten.
- <nr1> Eine Nummer ohne Bruchteil, d.h. eine Ganzzahl.
- <nr2> Eine Nummer mit Festkomma, z. B. 11,52, 0,78 usw.
- <n> Die Nummer des Ausgangs oder Statusregisters auf die sich der Befehl bezieht. <n>= 3 bezieht sich auf den Nebenausgang.

Befehle, die mit * beginnen, sind die in der Norm IEEE 488.2 als Common Commands (allgemeine Befehle) aufgeführten Befehle. All diese Befehle funktionieren auch bei der RS232-Schnittstelle, wenngleich nicht alle Befehle hier sinnvoll oder nützlich sind.

Gerätespezifische Befehle

Bei Befehlen die verifiziert werden sollen ('WITH VERIFY') wird die Meldung „Vorgang abgeschlossen“ erst dann erzeugt wenn der einzustellende Parameter den erforderlichen Wert innerhalb von +/-5 % oder +/-10 Zählschritten erreicht hat (je nachdem welcher Wert größer ist). Werden diese Grenzwerte nicht innerhalb von 5 Sekunden erreicht so wird das „Verify Timeout“ Bit (Bit 3) im Standard Event Status Register gesetzt und die Meldung „Vorgang abgeschlossen“ nicht erzeugt.

Befindet sich das Gerät im LINK Modus gelten alle Befehle die sich auf Werte und Bereiche beziehen für Ausgang 1 und 2 gleichzeitig, unabhängig davon ob <n> auf 1 oder 2 gesetzt ist. Bei Befehlen die verifiziert werden sollen, erfolgt die Verifizierung beider Ausgänge bevor der Befehl ausgeführt wird. Die Befehle SAV<n> und RCL<n> gelten für den reservierten Permanentenspeicher, der für den Link Modus reserviert ist, so dass es gleichgültig ist ob <n> auf 1 oder 2 gesetzt wird. Beachten Sie jedoch, dass <n> zum Befehl gehört und weiterhin angegeben werden muss.

- V<n> <nrf> Ausgangsspannung <n> auf <nrf> Volt setzen
- V<n>V <nrf> Ausgangsspannung <n> auf <nrf> Volt setzen, mit Verifizierung
- OVP<n> <nrf> Auslösepunkt für den Überspannungsschutz des Ausgangs <n> auf <nrf> Volt setzen
- I<n> <nrf> Strombegrenzung des Ausgangs <n> auf <nrf> Ampere setzen

| | |
|------------------|--|
| OCP<n> <nrf> | Auslösepunkt für den Überstromschutz des Ausgangs <n> auf <nrf> Ampere setzen |
| V<n>? | Eingestellte Spannung des Ausgangs <n> rückmelden – Antwort ist V <n> <nr2><rmt> mit <nr2> in Volt |
| I<n>? | Eingestellte Strombegrenzung des Ausgangs <n> rückmelden – Antwort ist I <n> <nr2><rmt> mit <nr2> in Ampere |
| OVP<n>? | Überspannungseinstellung für Ausgang <n> rückmelden – Antwort ist VP<n> <nr2><rmt> mit <nr2> in Volt |
| OCP<n>? | Überstromeinstellung für Ausgang <n> rückmelden – Antwort ist IP<n> <nr2><rmt> mit <nr2> in Ampere |
| V<n>O? | Erfasste Ausgangsspannung für Ausgang <n> rückmelden – Antwort ist <nr2>V<rmt> mit <nr2> in Volt |
| I<n>O? | Erfassten Ausgangsstrom für Ausgang <n> rückmelden – Antwort ist <nr2>A<rmt> mit <nr2> in Ampere |
| RANGE<n> <nrf> | Spannungsbereich des Ausgangs <n> auf <nrf> setzen wobei <nrf> folgende Bedeutung hat: 0=15 V(5 A), 1=35 V(3 A), 2=35 V(500 mA) |
| RANGE<n>? | Eingestellten Spannungsbereich für Ausgang <n> rückmelden – Antwort ist R<n> <nr1><rmt> wobei <nr1> folgende Bedeutung hat: 0=15 V(5 A), 1=35 V(3 A), 2=35 V(500 mA) |
| DELTA V<n> <nrf> | Schrittgröße der Ausgangsspannung für Ausgang <n> auf <nrf> Volt setzen |
| DELTA I<n> <nrf> | Schrittgröße des Ausgangsstroms für Ausgang <n> auf <nrf> Ampere setzen |
| DELTA V<n>? | Schrittgröße der Ausgangsspannung für Ausgang <n> rückmelden – Antwort ist DELTA V<n> <nr2><rmt> mit <nr2> in Volt. |
| DELTA I<n>? | Schrittgröße des Ausgangsstroms für Ausgang <n> rückmelden – Antwort ist DELTA I<n> <nr2><rmt> mit <nr2> in Ampere. |
| INCV<n> | Ausgangsspannung für Ausgang <n> um die Schrittgröße für Ausgang <n> erhöhen |
| INCV<n>V | Ausgangsspannung für Ausgang <n> um die Schrittgröße für Ausgang <n> erhöhen (mit Verifizierung) |
| DECV<n> | Ausgangsspannung für Ausgang <n> um die Schrittgröße für Ausgang <n> senken |
| DECV<n>V | Ausgangsspannung für Ausgang <n> um die Schrittgröße für Ausgang <n> senken (mit Verifizierung) |
| INCI<n> | Strombegrenzung für Ausgang <n> um die Schrittgröße für Ausgang <n> erhöhen |
| DECI<n> | Strombegrenzung für Ausgang <n> um die Schrittgröße für Ausgang <n> senken |
| OP<n> <nrf> | Ausgang <n> auf Ein/Aus stellen wobei <nrf> folgende Bedeutung hat: 0=OFF, 1=ON <n> auf 3 setzen, um den den Nebenausgang zu steuern |
| OPALL <nrf> | Gleichzeitig alle Ausgänge auf Ein/Aus stellen wobei <nrf> folgende Bedeutung hat: 0=All OFF, 1=ALL ON. Wenn OPALL alle Ausgänge auf ON schalten bleiben alle bereits eingeschalteten Ausgänge weiterhin ON Wenn OPALL alle Ausgänge auf OFF schaltet bleiben alle bereits ausgeschalteten Ausgänge weiterhin OFF |
| SENSE<n> <nrf> | Sense-Betrieb festlegen wobei <nrf> folgende Bedeutung hat: 0=Lokal, 1=Fernbedienung |

| | |
|--------------|---|
| MODE <nrf> | <p>Betriebsart des Geräts auf LINK einstellen, oder die Steuerung auf Ausgang 1 bzw. 2 legen, wobei <nrf> folgende Bedeutung hat:</p> <p>0 = synchron, 1 = Steuerung Ausgang 1, 2 = Steuerung Ausgang 2.</p> <p>Im Link Modus ändert sich die Reaktion des Geräts auf bestimmte Fernbedienungsbefehle. Bei Umschaltung der Steuerung auf Ausgang 1 oder 2 wird der Link Modus verlassen. Weitere Auswirkungen ergeben sich erst wenn sich das Gerät wieder im Lokalbetrieb befindet.</p> <p>Jede im Fernbedienungsbetrieb eingestellte Betriebsart wird auch bei Rückkehr auf den Lokalbetrieb beibehalten.</p> |
| MODE? | <p>Aktuelle Betriebsart rückmelden</p> <p>– Antwort ist LINKED oder CTRL<n> (Steuerung des Ausgangs <n>)</p> |
| TRIPRST | Versuche alle Auslösebedingungen zu löschen |
| LOCAL | Auf Lokalbetrieb gehen |
| LSR<n>? | <p>Limit Status Register LSR<n> abfragen und löschen</p> <p>– Antwort ist <nr1><rmt></p> |
| LSE<n> <nrf> | Wert des Limit Status Enable Registers LSE<n> auf <nrf> setzen |
| LSE<n>? | <p>Wert des Limit Status Enable Registers LSE<n> rückmelden</p> <p>– Antwort ist <nr1><rmt></p> |
| SAV<n> <nrf> | <p>Die aktuelle Einstellung des Netzgeräts <n> mit der durch <nrf> angegebenen Speichernummer speichern, wobei <nrf> die Werte 0-9 annehmen kann.</p> <p>Befindet sich das Gerät im Link Modus wird die gesamte Einstellung des Geräts im mit <nrf> bestimmten Speicher für den Link Modus abgelegt. Der Parameter <n> wird ignoriert. Dies hat keine Auswirkung auf die individuell gespeicherten PSU<n> Werte, die in den anderen Betriebsarten gültig sind.</p> |
| RCL<n> <nrf> | <p>Eine Einstellung des Netzgeräts <n> mit der durch <nrf> angegebenen Speichernummer aufrufen, wobei <nrf> die Werte 0-9 annehmen kann</p> <p>Befindet sich das Gerät im Link Modus wird die gesamte Einstellung des Geräts aus dem mit <nrf> bestimmten Speicher aufgerufen. Der Parameter <n> wird ignoriert.</p> |

System- und Statusbefehle

| | |
|------------|--|
| *RST | Stellt das Gerät auf die Standardvorgabe-Einstellungen zurück – (siehe Abschnitt Werkseinstellungen) mit Ausnahme der Einstellungen zur Fernbedienung der Schnittstellen. |
| EER? | Abfragen und Löschen des Execution Error Registers. Das Antwortformat hat die Form nr1<rmt>. |
| QER? | Abfragen und Löschen des Query Error Registers. Das Antwortformat hat die Form nr1<rmt> |
| *CLS | Clear Status. Hiermit werden die Register Standard Event Status, Query Error und Execution Error gelöscht. Auf diese Weise wird auch das Status Byte Register indirekt gelöscht. |
| *ESE <nrf> | Standard Event Status Enable Register auf den Wert von <nrf> setzen. |
| *ESE? | Sendet den Wert im Standard Event Status Enable Register im numerischen Format <nr1> zurück. Die Syntax der Antwort lautet <nr1><rmt>. |
| *ESR? | Sendet den Wert im Standard Event Status Register im numerischen Format <nr1> zurück. Anschließend wird das Register gelöscht. Die Syntax der Antwort lautet <nr1><rmt>. |
| *IST? | Sendet die Lokalmeldung „ist“ laut Definition der Norm IEEE 488.2 zurück. Die Syntax der Antwort lautet 0<rmt>, wenn die lokale Antwort falsch ist, bzw. 1<rmt>, wenn die lokale Meldung wahr ist. |

| | |
|------------|--|
| *OPC | Setzt das "Operation Complete" (Vorgang abgeschlossen)-Bit (Bit 0) im Standard Event Status Register. Aufgrund des sequentiellen Ablaufs aller Vorgänge geschieht dies unmittelbar nach Ausführung des Befehls. |
| *OPC? | Query Operation Complete Status (Abfrage des Status „Vorgang abgeschlossen“). Die Syntax der Antwort lautet 1<rmt>. Aufgrund des sequentiellen Ablaufs aller Vorgänge steht die Antwort unmittelbar nach Ausführung des Befehls zur Verfügung. |
| *PRE <nrf> | Parallel Poll Enable Register auf den Wert von <nrf> stellen. |
| *PRE? | Sendet den Wert im Parallel Poll Enable Register im numerischen Format <nr1> zurück. Die Syntax der Antwort lautet <nr1><rmt>. |
| *SRE <nrf> | Service Request Enable Register auf <nrf> setzen. |
| *SRE? | Sendet den Wert im Service Request Enable Register im numerischen Format <nr1> zurück. Die Syntax der Antwort lautet <nr1><rmt>. |
| *STB? | Sendet den Wert im Status Byte Register im numerischen Format <nr1> zurück. Die Syntax der Antwort lautet <nr1><rmt>. |
| *WAI | Abwarten bis „Operation Complete“ (Vorgang abgeschlossen) wahr ist. Da sämtliche Befehle vollständig ausgeführt werden, bevor der jeweils nächste gestartet wird, bedarf dieser Befehl keiner zusätzlichen Maßnahme. |

Diverse Befehle

| | |
|----------|---|
| *IDN? | Gibt die Geräteerkennung an. Die genaue Antwort richtet sich nach der Gerätekonfiguration und hat die Form <NAME>,<Modell>, 0, <Version><rmt>, wobei für <NAME> der Herstellername erscheint, für <Modell> der Gerätetyp und für <Version> die installierte Software-Version. |
| ADDRESS? | Bus-Adresse des Geräts rückmelden. Antwort ist <nr1><rmt>. |
| *TST? | Der Generator besitzt keine Eigentesteinrichtung, weshalb die Antwort stets 0 <rmt> lautet. |
| *TRG | Der Generator besitzt keine Triggerfunktion. |

Kalibrierspezifische Befehle

Die kalibrierspezifischen Befehle befinden sich in der Wartungsanleitung.

Fehlermeldungen

Jede Fehlermeldung hat eine Nummer - nur diese Nummer wird über die Fernbedienungs-Schnittstellen ausgegeben. Fehlermeldungen werden nicht angezeigt, sondern im Execution Error Register gespeichert, wo sie durch die Fernbedienungs-Schnittstellen gelesen werden können (siehe Abschnitt „Status-Berichterstattung“).

Wartung

Der Hersteller bzw. seine Auslandsvertretungen stellen einen Reparaturdienst für Geräte bereit, bei denen Störungen auftreten. Falls die Besitzer ihre eigene Wartungsarbeiten durchführen wollen, sollten diese nur von gelernten Fachkräften und in Verbindung mit der Wartungsanleitung vorgenommen werden, letztere kann direkt vom Hersteller oder über seine Auslandsvertretungen bezogen werden kann..

Reinigung

Falls das Gerät gereinigt werden muss, einen leicht mit Wasser oder einem milden Reinigungsmittel angefeuchteten Lappen verwenden.

WARNUNG! ZUR VERMEIDUNG VON ELEKTRISCHEM SCHLAG BZW. SCHÄDEN AM GERÄT, STETS DARAUFGACHTEN, DASS KEIN WASSER IN DAS GERÄTEINNERE GELANGT. ZUR VERMEIDUNG VON SCHÄDEN AM GEHÄUSE, KEINE LÖSUNGSMITTEL ZUR GEHÄUSEREINIGUNG VERWENDEN!

Questo alimentatore appartiene alla Categoria di Sicurezza 1 secondo la classifica IEC ed è stato progettato in modo da soddisfare i criteri EN61010-1 (requisiti di Sicurezza per Apparecchiature di misura, controllo e per uso in laboratorio). È uno strumento di Categoria II di installazione e inteso per funzionamento con un'alimentazione normale monofase.

Questo strumento ha superato le prove previste da EN61010-1 e viene fornito in uno stato di sicurezza normale. Questo manuale contiene informazioni e avvertenze che devono essere seguite per assicurarsi di un'operazione sicura e mantenere lo strumento in condizioni di sicurezza.

Questo strumento è progettato per uso all'interno e in un ambiente d'inquinamento Grado 2, entro la gamma di temperatura da 5°C a 40°C con umidità relativa (non condensante) di 20% - 80%. Può occasionalmente essere assoggettato a temperature fra +5°C e -10°C senza comprometterne la sicurezza. Non usare in presenza di condensazione.

L'uso dello strumento in maniera non conforme a quanto specificato in queste istruzioni potrebbe pregiudicare la protezione di cui è dotato. Non usare lo strumento per misurare tensioni al di sopra dei valori nominali o in condizioni ambientali al di fuori di quelle specificate.

ATTENZIONE! QUESTO STRUMENTO DEVE ESSERE COLLEGATO A TERRA

Una qualsiasi interruzione sia interna che esterna del collegamento a terra lo rende pericoloso. È proibito interrompere questo collegamento deliberatamente. La protezione non deve essere negata attraverso l'uso di un cavo di prolunga privo del filo di collegamento a terra.

Quando lo strumento è alimentato, alcuni morsetti sono sotto tensione e l'apertura dei coperchi o la rimozione di parti (eccetto quei componenti accessibili senza l'uso di attrezzi) può lasciare scoperti dei morsetti sotto tensione. L'apparecchiatura deve essere staccata da tutte le sorgenti di tensione prima di aprirla per regolazioni, manutenzione o riparazioni.

I condensatori collegati all'alimentazione interna possono essere carichi anche dopo aver staccato l'alimentazione ma si scaricano in circa 10 minuti dopo aver levato la corrente.

È consigliabile evitare, per quanto possibile, qualsiasi operazione di regolazione e di riparazione dello strumento sotto tensione e, qualora fosse inevitabile, dette operazioni devono essere eseguite da una persona specializzata in materia, che sia pienamente conscia del pericolo presente.

Quando sia chiaro che lo strumento è difettoso, o che ha subito un danno meccanico, un eccesso di umidità, o corrosione a mezzo di agenti chimici, la sicurezza potrebbe essere stata compromessa e lo strumento deve essere ritirato dall'uso e rimandato indietro per le prove e le riparazioni del caso.

Assicurarsi di usare solo fusibili della portata giusta e del tipo corretto durante eventuali sostituzioni. Sono proibiti sia l'uso di fusibili improvvisati che il corto circuito deliberato dei portavalvole.

Non bagnare lo strumento quando si pulisce.

Sullo strumento e in questo manuale si fa uso dei seguenti simboli.



Terminale di Terra



alimentazione ON (accesa)



alimentazione OFF (spenta)



Corrente Continua

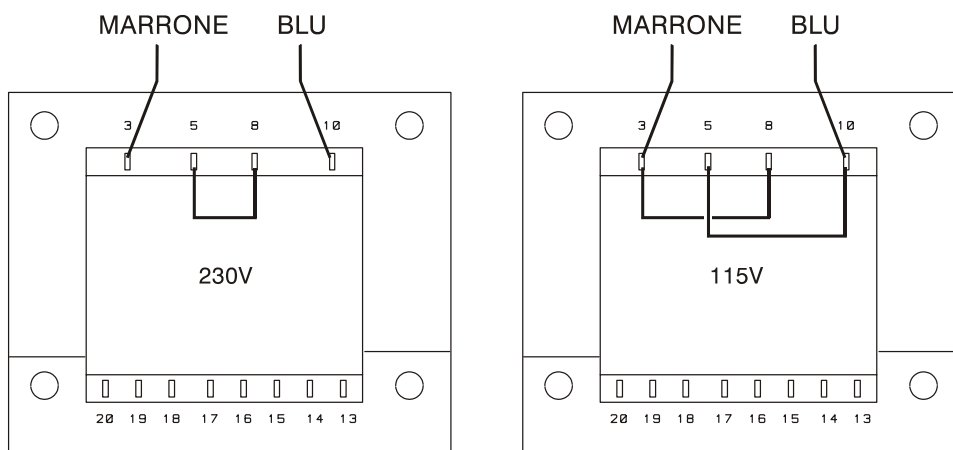


Corrente Alternata

Installazione

Verificare che la tensione di esercizio stampigliata sul pannello posteriore corrisponda a quella erogata dalla rete di alimentazione locale. Qualora sia necessario cambiare la tensione di esercizio, osservare le seguenti istruzioni:

- 1) Staccare lo strumento da tutte le fonti di alimentazione.
- 2) Svitare le viti che fissano il coperchio superiore e togliere il coperchio.
- 3) Cambiare i collegamenti di entrambi i trasformatori osservando lo schema pertinente illustrato qui sotto:



- 4) Rimontare il coperchio e fissarlo con le viti tolte in precedenza.
- 5) Al fine di assicurare la conformità ai requisiti di sicurezza vigenti, indicare con chiarezza la nuova tensione di esercizio sostituendola alla precedente.
- 6) Sostituire il fusibile con uno dalla potenza idonea; vedi sotto.

Fusibile

Il fusibile per c.a. si trova nel portafusibili della parte inferiore del connettore d'ingresso a norma IEC. Per sostituire il fusibile, staccare il cavo di alimentazione ed aprire il cassetto portafusibili con un utensile idoneo.

Utilizzare un fusibile ad alto punto di fusione da 20 x 5 mm da 250 V, dalla potenza indicata qui di seguito:

per tensione di esercizio di 230 V: 2 A (T) 250 V ad alto punto di fusione

per tensione di esercizio di 115 V: 4 A (T) 250 V ad alto punto di fusione

Utilizzare esclusivamente fusibili dall'ampereaggio e tipologia previste. È tassativamente vietato utilizzare fusibili del tipo errato e cortocircuitare i portafusibili.

Cavo di alimentazione

Collegare i cavi di alimentazione a tre fili osservando lo schema qui sotto:

Marrone - Fase
Blu - Neutro
Verde / Giallo - Terra

AVVERTENZA! PROVVEDERE ALLA MESSA A TERRA DELLO STRUMENTO

L'eventuale rottura del conduttore di terra di rete internamente o esternamente allo strumento rende pericoloso l'utilizzo dello strumento. La rottura volontaria del filo di terra è tassativamente vietata. Evitare l'impiego di prolunghie sprovviste di conduttore di protezione.

Montaggio

Lo strumento può essere montato su banco o su rack. Viene fornito provvisto di piedini destinati al montaggio su banco. I piedini anteriori sono dotati di un meccanismo che consente di orientare a piacimento il pannello.

Il rack destinato al montaggio degli alimentatori della serie XDL può essere acquistato direttamente dal Costruttore o dal rivenditore di fiducia. Il rack è in grado di ospitare 1, 2 o 3 alimentatori singoli od un alimentatore triplo e uno singolo; è anche possibile acquistare supporti di chiusura per le posizioni del rack non utilizzate.

Ventilazione

Il raffreddamento dell'alimentatore viene effettuato dalla sofisticata ventola plurivelocità, che convoglia l'aria verso il retro dell'apparecchio. Evitare di ostruire le feritoie d'ingresso dell'aria sui pannelli laterali e posteriori. Nel caso di montaggio su rack, prevedere uno spazio libero sufficiente intorno allo strumento e/o utilizzare un ripiano di ventilazione per il raffreddamento forzato.

Collegamenti al pannello frontale

Collegare i carichi ai morsetti positivo (rossi) e negativo (nero) contrassegnati dalla dicitura OUTPUT 1, OUTPUT 2 o AUXILIARY.

Gli eventuali collegamenti per i rilevatori remoti ai carichi sulle uscite si realizzano dai morsetti REMOTE SENSE positivo (+) e negativo (-) corrispondenti. L'inserimento dei rilevatori remoti si effettua dalla tastiera o dall'interfaccia di controllo remota (solo per il XDL 35-5TP); quando si inserisce questa modalità di funzionamento, si accende la spia REMOTE SENSE. La disattivazione della modalità REMOTE SENSE riporta lo strumento alla modalità rilevamento locale sui morsetti di uscita.

Il morsetto contrassegnato dal simbolo  va collegato al telaio e alla messa a terra.

Collegamenti al pannello posteriore

Morsetti di uscita ausiliari

I morsetti sul pannello anteriore contrassegnati AUXILIARY OUTPUT sono presenti anche sul pannello posteriore (senza viti) e sono contrassegnati con la dicitura AUXILIARY OUTPUT.

Morsetti di uscita principali (solo per il XDL 35-5TP)

I morsetti di uscita e di rilevamento sono duplicati sulla morsettiera avvitabile del pannello posteriore e sono contrassegnati dalle diciture Output +, Output -, Sense + e Sense - ; questi collegamenti sono montati parallelamente a quelli sul pannello anteriore.

La selezione della modalità Remote sense viene effettuata tramite la tastiera o l'interfaccia di controllo remota. Quando si utilizzano i morsetti sul pannello posteriore, occorre selezionare sempre la modalità remote sense per mantenere sempre i valori previsti di erogazione di corrente.

RS232 (solo per il XDL 35-5TP)

Connettore a vaschetta a 9 pin compatibile con la porta RS232 indirizzabile. I collegamenti dei pin sono indicati qui di seguito:

| Pin | Denom. | Descrizione |
|-----|--------|--------------------------------|
| 1 | - | Nessun collegamento interno |
| 2 | TXD | Dati trasmessi dallo strumento |
| 3 | RXD | Dati ricevuti dallo strumento |
| 4 | - | Nessun collegamento interno |
| 5 | GND | Terra segnale |
| 6 | - | Nessun collegamento interno |
| 7 | RXD2 | Dati secondari ricevuti |
| 8 | TXD2 | Dati secondari trasmessi |
| 9 | GND | Terra segnale |

I pin 2, 3 e 5 possono essere utilizzati come una tradizionale porta RS232 con handshaking XON/XOFF. I pin 7, 8 e 9 vengono utilizzati quando lo strumento funziona nella modalità RS232 indirizzabile. Le messe a terra dei segnali sono collegate alla messa a terra dello strumento. L'indirizzo RS232 viene impostato dalla tastiera.

GPIB (solo per il XDL 35-5TP)

L'interfaccia GPIB non è isolata; le messe a terra del segnale GPIB sono collegate alla messa a terra dello strumento.

I subset adottati sono indicati qui di seguito:

SH1 AH1 T6 TE0 L4 LE0 SR1 RL1 PP1 DC1 DT1 C0 E2

L'indirizzo GPIB viene impostato dalla tastiera.

USB (solo per il XDL 35-5TP)

La porta USB viene collegata alla messa a terra dello strumento ed ospita un cavo USB standard. Le funzioni plug-and-play di Windows dovrebbero riconoscere automaticamente che lo strumento è stato collegato.

Uscite degli allarmi

A ciascuna uscita principale sono collegati 2 connettori a 2 pin ad incasso contrassegnati dalla dicitura Alarm, che consentono di intervenire sul transistor di commutazione NPN opto-isolato, la cui funzione può essere impostata dalla tastiera; vedi la sezione Allarmi del presente manuale.

La tensione massima di esercizio che può essere erogata a tutti i morsetti è 20 V c.c. e il calo massimo di corrente per la chiusura dell'interruttore è 1 mA.



Verificare che le eventuali tensioni esterne erogate ai morsetti non superino i 30 V c.c.

Primo utilizzo

La presente sezione riporta la descrizione generale dei comandi e del funzionamento dello strumento e deve essere letta attentamente prima di utilizzare l'alimentatore per la prima volta.

Nel presente manuale i tasti, i collegamenti e i segnalatori del display sul pannello anteriore sono indicati in lettere maiuscole, ad es. STORE, ESCAPE, OUTPUT, JOG. I messaggi visualizzati sul display a 7 caratteri sono stampati in caratteri di stampa diversi, ad es. **StorE**, **GPiB**, **trIP** in maiuscolo o in minuscolo per rappresentare i caratteri visualizzati sul display a 7 caratteri dello strumento.

Pulsante di accensione, pulsante erogazione On/Off

L'interruttore di accensione si trova in fondo a sinistra sul pannello frontale.

All'accensione, vengono utilizzate automaticamente le configurazioni predefinite salvate quando si era spento lo strumento l'ultima volta, ma con tutte le uscite sempre disinserite (Off). L'utente può però cambiare le configurazioni predefinite in modo che, all'accensione di alcune uscite selezionate, venga mantenuta la condizione operativa dello strumento allo spegnimento; vedi la sezione Funzioni supplementari.

Le uscite per c.c. (DC) vengono commutate elettronicamente con i relativi tasti ON/OFF; i tasti si illuminano quando le relative uscite sono inserite (nella posizione on). Le uscite possono anche inserite e disinserite agendo sui tasti ALLON (inserisci tutte) e ALL OFF (disinserisci tutte).

Inserimento/disinserimento sincronizzato delle uscite

Agendo sul tasto ALL OFF si disinseriscono in sincronia tutte le uscite inserite; in presenza del medesimo carico, le uscite si disinseriscono in genere ad un intervallo di tempo di 1 ms. Quando tutte le uscite sono disinserite (nella posizione off), si illumina di verde il tasto ALL OFF. Agendo sul tasto ALL ON quando tutte le uscite sono disinserite, tutte le uscite vengono inserite in sincronia; in presenza del medesimo carico, le uscite vengono disinserite in genere ad 1 ms d'intervallo l'una dall'altra. Qualora però una o più uscite siano già inserite, agendo sul tasto ALL ON vengono inserite tutte le altre uscite, ma dopo un intervallo di tempo che può raggiungere gli 80 ms, anche se il carico e le impostazioni delle uscite sono identici.

Tastiera

La presente sezione descrive sommariamente i principi di funzionamento dello strumento; l'impostazione dei singoli parametri è descritta nelle sezioni successive.

La tastiera è stata progettata al fine di garantire l'esecuzione delle modifica delle impostazioni all'insegna della sicurezza ottimale (ovvero di minimizzare il rischio di erogare tensioni eccessive agli utilizzatori), pur mantenendo la semplicità di utilizzo. A tal fine, la modifica dei valori numerici impostati prevede la conferma da parte dell'utente (tramite il tasto OK), nonché la possibilità di premere ESCAPE in qualsiasi momento o di attendere che venga superato il tempo massimo a disposizione e che vengano ripristinati i valori originali.

La presenza di un cicalino, dei tasti illuminati, dei segnalatori LED e la comparsa di messaggi sullo schermo sono destinate a minimizzare la possibilità di errori di digitazione o di controllo. Gli utenti abituali che ritengono superflua l'attivazione di alcuni di questi dispositivi (ad es. i segnalatori acustici o lampeggianti) potranno disattivarli tramite la funzione di disattivazione, descritta nella sezione Funzioni supplementari.

La funzione di modifica della configurazioni predefinite dalla tastiera o tramite i comandi Jog (funzionamento ad intermittenza) viene attribuita alle uscite Output 1, Output 2 o ad entrambe agendo sui tasti 1, 2 o LINK ◀ CONTROL ▶ rispettivamente. Il tasto (1 o 2) correlato all'uscita selezionata si illumina per indicare l'uscita interessata. Nella modalità LINK (entrambi i tasti illuminati) entrambe le uscite vengono controllate contemporaneamente, unitamente ad altre funzioni come RANGE, STORE, RECALL e V x A. Le descrizioni qui di seguito interessano una od entrambe le uscite principali, relativamente al valore indicato dall'illuminazione dei tasti ◀ CONTROL ▶.

Durante il funzionamento normale dell'apparecchio, il tastierino numerico viene disattivato; la pressione di uno dei tasti numerici attiva il cicalino ed emette un doppio segnale acustico per segnalare l'esecuzione di un'operazione illecita. Per impostare la tensione o la corrente con il tastierino numerico, premere il tasto V o I sotto NUMERIC SET (impostazione valori numerici); il display interessato visualizza 0-000V o 0-000A, con il valore a sinistra del punto decimale lampeggiante. I valori interi e decimali vengono digitati dopo la comparsa del prompt lampeggiante e successivamente confermati con il tasto OK. La mancata pressione del tasto OK dopo 10 secondi dalla digitazione dell'ultimo valore annulla il valore digitato e il display visualizza il valore originale. Qualora si preme ESCAPE durante la procedura di digitazione, il valore digitato viene annullato e il display visualizza il valore originale.

Il tasto OK serve per confermare la maggior parte dei valori numerici digitati. In tutte le altre occasioni, assume le funzioni del tasto VIEW V/I LIMITS (visualizza i limiti di tensione e corrente); la pressione del tasto comporta la visualizzazione per 3 secondi della tensione erogata predefinita e il valore limite della corrente: durante questo periodo di tempo, la scritta LIM lampeggia sul display.

La pressione del tasto SHIFT illumina il tasto e attiva le funzioni suindicate per i tasti numerici (ad es. STORE (memorizza), RECALL (richiama) ecc.). Quando si sceglie una funzione premendo uno di questi tasti, la funzione SHIFT viene annullata (ovvero il tasto SHIFT viene spento). I tasti da premere per eseguire la funzione prescelta sono descritti in dettaglio nelle sezioni che seguono; la mancata pressione di un tasto entro 10 secondi disattiva la funzione selezionata, come se si avesse premuto il tasto ESCAPE. SHIFT è un tasto bifunzione, ovvero quando viene premuto una seconda volta, la sua funzione viene disattivata. È anche possibile annullare la selezione del tasto SHIFT premendo ESCAPE oppure SET V o SET I. Si fa presente che, nella modalità LINK, le configurazioni predefinite richiamate tramite i tasti STORE e RECALL interessano soltanto la modalità LINK e sono disponibili oltre alle configurazioni richiamabili tramite i tasti STORE e RECALL sulle uscite selezionate singolarmente.

Manopola di variazione graduale

La manopola sullo strumento consente di aumentare o diminuire gradualmente la tensione o la corrente erogata al valore impostato tramite i tasti JOG SET (impostazione variazione graduale); l'erogazione viene regolata automaticamente, ovvero non è necessario premere OK.

All'accensione, la funzione è disinserita. Per variare gradualmente il valore della tensione o della corrente, premere il tasto V o I sotto JOG SET; il tasto premuto si illumina e l'indicatore JOG sotto l'ultimo valore selezionato lampeggia. Mentre il tasto V o I sotto JOG SET è illuminato, le ulteriori pressioni del tasto V o I provocano lo spostamento dell'indicatore JOG di un valore a sinistra; quando viene raggiunto il valore massimo a disposizione, la successiva pressione del comando richiama il valore più basso. La posizione predefinita all'accensione è sotto il LSD, ovvero viene selezionata la variazione più bassa.

La rotazione della manopola in senso orario/antiorario aumenta/diminuisce il valore selezionato; i valori a sinistra di quello che si sta cambiando vengono aumentati/diminuiti automaticamente quando viene raggiunto il punto minimo/massimo della decina. I valori a destra di quello che si sta cambiando rimangono inalterati, a meno che il passo selezionato non raggiunga/superi il valore massimo/minimo della gamma, nel cui caso vengono riportati a zero. Ad esempio, 33-65V diventa 34-65V, poi 35-00V per il campo di valori 35 V e un aumento graduale di 1 V; 0-160A diventa 0-060A, poi 0-001A per una riduzione graduale di 0,1 A.

I passi della variazione graduale selezionabili sono: 1 mV, 10 mV, 100 mV e 1 mA, 10 mA, 100 mA; qualora si selezionasse la gamma 35V/500mA, i passi dell'aumento della corrente saranno: 0,1 mA, 1 mA, 10 mA.

Per disattivare la manopola di variazione graduale, premere il tasto OFF sotto JOG SET; qualora si preme di nuovo il tasto V o I sotto JOG SET, viene riattivata la funzione variazione graduale per l'ultimo valore utilizzato. La funzione variazione graduale non può essere annullata tramite i tasti numerici o le funzioni di SHIFT, ma può essere disattivata mentre la funzione SHIFT è attiva.

Nella modalità tensione costante, la parte destra del display visualizza la corrente effettivamente erogata anziché il valore max. di corrente. Qualora si selezionasse I sotto JOG SET, l'indicatore JOG

sotto il valore selezionato lampeggia a cadenza dimezzata (lampeggio lento). Per osservare l'effetto della variazione graduale del valore max. di corrente, è necessario disinserire l'erogazione di corrente (in modo che il display visualizzi sempre il valore max. di corrente) o premere VIEW V/I LIMITS, che visualizza il valore max. di corrente per 3 secondi mentre è attiva la funzione di variazione graduale. Il lampeggio lento viene anche utilizzato quando si preme V sotto JOG SET e viene visualizzata la tensione effettivamente erogata perché l'alimentazione è passata al valore max. corrente.

L'apparecchio è impostato in modo che l'indicatore JOG sotto il valore selezionato lampeggi per l'intera durata della funzione variazione graduale al fine di segnalare costantemente all'utente il parametro che può essere aumentato/diminuito. Qualora l'utente ritenga insufficiente questo tipo di segnalazione, potrà selezionare il lampeggio del valore stesso; qualora il lampeggio venga considerato fastidioso, l'utente potrà selezionare la disattivazione dell'indicatore JOG (ad eccezione del lampeggio lento).

Display

Il display indica la tensione sul lato sinistro (5 cifre) e la corrente sul lato destro (4 cifre) per entrambe le uscite principali. Il display a 7 segmenti serve anche per visualizzare le richieste di intervento dell'utente durante l'impostazione di alcune funzioni (ad es. delle funzioni memorizza/riciama o dell'indirizzo di controllo remoto) tramite il set di caratteri a disposizione con il display a 7 segmenti; la dimensione ridotta del display comporta l'utilizzo simultaneo di lettere maiuscole e minuscole.

Sopra e sotto il display a 7 segmenti ci sono diversi segnalatori visibili solo all'attivazione. A destra, sopra il display per la corrente, ci sono i segnalatori luminosi che visualizzano i valori max di esercizio:

35V/3A, 15V/5A o 35V/500mA; i segnalatori si accendono sotto la gamma di valori visualizzata sopra di essi e, nel caso della gamma 35 V/500 mA, il segnalatore è contrassegnato dalla dicitura mA per indicare che il display per la corrente visualizza i valori in mA. Gli altri segnalatori sotto il display sono:

CI, che segnala che lo strumento si trova nella modalità corrente costante; LIM, che lampeggia quando si preme il tasto VIEW V/I LIMITS per segnalare il limite impostato per la tensione/la corrente; REM, che si accende quando lo strumento viene gestito da un'interfaccia remota (solo per il XDL 35-5TP).

Sotto i tre valori meno significativi visualizzati nei display tensione e corrente ci sono i segnalatori JOG; il segnalatore interessato lampeggia quando si attiva la funzione variazione graduale; vedi la sezione Manopola di variazione graduale, qui sopra.

Funzionamento in manuale

Si invitano tutti gli utenti novizi a leggere attentamente il capitolo Primo utilizzo, che descrive i principi di funzionamento della tastiera e della manopola variazione graduale. I paragrafi che seguono descrivono il funzionamento indipendente di entrambe le uscite principali (Main Output). Per selezionare l'uscita da controllare tramite la tastiera/il comando Jog, occorre prima selezionare l'uscita desiderata premendo il tasto ◀ CONTROL ▶ pertinente (1 o 2); il tasto si illumina per indicare l'uscita selezionata.

Le funzioni supplementari disponibili nella nella modalità LINK (entrambe le uscite principali selezionate) sono descritte nella sezione Uscite principali– modalità Link, più avanti nel manuale.

Impostazione della tensione

Il display a sinistra visualizza la tensione impostata a una risoluzione di 1 mV, ad eccezione di quando lo strumento funziona nella modalità corrente costante (CI). Nella modalità CI, appare nel display la tensione effettivamente erogata (che è inferiore a quella impostata) e la risoluzione del display è 10 mV; la cifra meno significativa (passo di 1 mV) viene sempre visualizzata con uno zero.

La tensione può essere impostata direttamente dal tastierino numerico: premere il tasto V sotto NUMERIC SET, digitare il nuovo valore tramite i tasti numerici e confermarlo premendo OK. I principi basilari di funzionamento del tastierino numerico sono descritti nel capitolo Primo utilizzo, che deve essere letto da tutti gli utenti novizi.

Quando si preme V sotto NUMERIC SET, il display visualizza 0-000; si inserisce poi una nuova tensione (ad es. 12,345 V premendo i tasti 1, 2, ., 3, 4, 5), che si conferma con il tasto OK. La posizione del punto decimale nel display è fissa, allo scopo di minimizzare la possibilità di digitare un valore errato. Di conseguenza, e per evitare la necessità di digitare gli zeri iniziali (ad es. 2,345 V si digita 2, ., 3, 4, 5, OK), i numeri a sinistra del punto decimale vengono visualizzati in modo leggermente diverso da quelli a destra del punto decimale in fase di digitazione; la differenza si noterà immediatamente durante la digitazione dei valori.

Il valore minimo d'impostazione della tensione è 0,000 V; l'impostazione massima è 35,000 V (15,000 V sulla gamma 15V/5A) (si ricorda che la virgola decimale va sostituita col punto).

La pressione di OK imposta il valore di tensione digitato e le eventuali cifre rimanenti vengono impostate su zero, ad es. 1, 2, ., 3, OK imposta 12,300 V; 1, OK imposta 1,000 V; la pressione di OK subito dopo SET V (mentre il display visualizza 0,000 V) imposta 0,000 V.

La pressione di ESCAPE durante l'operazione o la mancata pressione di un tasto entro 10 secondi dalla pressione dell'ultimo tasto ripristina il valore visualizzato prima della pressione del tasto SET V.

La digitazione di un valore di tensione oltre i limiti massimi (compreso il tentativo di digitazione di 3 cifre prima del punto decimale) o il tentativo di digitare più di 5 cifre attiva due volte il cicalino e fa sì che venga ignorato l'ultimo tasto premuto.

La tensione può essere impostata anche tramite la manopola di variazione graduale. Premendo JOG SET V si illumina il tasto V e lampeggia il segnalatore JOG sotto l'ultima cifra modificata. Mentre il tasto V è illuminato, le successive pressioni dello stesso spostano il segnalatore JOG verso sinistra di una posizione per volta; quando l'aumento graduale raggiunge il valore massimo impostato, la pressione successiva del tasto visualizza sul display il valore più basso. La posizione predefinita all'accensione è sotto il LSD, ovvero la selezione dell'aumento graduale più basso. L'aumento può essere selezionato in passi di 1 mV, 10 mV e 100 mV.

Quando è attiva la funzione variazione graduale, la tensione erogata può essere aumentata o diminuita con la manopola di variazione graduale, il cui passo è indicato dalla posizione del segnalatore lampeggiante JOG. Viene immediatamente erogata il valore di tensione impostato, ovvero non è necessario premere OK. Qualora venga inserita la modalità corrente costante (indicata dal lampeggio del segnalatore CI), il display a sinistra visualizza la tensione effettiva, non la tensione impostata. Qualora si selezioni V sotto JOG SET, lampeggia a velocità ridotta il segnalatore JOG sotto la cifra selezionata (lampeggio lento). Per osservare l'effetto della

variazione graduale della tensione, è necessario disinserire l'erogazione di corrente (in modo che il display visualizzi sempre la tensione impostata) o premere VIEW V/I LIMITS per visualizzare la tensione impostata per 3 secondi alla fine del movimento della manopola variazione graduale.

Si noti che nella modalità corrente costante, la tensione effettiva viene misurata e visualizzata solo fino al passo di 10 mV; la cifra per il passo 1 mV è sempre zero.

Per ulteriori dettagli sulla manopola di variazione graduale, leggere il capitolo Primo utilizzo.

Impostazione del valore max di corrente

Ad erogazione di corrente disinserita, il display a destra visualizza il valore max alla risoluzione di 1 mA (0,1 mA sulla gamma 35 V/500 mA).

La corrente può essere impostata direttamente dal tastierino numerico: premere il tasto V sotto NUMERIC SET, digitare il nuovo valore tramite i tasti numerici e confermarlo premendo OK. I principi basilari di funzionamento del tastierino numerico sono descritti nel capitolo Primo utilizzo, che deve essere letto da tutti gli utenti novizi.

Quando si preme V sotto NUMERIC SET, il display visualizza 0·000; si inserisce poi una nuova corrente (ad es. 1,234 A premendo i tasti 1, ·2, 3, 4,), che si conferma con il tasto OK. La posizione del punto decimale nel display è fissa, allo scopo di minimizzare la possibilità di digitare un valore errato. Di conseguenza, e per evitare la necessità di digitare gli zeri iniziali (ad es. 0,234 A si digita ·,2, 3, 4, OK), i numeri a sinistra del punto decimale vengono visualizzati in modo leggermente diverso a quelli a destra del punto decimale in fase di digitazione; la differenza si noterà immediatamente durante la digitazione dei valori.

Il valore minimo d'impostazione della corrente è 0·001A (0·1 mA sulla gamma 500 mA); il valore max è 3·000A, 5·000A o 500·0mA, a seconda della gamma; non è cioè possibile superare il valore max per ciascuna gamma.

La pressione di OK imposta il valore di tensione digitato e le eventuali cifre rimanenti vengono impostate su zero, ad es. 1, ·, 2, OK imposta 1,200 A; 1, OK imposta 1,000 A; la pressione di OK subito dopo SET V (mentre il display visualizza 0·000V) imposta 0,001 A.

La pressione di ESCAPE in qualsiasi momento durante l'operazione o la mancata pressione di un tasto entro 10 secondi dalla pressione dell'ultimo tasto ripristina il valore visualizzato prima della pressione del tasto SET V.

La digitazione di un valore di corrente oltre il valore max della gamma (compreso il tentativo di digitazione di 2 cifre prima della virgola decimale) o il tentativo di digitare più di 4 cifre attiva due volte il cicalino e fa sì che venga ignorato l'ultimo tasto premuto.

Il limite di corrente può essere impostato anche tramite la manopola di variazione graduale. Premendo JOG SET V si illumina il tasto V e lampeggia il segnalatore JOG sotto l'ultima cifra modificata. Mentre il tasto V è illuminato, le successive pressioni dello stesso spostano il segnalatore JOG verso sinistra di una posizione per volta; quando l'aumento graduale raggiunge il valore massimo impostato, la pressione successiva del tasto visualizza sul display il valore più basso. La posizione predefinita all'accensione è sotto il LSD, ovvero la selezione dell'aumento graduale più basso. L'aumento può essere selezionato in passi di 1mA, 10mA e 100 mA (0·1 mA, 1mA e 10mA sulla gamma 35V/500 mA).

Quando è attiva la funzione variazione graduale, il limite di corrente può essere aumentato o diminuito con la manopola di variazione graduale, il cui passo è indicato dalla posizione del segnalatore lampeggiante JOG. Viene immediatamente erogata il valore di tensione impostato, ovvero non è necessario premere OK. Qualora venga inserita la modalità corrente costante (indicata dal lampeggio del segnalatore CI), il display a destra visualizza la corrente effettiva, non il limite di corrente (ad eccezione della modalità corrente costante). Qualora si selezioni V sotto JOG SET, lampeggia a velocità ridotta il segnalatore JOG sotto la cifra selezionata (lampeggio lento). Per osservare l'effetto della variazione graduale del limite di corrente, è necessario disinserire l'erogazione di corrente (in modo che il display visualizzi sempre il limite di corrente) o premere VIEW V/I LIMITS per visualizzare il limite di corrente impostato per 3 secondi alla fine del movimento della manopola di variazione graduale.

Erogazione immediata della corrente

Il valore max della corrente può essere impostato in modo da limitare la corrente erogata fino a 1 mA (0.1 mA sulla gamma 500mA). Tuttavia, in comune con gli alimentatori da banco di precisione, viene collegato all'uscita un condensatore destinato ad assicurare la stabilità e la risposta ottimale ai transistori. Questo condensatore si carica alla tensione erogata e la cortocircuitazione dell'uscita genera un impulso di corrente durante la scarica del condensatore, che è indipendente dal valore max di corrente impostato.

Selezione della gamma

Lo strumento offre tre gamme di esercizio: 35 V/3 A, 15 V/5 A e 35 V/500 mA. La gamma selezionata viene indicata dal segnalatore luminoso sotto la rispettiva dicitura nel lato destro dello strumento; quando si seleziona la gamma 35 V/500 mA, il segnalatore visualizza la dicitura mA per indicare che il contatore di corrente registra i valori in milliampere e non in ampere.

Per cambiare la gamma di valori, premere SHIFT, poi ◀ RANGE o RANGE ▶ ; ogni volta che si preme ◀ RANGE, viene selezionata la gamma successiva a sinistra; ogni volta che si preme RANGE ▶ viene selezionata la gamma successiva a destra; non è disponibile la funzione di richiamo automatico del valore min. Quando si cambia la gamma, il segnalatore che rappresenta la nuova gamma e il tasto OK lampeggiano; premendo OK si conferma l'impostazione della nuova gamma. Per uscire senza cambiare la gamma, premere ESCAPE. Premendo un tasto qualsiasi nella modalità variazione gamma attiva due volte il cicalino; questa è l'unica segnalazione a disposizione. Se non si preme il tasto OK entro 10 secondi dall'ultima variazione della gamma, la gamma selezionata rimane invariata.

La gamma può essere cambiata soltanto ad erogazione di corrente disinserita. Premendo i tasti ◀ RANGE o RANGE ▶ ad erogazione inserita si provoca il lampeggio del tasto ON/OFF dell'erogazione di corrente (nonché del tasto OK). L'erogazione di corrente può essere disinserita con il tasto ON/OFF, mentre la gamma può essere cambiata premendo OK oppure premendo direttamente OK, nel cui caso lo strumento disinserisce automaticamente l'erogazione di corrente, poi cambia la gamma.

Qualora una gamma provochi il superamento del valore max di tensione o di corrente previsto per la nuova gamma, la gamma selezionata viene accettata, ma il valore viene impostato su quello massimo previsto per la nuova gamma.

Si noti che il valore imposto per l'OVP non cambia quando si cambia la gamma (ad es. l'impostazione dell'OVP su 38 V rimane valida sulla gamma 15 V); è compito dell'utente cambiarlo.

Collegamento agli utilizzatori

Collegare gli utilizzatori ai morsetti contrassegnati OUTPUT positivo (rosso) e negativo (nero). Entrambi sono morsetti ad erogazione variabile e possono essere collegati alla messa a terra.

Rilevamento remoto

Lo strumento è caratterizzato da una bassissima impedenza di uscita, che è però destinata ad aumentare a causa della resistenza dei cavi di collegamento. In presenza di correnti elevate, si possono verificare differenze sostanziali tra la tensione di alimentazione indicata e la tensione effettivamente erogata (ad esempio, due cavi di collegamento da 20 mΩ provoca un calo di 0,2 V a 5 Ampere). Il problema può essere minimizzato utilizzando cavi di collegamento corti e grossi ma, se necessario, può essere eliminato completamente mediante l'utilizzo della funzione di rilevamento remoto.

Questa funzione prevede il collegamento dei morsetti all'uscita dell'utilizzatore anziché alla fonte di alimentazione; inserire i fili nei morsetti a molla REMOTE SENSE (rilevamento remoto) e collegarli direttamente all'utilizzatore.

Selezionare la funzione remote sense premendo SHIFT, SENSE; lampeggia il tasto OK e si accende la spia sopra i morsetti remote sense per indicare che sarà inserita la funzione remote sense alla pressione del tasto OK. Premere OK per confermare; premere ESCAPE per uscire senza cambiare la modalità di funzionamento. La funzione REMOTE SENSE viene disinserita premendo di nuovo SHIFT, SENSE; lampeggia il tasto OK e si accende la spia REMOTE SENSE

per indicare che saranno reinseriti i sensori locali alla pressione del tasto OK. Premere OK per confermare; premere ESCAPE per uscire senza cambiare la modalità di funzionamento.

Onde evitare problemi di instabilità e l'insorgere di transitori, avere l'accortezza di fissare saldamente tutti i cavi dei sensori alle rispettive uscite. A tal fine, intrecciare i cavi o utilizzare un cavo coassiale schermato (funzione di rilevamento eseguita dall'anima interna). Può anche essere utile ricorrere a un condensatore elettrolitico attraverso l'attacco dell'utilizzatore.

Il calo di tensione su ciascun cavo di uscita non deve superare 0,5 Volt.

Il XDL 35-5TP è dotato di un'uscita sul pannello posteriore e di morsetti di rilevamento, particolarmente utili quando lo strumento viene montato in un rack. I morsetti di rilevamento sul pannello posteriore devono essere sempre utilizzati con i collegamenti di uscita sul pannello posteriore.

Protezione magnetotermica rilevamento

L'erogazione di corrente viene disinserita qualora la tensione tra un morsetto di uscita e il rispettivo morsetto di rilevamento superi all'incirca 1 V circa; questo inconveniente si verifica se i fili di rilevamento sono collegati al morsetto errato dell'utilizzatore oppure qualora si cerchi di assorbire la corrente dai fili di rilevamento.

In caso di collegamento errato dei morsetti di rilevamento, appare sul display il messaggio **SENSE triP** e l'erogazione di corrente viene disinserita. Premere ESCAPE per cancellare il messaggio e visualizzare la tensione predefinita e il limite di corrente. Una volta individuata la causa dell'inserimento della protezione magnetotermica, è possibile reinserire la corrente.

Collegamento in serie o parallelo con altre uscite

Le uscite dell'alimentatore sono ad erogazione variabile e possono essere utilizzate con alimentatori destinati all'erogazione di alte tensioni c.c., fino a 300 V.

La tensione massima ammessa tra i morsetti e la messa a terra () e 300 V c.c.

ATTENZIONE! La presenza di alte tensioni può essere estremamente pericolosa; a titolo precauzionale, è buona norma schermare i morsetti di uscita destinati all'erogazione di alte tensioni. Non toccare mai i morsetti di uscita quando si utilizza l'apparecchio per erogare alte tensioni. Provvedere al collegamento dei cavi ai morsetti a corrente disinserita su tutti gli apparecchi.

Si ricorda che lo strumento può essere utilizzato soltanto per prelevare la corrente e non per abbassarla; non è quindi consentito il collegamento in serie antifase.

Lo strumento può essere collegato in parallelo con altri strumenti al fine di erogare correnti elevate. Qualora si colleghino più strumenti in parallelo, la tensione erogata corrisponderà a quella dello strumento che eroga la tensione più alta fino a quando la corrente prelevata supera il limite max di corrente, nel cui caso scenderà al valore più alto successivo e così via. Nella modalità corrente costante, gli strumenti possono essere collegati in parallelo per fornire una corrente pari alla somma dei valori massimi di corrente impostati.

Si noti che i morsetti di uscita sono impostati su un massimo di 15 A; in presenza di più uscite collegate in parallelo per erogare correnti più elevate, questo collegamento deve essere effettuato altrove, non su uno dei morsetti.

Protezione magnetotermica sovratensioni

La protezione dalle sovratensioni (OVP) può essere impostata su tensioni comprese tra 1,0 V e 40 V. Qualora la tensione erogata superi l'OVP, l'erogazione di corrente viene disinserita immediatamente (di norma, entro 100 µs), onde evitare di danneggiare il circuito da verificare. Il circuito OVP protegge lo strumento dall'impostazione di tensioni eccessive dal pannello anteriore o attraverso le interfacce remote, dalle tensioni esterne stampigliate sui morsetti di uscita o dai guasti dei circuiti di controllo dello strumento stesso.

Per impostare l'OVP, premere SHIFT, OVP; comincia a lampeggiare il segnalatore JOG in passi di 100 mV; ruotare la manopola di variazione graduale per aumentare/diminuire il valore OVP impostato in passi di 100 mV. Premere OK per confermare il nuovo valore impostato; per uscire senza digitare un nuovo valore, premere ESCAPE. L'impostazione di fabbrica è 40,0 V.

Qualora intervenga la protezione magnetotermica dell'OVP, appare sul display il messaggio **OVP trip** e l'erogazione di corrente viene disinserita. Premere ESCAPE per cancellare il messaggio dal display e visualizzare i valori valore max di tensione e corrente predefiniti. Una volta individuata ed eliminata la causa dell'intervento della protezione magnetotermica dell'OVP (oppure una volta cambiato il valore max per l'OVP), è possibile reinserire l'erogazione di corrente.

Si noti che il valore impostato per l'OVP non viene cambiato quando si cambia la gamma (ad es. il valore di 38 V impostato per l'OVP rimane valido sulla gamma 15 V); è compito dell'operatore cambiarlo.

Si noti che è anche possibile impostare l'OVP su un valore inferiore alla tensione predefinita. Qualora l'alimentatore funzioni nella modalità corrente costante, la tensione erogata sarà inferiore al valore impostato; l'OVP può essere impostato su un valore superiore alla tensione effettivamente erogata ma inferiore a quella impostata al fine di disinserire l'erogazione di corrente in caso di guasto provocato dall'aumento dell'impedenza del carico e conseguente aumento della tensione erogata oltre il valore impostato per l'OVP.

Protezione magnetotermica sovracorrenti

La protezione delle sovracorrenti (OCP) può essere impostata su valori compresi tra 0,01 A a 5,5 A. Se la corrente erogata supera il valore impostato per l'OCP, l'erogazione della corrente viene disinserita (in genere, entro 35 ms).

Per impostare la OCP, premere SHIFT, OCP; comincia a lampeggiare il segnalatore JOG in passi di 10 mA ed è possibile ruotare la manopola di variazione graduale per aumentare/diminuire il valore impostato per l'OCP in passi di 10 mA. Premere OK per confermare il nuovo valore; per uscire senza digitare un nuovo valore, premere ESCAPE. L'impostazione di fabbrica è 5·50A.

In caso di intervento dell'OCP, appare sul display il messaggio **OCP trip** e viene disinserita l'erogazione di corrente. Premere ESCAPE per cancellare il messaggio e visualizzare i valori max di tensione e corrente predefiniti. Una volta individuata ed eliminata la causa dell'intervento dell'OVP (oppure una volta cambiato il valore max per l'OVP), è possibile reinserire l'erogazione di corrente.

Si noti che il valore impostato per l'OVP non viene cambiato quando si cambia la gamma di esercizio.

Si noti inoltre che è possibile impostare l'OCP su un valore inferiore al valore max di corrente. Ad esempio, l'alimentatore può essere utilizzato per verificare ripetutamente un apparecchio (UUT) che, a titolo esemplificativo, può assorbire una corrente massima di 2 ampere. In caso di guasto dell'UUT, quest'ultimo assorbirebbe una corrente superiore ai 2 ampere e subirebbe danni qualora l'alimentazione di corrente max erogata rimanga su 2 ampere. In questo caso, il valore max di corrente può essere impostato su 2·1 A, ad esempio, e l'OCP potrebbe essere impostato su 2·0 A per assicurare la disinserizione dell'erogazione di corrente all'UUT difettoso.

Protezione uscita

Oltre alle protezioni dalla sovratensione OVP e sovracorrente OCP, l'apparecchio è dotato di un diodo destinato a proteggere l'uscita dalle tensioni inverse; la corrente inversa costante non deve superare i 3 ampere, anche se i transistori possono essere molto più alti.

Tensione erogata (V x A)

Quando si preme SHIFT, V x A, il display tensione visualizza il risultato del prodotto fra la tensione e la corrente erogate mentre il display corrente visualizza la scritta **UA**. V x A è una funzione temporanea, ovvero visualizza la tensione erogata solo per un breve periodo di tempo; il valore visualizzato rimane sullo schermo mentre è premuto il tasto. Premendo V x A si annulla la funzione SHIFT. Durante la visualizzazione del valore V x A, la funzione variazione graduale viene disattivata (e i segnalatori luminosi JOG vengono spenti).

Protezione magnetotermica sovratemperature

Qualora venga superato il valore max ammesso per la temperatura interna, ad esempio in caso di ostruzione delle ventole, l'erogazione di corrente viene disinserita e il display visualizza il messaggio **OTP triP**. Premendo ESCAPE viene eseguita una delle due operazioni indicate qui di seguito:

- i. Se la causa della sovratemperatura è già stata eliminata, il messaggio viene cancellato e il display visualizza i valori di tensione e corrente predefiniti. Purché sia stata eliminata la causa della sovratemperatura, è possibile reinserire l'erogazione.
- ii. Se l'apparecchio supera ancora il limite di temperatura di sicurezza, lampeggia a cadenza rallentata la scritta **OTP triP** fino a quando l'apparecchio si raffredda; a questo punto vengono visualizzati di nuovo sul display i valori di tensione e corrente predefiniti. Purché sia stata eliminata la causa della sovratemperatura, è possibile reinserire l'erogazione di corrente.

Uscita allarmi

Il connettore a 2 pin montato ad incasso sul pannello posteriore è collegato direttamente a un transistor di commutazione NPN collegato otticamente (pin 1 emettitore, pin 2 collettore) che viene inserito (ovvero 'chiude' l'interruttore) quando si verificano le condizioni indicate nella sezione Funzioni supplementari, più avanti. La condizione predefinita è la chiusura dell'interruttore per tutte le condizioni che provocano l'intervento dell'allarme (OVP, OCP, SENSE o OTP). La tensione massima erogata all'interruttore è 30 V c.c. e la corrente minima per la chiusura dell'interruttore è 1 mA.

Memorizzazione dei valori impostati

Lo strumento può memorizzare 10 configurazioni per uscita nella memoria non volatile a corredo dello strumento; i parametri sono: la gamma, la tensione, il limite di corrente, l'OVP e l'OCP. L'apparecchio non memorizza i valori relativi allo stato dell'uscita e al rilevatore remoto.

Per memorizzare i valori, premere SHIFT, STORE (memoria), il n. della memoria, OK; il numero della memoria è uno dei tasti da 0 a 9.

Una volta premuti di tasti SHIFT, STORE, appare sul display la scritta **Store -** ; la funzione SHIFT viene annullata (si spegne la spia). La pressione di un tasto numerico comporta la visualizzazione del numero digitato al posto del simbolo **-** seguito dalla lettera **E** (memoria vuota) o **F** (memoria piena),

ad es. **Store 1.E**, **Store 2.F** . È possibile verificare la disponibilità delle memorie premendo consecutivamente i tasti numerici (ovvero senza premere ogni volta SHIFT, STORE) prima di confermare la selezione con il tasto OK. È possibile sovrascrivere una memoria piena con i nuovi valori impostati oppure uscire dalla funzione di memorizzazione in qualsiasi momento senza salvare i valori premendo ESCAPE o aspettando 10 secondi dalla digitazione dell'ultimo valore.

Cancellazione dei valori memorizzati

È possibile svuotare tutte le memorie osservando le seguenti istruzioni: selezionare la memoria premendo SHIFT, STORE e il numero della memoria, poi premere **•** . Appare sul display la scritta **dELEt** al posto di **Store** , ad es. **dELEt 2.F** ; premere OK per svuotare il contenuto della memoria.

Richiamo dei valori memorizzati

Per richiamare un valore impostato, premere SHIFT, RECALL (richiamo), numero della memoria, OK; il numero della memoria può essere richiamato premendo uno dei tasti da 0 a 9. Una volta premuti i tasti SHIFT, RECALL, appare sul display la scritta **rECAL -** ; la funzione SHIFT viene annullata (si spegne la spia). Premere un tasto da 0 a 9 per visualizzare i valori di tensione e di corrente impostati per la memoria selezionata; i valori impostati lampeggiano sul display per indicare la selezione della modalità di visualizzazione.

È possibile visualizzare il contenuto delle memorie premendo consecutivamente i tasti numerici (ovvero senza dover premere ogni volta SHIFT, RECALL) prima di confermare la selezione con il tasto OK. Le memorie vuote sono indicate dal lampeggio del simbolo – per ogni tasto numerico digitato. Prima di confermare l'operazione con il tasto OK, è possibile uscire dalla funzione Richiamo senza richiamare nessun valore impostato premendo ESCAPE o aspettando 10 secondi dalla digitazione dell'ultimo valore.

I valori impostati possono essere richiamati ad erogazione di corrente inserita o disinserita. Tuttavia, se il richiamo di un valore comporta la modifica della gamma di esercizio, l'erogazione di corrente viene disinserita onde evitare che vi verificino impulsi spuri. Una volta premuto i tasti SHIFT, RECALL e il numero della memoria, comincia a lampeggiare il tasto ON/OFF (unitamente al tasto OK) qualora il richiamo dei valori comporti la modifica della gamma di esercizio. L'erogazione di corrente può essere disinserita con il tasto ON/OFF e la funzione di richiamo può essere completata premendo OK oppure è possibile premere direttamente OK, nel cui caso l'erogazione di corrente viene disinserita automaticamente e viene successivamente eseguita l'operazione di richiamo.

Funzioni supplementari

Le variazioni di alcune delle funzioni predefinite in fabbrica possono essere impostate dall'utente tramite le funzioni supplementari #. Per apportare modifiche a tutte le funzioni disponibili, elencate qui di seguito, premere SHIFT, #, nn, dove nn è il numero a 2 cifre indicato nell'elenco qui sotto; il display visualizza la scritta **HASH No. _** dopo SHIFT, # e viene attivato un cicalino di conferma una volta digitato il numero a 2 cifre. Come già accennato nel paragrafo iniziale della presente sezione, le funzioni # possono essere impostate separatamente (possono cioè essere diverse) per ciascuna uscita principale; si fa però presente che le funzioni #02, #03 e #21 che interessano l'uscita ausiliaria (Auxiliary Output) possono essere impostate soltanto quando ◀ CONTROL ▶ viene attribuito all'Uscita 1.

Codice Funzione

- | | |
|----|---|
| 00 | Uscita principale sempre disinserita all'accensione (predefinita in fabbrica) |
| 01 | La condizione dell'uscita principale all'accensione è identica a quella dell'ultimo spegnimento. |
| 02 | L'uscita ausiliaria è sempre disinserita all'accensione (predefinita in fabbrica). Il controllo di questa funzione viene attribuito all'uscita 1. |
| 03 | La condizione dell'uscita ausiliaria all'accensione è identica a quello dell'ultimo spegnimento. Il controllo di questa funzione viene attribuito all'uscita 1. |
| 20 | Uscita per l'allarme 'aperta' per l'uscita principale disinserita, 'chiusa' per l'uscita principale inserita. |
| 21 | Uscita per l'allarme 'chiusa' quando l'uscita ausiliaria si trova entro il valore max di corrente. Il controllo di questa funzione viene attribuito all'Uscita 1; interessa soltanto l'allarme per l'Uscita 1. |
| 22 | Uscita allarme 'chiusa' quando interviene la protezione sovratemperature |
| 23 | Uscita allarme 'chiusa' quando interviene la protezione guasto rilevatore |
| 24 | Uscita allarme 'chiusa' quando interviene la protezione sovracorrente |
| 25 | Uscita allarme 'chiusa' quando interviene la protezione sovratensioni |
| 26 | Uscita allarme 'chiusa' quando interviene una protezione (impostazione iniziale) |
| 30 | Disattivazione cicalino |
| 31 | Inserimento cicalino (impostazione iniziale). L'emissione di un singolo segnale acustico indica la conferma dell'operazione, l'emissione di due segnali acustici indica la digitazione di un dato errato. |

- 40 Lampeggia il valore variazione graduale, il segnalatore JOG lampeggia solo quando è 'nascosto'
- 41 Il segnalatore JOG lampeggia sempre, eccetto quando è 'nascosto' (impostazione iniziale)
- 42 Il segnalatore JOG non lampeggia, se non quando è 'nascosto' (lampeggio a cadenza lunga)
- 91 Carica i parametri di taratura predefiniti. Si rimanda alla lettura del Manuale di manutenzione
- 92 Visualizza il numero della versione del firmware nel display
- 93 Imposta questi valori # sul valore impostato inizialmente
- 99 Consente di accedere alla modalità di taratura. Vedi il manuale di manutenzione.

Impostazioni di fabbrica

Le impostazioni di fabbrica (adottate alla prima accensione dello strumento) sono:

| | |
|---------------------|---|
| Gamma: | 35 V/3 A |
| Tensione: | 1,000 V |
| Limite di corrente: | 1,000 A |
| OVP: | 40 V |
| OCP: | 5,5 A |
| Uscita: | Erogazione disinserita; rilevatore locale |
| # Valori impostati: | 00 Uscita principale sempre disinserita all'accensione |
| | 02 Uscita ausiliaria sempre disinserita all'accensione (solo per l'Uscita 1 #). |
| | 26 Uscita allarme 'chiusa' quando interviene una protezione |
| | 31 Inserimento cicalino |
| | 41 Lampeggio costante del segnalatore JOG; lampeggio lento quando è nascosto |
| RS232: | 9.600 Baud (solo per il XDL 35-5TP) |
| Indirizzo: | 11 (solo per il XDL 35-5TP) |

Messaggi di errore

I seguenti errori hardware vengono segnalati dalla comparsa del rispettivo numero di errore sul display. Il tasto OK lampeggia e, qualora venga premuto, l'errore viene ignorato e l'apparecchio continuerà a funzionare regolarmente.

| N. errore | Descrizione dell'errore | Dopo la pressione del tasto OK |
|-----------|---|--|
| 1 | Costanti di taratura alterate all'accensione | Carica i parametri di taratura predefiniti |
| 2 | # funzioni alterate all'accensione | Carica i valori impostati # predefiniti |
| 3 | Errato caricamento dei valori di spegnimento impostati in occasione dell'accensione | Carica i valori d'accensione impostati in fabbrica |

Lo spegnimento dello strumento con l'errore di messaggio visualizzato non cambia i valori impostati.

Uscite principali – Modalità Link

Nella modalità Link, che viene selezionata premendo il tasto LINK, i parametri più importanti delle due uscite principali vengono impostati contemporaneamente; quando viene selezionata la modalità Link, entrambi i tasti ◀ CONTROL ▶ (1 e 2) si illuminano per indicare che sono state selezionate entrambe le uscite.

I paragrafi che seguono descrivono soltanto le differenze tra il funzionamento indipendente e collegato e devono essere letti unitamente ai paragrafi corrispondenti nella sezione Uscite principali.

Funzionamento nella modalità collegata

Il controllo delle due uscite principali può essere "collegato" in modo che le modifiche vengano adottate per entrambe le uscite contemporaneamente. Questa funzione è utile per diversi motivi, indicati qui di seguito:

1. Collegamento in serie o parallelo

Volendo, l'utente può raddoppiare il valore max di tensione o di corrente per un'uscita; vedi la sezione Collegamento in serie o parallelo con altre uscite, a pagina 118. La modalità collegata agevola sensibilmente il controllo delle due uscite quando queste sono collegate in serie o in parallelo.

2. Aggancio tensioni (o correnti)

Quando lo strumento funziona nella modalità collegata, agendo sul tasto Numeric Set è possibile impostare le medesime tensioni e/o correnti sulle due uscite. Il controllo delle uscite può essere collegato anche se le tensioni e/o correnti impostate sulle uscite sono diverse. L'uso del comando Jog consente di apportare le medesime modifiche alle due uscite.

3. Richiamo simultaneo delle impostazioni memorizzate

Ciascuna uscita è corredata di serie di 10 memorie. Tuttavia, nella modalità di funzionamento collegata, sono disponibili altre 10 memorie, dove si possono memorizzare valori per entrambe le uscite. Le tensioni e le correnti possono essere impostate separatamente per ciascuna uscita e il controllo può essere inserito nella modalità collegata prima di memorizzare le impostazioni. È anche possibile richiamare contemporaneamente le impostazioni memorizzate per entrambe le uscite.

Nota:

Le impostazioni memorizzate per l'uscita 1 possono essere duplicate sull'uscita 2 tramite la funzione Copy prima o dopo il collegamento dei due strumenti.

Nella modalità di funzionamento collegata, le funzioni di controllo a disposizione sono le seguenti: Set Range, Set Volts e Set Current (Numeric Set e Jog set), nonché Store e Recall. Le funzioni OVP, OCP e Sense non possono essere modificate nella modalità collegata.

L'inserimento/disinserimento per entrambe le uscite viene eseguito separatamente nella modalità collegata. Per inserire o disinserire le uscite contemporaneamente, occorre agire sui pulsanti Multi-Output Control (controllo multi-uscita), che funzionano indipendentemente dalla modalità collegata.

Selezione della modalità Link

Il solo vincolo che interessa la selezione della modalità Link consiste nel fatto che entrambe le uscite principali devono già essere impostate sul medesimo campo di valori (Range); in particolare, le uscite possono essere collegate anche se i valori max impostati per la tensione e la corrente sono diversi. La pressione del tasto LINK quando si impostano campi di valori diversi attiva due volte il cicalino e comporta il lampeggio per 2 secondi della spia Range dell'uscita non selezionata in precedenza.

La selezione della modalità Link annulla l'eventuale selezione di Jog su una delle due uscite principali.

Impostazione del valore max di tensione e di corrente

L'impostazione del valore max della tensione e della corrente erogata tramite la digitazione di valori numerici o il comando Jog è essenzialmente identica a quello per le uscite nella modalità indipendente. La digitazione dei valori numerici imposta le due uscite sullo stesso nuovo valore limite impostato per la tensione e la corrente, a prescindere dai valori impostati in occasione del collegamento delle due uscite. Si fa presente che può esserci una differenza temporale finita tra le modifiche apportate alle due uscite, anche se il valore iniziale è identico; in genere, questa differenza temporale non dovrebbe superare i 40 ms (80 ms max). Se però i due valori impostati erano diversi in occasione del collegamento delle uscite, la modifica del valore della tensione o della corrente mediante il comando Jog fa sì che la differenza di valore tra le due uscite venga mantenuta costante mediante l'incremento/il decremento del valore di ciascuna uscita del medesimo valore, ovvero la differenza tra le due uscite rimane sempre costante. Questa differenza costante viene mantenuta fino a quando una delle due uscite raggiunge il valore limite del campo di valori impostato; i successivi incrementi o decrementi provocano l'attivazione del cicalino per l'uscita interessata (che rimane però sempre sul medesimo valore limite), mentre l'uscita i cui valori sono ancora compresi nel campo impostato continua a cambiare, ovvero la differenza di valore tra le due uscite non sarà più costante, ma i valori si avvicineranno sempre di più ad ogni successivo incremento o decremento. Se l'incremento/decremento viene invertito, la nuova differenza (minore) tra i valori delle uscite viene mantenuta fino a quando una delle due uscite raggiunge il valore max del campo di valori nella direzione opposta.

Qualora si esca dalla modalità Link durante la selezione della modalità Jog, quest'ultima continua ad essere attiva sull'uscita selezionata.

Funzioni di memorizzazione e richiamo

Nella modalità Link, sono disponibili altre 10 memorie non volatili, che non sono correlate alle 10 memorie a disposizione per le singole uscite nella modalità funzionamento indipendente. I parametri memorizzati sono: Range (Gamma), Voltage (Tensione), Current Limit (Valore max corrente), OVP (punto di intervento termica sovratensione) e OCP (punto di intervento termica sovracorrente). Il funzionamento nella modalità Link è identico a quello descritto nei paragrafi Memorizzazione, Richiamo ed Eliminazione della sezione Uscite principali; i messaggi sul display descritti in queste sezioni compaiono su entrambi i display quando si seleziona la modalità Link.

OVP, OCP e Rilevamento

I valori per OVP, OCP e Sense (rilevamento) possono essere impostati soltanto quando si seleziona separatamente uno dei due canali. I valori impostati vengono mantenuti mentre è selezionata la modalità Link; i valori per OVP ed OCP possono essere memorizzati durante la configurazione della modalità Link, ma non il valore Sense. Qualora si cerchi di cambiare i valori OVP, OCP o Sense nella modalità di funzionamento Link, sul display dell'uscita 1 lampeggia la scritta **SELCt 1or2** per segnalare all'utente che i parametri devono essere impostati separatamente per ciascun canale. Premere ESCAPE per annullare questa funzione, attribuire il controllo al canale interessato mediante i tasti ◀ CONTROL ▶ 1 o 2 e impostare i valori OVP, OCP, o Sense osservando le istruzioni fornite per le singole uscite.

Alimentazione erogata

Premendo SHIFT, V x A viene visualizzata contemporaneamente su entrambi i display l'alimentazione erogata da entrambe le uscite ((V x A nel display destinato alla tensione, **UA** nel display destinato alla corrente) esattamente come nel funzionamento indipendente.

Funzioni supplementari

Le funzioni # descritte nel paragrafo Funzioni supplementari della sezione Uscita principale possono essere impostate solo quando lo strumento funziona nella modalità Link; entrambi i display visualizzano la scritta **HASH No. _** dopo la pressione di SHIFT, #. Tutte le funzioni # impostate in questo modo sono naturalmente identiche per entrambe le uscite. Tuttavia, le funzioni # possono essere diverse per ciascuna uscita se le uscite vengono impostate separatamente durante il funzionamento nella modalità indipendente e la selezione delle funzioni viene mantenuta per ciascuna uscita, anche quando le uscite si trovano nella modalità Link.

Tipo di bus e Indirizzo/Velocità di trasmissione

Le funzioni Bus Type, Address e Baud Rate possono essere selezionate quando il controllo viene attribuito all'uscita 2. Il display dell'uscita 2 è destinato a visualizzare i parametri impostati, esattamente come per il funzionamento indipendente. Qualora non si impostino questi parametri nella modalità Link, o con l'uscita 1 selezionata, lampeggia sul display dell'uscita 1 il seguente messaggio: **SELCT P.U. _2**, che invita l'utente a selezionare l'uscita 2. Premere Escape per eliminare il prompt sul display (o attendere fino alla scadenza del tempo a disposizione), poi selezionare l'uscita 2.

Uscite principali – Funzione di copiatura

Le configurazioni più importanti per l'uscita 1 possono essere copiate sull'uscita 2 mediante la funzione Copy, a prescindere dalla modalità ◀ CONTROL ▶ (1, 2 o LINK) attualmente selezionata. I parametri che vengono copiati sono: Range, Voltage, Current Limit, OVP e OCP; non vengono copiate invece le condizioni delle funzioni Sense, ON/OFF, Jog e il contenuto della memoria Store.

Premendo SHIFT, COPY 1>2 lampeggiano sul display dell'uscita Output 2 i valori impostati per Voltage, Current e Range dell'uscita 1; lampeggia anche il tasto OK. Premere OK per confermare e selezionare la funzione Copy; premere ESCAPE per annullare l'operazione.

Qualora la funzione Copy comporti la modifica di un valore della gamma impostata per l'uscita Output 2, e quest'ultima sia predisposta su ON, lampeggia anche il tasto ON/OFF dell'uscita 2 e l'uscita viene disinserita (OFF) quando si agisce sul tasto OK; l'uscita può essere disinserita anche agendo direttamente sul relativo tasto ON/OFF prima di premere OK.

Uscita ausiliaria

L'uscita AUXILIARY eroga fino a 1 Ampere alle tensioni di 2,7 V, 3,3 V o 5,0 V. La tensione erogata viene impostata agendo sull'interruttore posto sul pannello anteriore, mentre il valore max di corrente viene fissato su ≥ 1 Ampere. I morsetti di uscita sono presenti anche sul pannello posteriore (senza viti) e sono destinati al montaggio del generatore su rack; non è disponibile la funzione di rilevamento remoto. L'uscita viene inserita e disinserita elettronicamente dal pannello anteriore o tramite telecomando; questa è la sola funzione selezionabile mediante telecomando su questa uscita. Il valore max di corrente viene indicato quando la tensione erogata scende di $\sim 100\text{mV}$; a questo punto, l'uscita assorbe 1,5 ampere e mantiene questa corrente mentre l'impedenza di carico provoca un cortocircuito. Se il cortocircuito permane, l'uscita viene eventualmente disinserita per sovratemperatura.

Funzionamento remoto (solo per il XDL 35-5TP)

Lo strumento può essere azionato a distanza mediante le interfacce RS232 o GPIB. Con l'interfaccia RS232, lo strumento può essere collegato singolarmente al controller oppure può far parte di una catena RS232 indirizzabile, che permette il collegamento di 32 strumenti attraverso una singola porta RS232.

La porta USB funziona all'interno dell'apparecchio tramite la porta RS232. L'azionamento remoto dell'apparecchio tramite la porta USB funziona esattamente come per una porta RS232 per singoli strumenti utilizzando però il connettore USB. Lo strumento funziona alla velocità di trasmissione massima (19200) nella modalità USB. La porta virtuale COM sul computer di controllo, che viene impostata tramite il software driver in dotazione, deve essere impostata sulla medesima velocità di trasmissione. È possibile utilizzare il software dell'applicativo sul computer come se fosse collegato tramite un connettore RS232. La porta USB non può però essere utilizzata in una catena RS232 indirizzabile.

Alcune delle sezioni seguenti riportano informazioni di carattere generale ed interessano tutte e tre le modalità disponibili (RS232 per strumento singolo, USB, catena RS232 indirizzabile e GPIB); altre interessano espressamente solo un'interfaccia o una modalità specifica. Leggere le sezioni generali unitamente a quelle che interessano espressamente la modalità di gestione remota in uso.

Il formato dei comandi a distanza e i comandi stessi sono riportati in dettaglio nel capitolo Comandi remoti.

Selezione del bus di controllo, dell'indirizzo dello strumento e della velocità di trasmissione

Per assicurare il debito funzionamento remoto, ciascuno degli strumenti collegati al bus GPIB o alla catena RS232 indirizzabile deve avere un indirizzo individuale univoco e, nel caso di RS232 indirizzabile, tutti gli strumenti devono adottare la medesima velocità di trasmissione.

Per cambiare le impostazioni delle interfacce, occorre prima impostare la modalità ◀ CONTROL ▶ su 2 (ovvero selezionare soltanto l'uscita 2).

Premere SHIFT, Bus Type per visualizzare il tipo di bus attualmente selezionato. Per cambiarlo, visualizzare tutti i tipi disponibili ruotando la manopola sullo strumento fino a quando compare il tipo desiderato. Premere OK per selezionare il tipo visualizzato o ESCAPE per lasciare inalterato il tipo precedente.

Premere SHIFT, Addr/Baud per visualizzare l'indirizzo del bus dell'apparecchio attualmente selezionato. Qualora il tipo di bus attualmente selezionato sia RS232, premere di nuovo Addr/Baud per visualizzare la velocità di trasmissione (Baud rate) attualmente selezionata; le ulteriori pressioni del tasto alternano la visualizzazione dei due dati. Per cambiare l'indirizzo, visualizzare tutti gli indirizzi a disposizione ruotando la manopola sullo strumento fino a quando appare l'indirizzo desiderato. L'indirizzo, che può essere impostato su un valore compreso tra 1 e 31, viene anche utilizzato sia per il GPIB che per l'RS232 indirizzabile il valore impostato per l'indirizzo viene ignorato nella modalità USB. Per cambiare la velocità di trasmissione, visualizzare le velocità a disposizione ruotando la manopola sullo strumento fino a quando appare la velocità desiderata. Premere OK per selezionare l'ultimo indirizzo o l'ultima velocità di trasmissione visualizzati oppure premere ESCAPE per lasciare inalterate i valori selezionati in precedenza. Si ricorda che occorre selezionare il tipo RS232 prima di selezionare la velocità di trasmissione; la velocità di trasmissione viene impostata sul valore massimo (19200) per la modalità USB.

Funzionamento remoto/locale

All'accensione, lo strumento è nella modalità locale, con la spia REMOTE spenta. In questa modalità, sono possibili tutte le operazioni effettuate tramite tastiera. Quando lo strumento si trova nella modalità di ascolto e riceve un comando, viene inserita la modalità remota e si accende la spia REMOTE. In questa modalità, la tastiera è bloccata e vengono elaborati solo i comandi remoti. La modalità locale si ripristina premendo il tasto LOCAL, ma l'effetto di questa azione dura solo fino a quando lo strumento viene interpellato di nuovo o riceve un altro carattere dall'interfaccia, nei cui casi ritorna allo stato di funzionamento remoto.

Interfaccia RS232

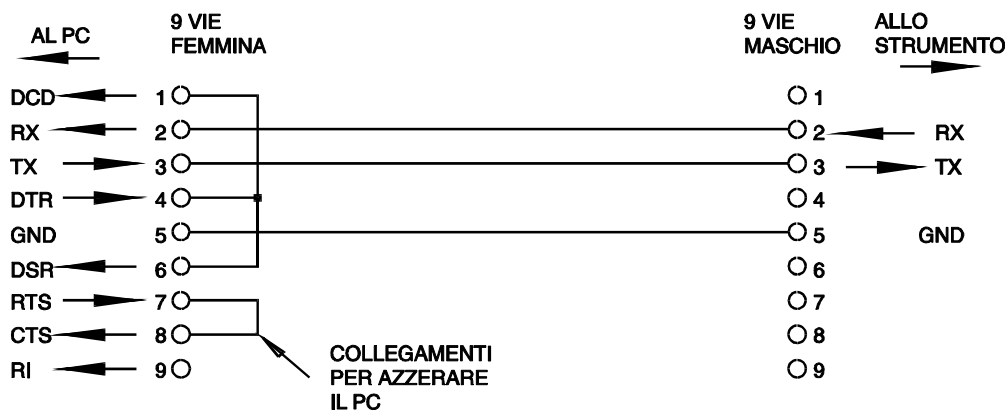
Connettore per interfaccia RS232

Il connettore a vaschetta a 9 pin per interfaccia seriale si trova sul pannello posteriore dello strumento. I collegamenti ai pin sono riportati di seguito:

| Pin | Denom. | Descrizione |
|-----|--------|---|
| 1 | - | Nessun collegamento interno |
| 2 | TXD | Dati trasmessi dallo strumento |
| 3 | RXD | Dati ricevuti dallo strumento |
| 4 | - | Nessun collegamento interno |
| 5 | GND | Terra per il segnale |
| 6 | - | Nessun collegamento interno |
| 7 | RXD2 | Dati secondari ricevuti (solo per l'RS232 indirizzabile) |
| 8 | TDX2 | Dati secondari trasmessi (solo per l'RS232 indirizzabile) |
| 9 | GND | Terra per il segnale (solo per l'RS232 indirizzabile) |

Collegamenti RS232 per un solo strumento

Per il controllo remoto di un solo strumento, è previsto il collegamento al PC dei soli pin 2, 3 e 5 ma, al fine di assicurare il funzionamento regolare, è anche previsto il collegamento al PC tra i pin 1, 4, e 6 e i pin 7 e 8, come illustra lo schema qui sotto. I pin 7 e 8 **non** devono essere collegati al PC, ovvero non è richiesto l'impiego di un connettore con tutti i 9 pin collegati.

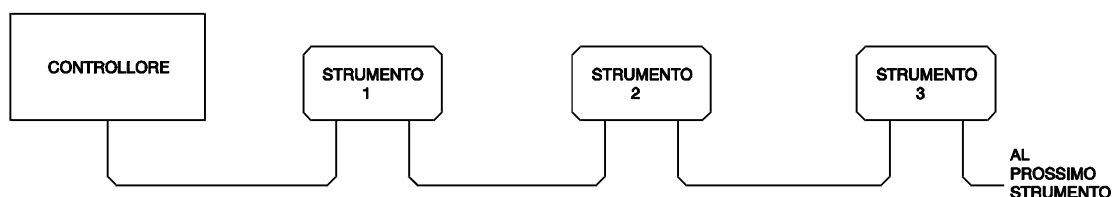


La velocità di trasmissione espressa in Baud si imposta come già descritto nella sezione Selezione dell'Indirizzo e della velocità di trasmissione; gli altri parametri sono impostati come segue:

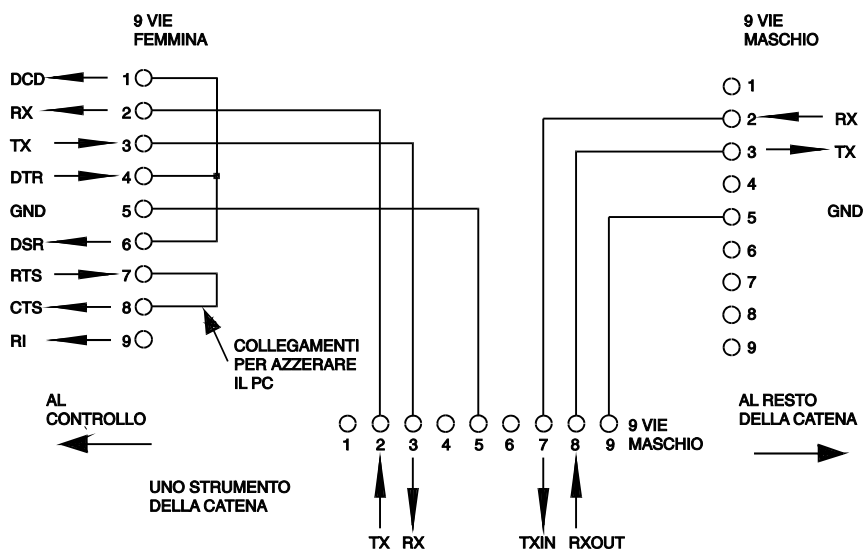
Bit di avvio: 1 Parità: Nessuna
Bit di dati: 8 Bit di stop: 1

Collegamenti per RS232 indirizzabile

Per il funzionamento con l'RS232 indirizzabile, vengono utilizzati anche i pin 7, 8 e 9 del connettore dello strumento. Utilizzando un semplice gruppo di cavi, si può formare un sistema di collegamento a 'catena di margherite' fra più strumenti, fino a un massimo di 32, illustrato qui di seguito:



la catena è costituita esclusivamente dai cavi di trasmissione dati (TDX) ricezione dati (RDX) e dalle linee di terra per i segnali; non ci sono linee di controllo/messa in comunicazione. Questo rende essenziale il protocollo XON/XOFF e permette collegare fra loro strumenti con soli 3 fili. Il cablaggio del cavo adattatore è illustrato di seguito:



Tutti gli strumenti sull'interfaccia devono essere impostati alla medesima velocità di trasmissione e devono essere accesi, altrimenti gli strumenti a valle non riceveranno dati o comandi.

Gli altri parametri sono stati impostati come segue:

| | | | |
|---------------|---|--------------|---------|
| Bit di avvio: | 1 | Parità: | Nessuna |
| Bit di dati: | 8 | Bit di stop: | 1 |

Set di caratteri RS232

Essendo necessario l'handshaking XON/OFF, è possibile trasmettere solo dati in codice ASCII; non sono consentiti dati binari. Il bit 7 del codice ASCII viene ignorato, vale a dire si presume che sia stato impostato su basso. La mnemonica dei comandi non fa distinzione fra lettere maiuscole e lettere minuscole, che possono essere mischiate. I codici ASCII al di sotto di 20H (spazio) sono riservati per il controllo dell'RS232 indirizzabile. In questo manuale 20H significa 20 nel sistema esadecimale.

Codici di controllo dell'interfaccia RS232 indirizzabile

Tutti gli strumenti destinati alla linea RS232 indirizzabile utilizzando il seguente set di controlli d'interfaccia. I codici fra 00H ed FH, qui elencati come codici senza un significato particolare, sono riservati per l'utilizzo futuro e vengono ignorati. Non è consentito mischiare i codici di controllo dell'interfaccia nei comandi dello strumento; la sola eccezione è riportata qui di seguito ed interessa i codici CR ed LF e i codici XON ed XOFF.

All'accensione, lo strumento entra automaticamente nella modalità Non-Addressable (non indirizzabile). In questa modalità, stato lo strumento non è indirizzabile e non risponde a nessun comando di richiesta ma funziona come un normale dispositivo RS232 controllabile. Si può bloccare lo strumento in questa modalità inviando il codice di controllo della modalità Lock Non-Addressable (blocca modalità non indirizzabile), 04H. Il controller e lo strumento possono ora usare liberamente tutti i codici binari di 8 bit, ma vengono ignorati tutti i codici d'interfaccia. Per tornare nella modalità indirizzabile, lo strumento deve essere spento.

Per abilitare la modalità indirizzabile dopo l'accensione dello strumento, è previsto l'invio del codice Set Addressable Mode (imposta modalità indirizzabile), 02H. Questo permette a tutti gli strumenti collegati al bus RS232 indirizzabile di rispondere a tutti i codici di controllo dell'interfaccia. Per ritornare in modalità Non Addressable, è previsto l'invio del codice di controllo Lock Non-Addressable, che disinserisce la modalità indirizzabile fino a quando gli strumenti non saranno spenti.

Prima di inviare un comando a uno strumento, deve essere inserita la modalità di ascolto, ovvero deve essere inviato il codice di controllo Listen Address (richiesta di ascolto), 12H, seguito da un solo carattere i cui cinque bit più bassi corrispondono all'indirizzo univoco dello strumento interessato, ad es. i codici A-Z o a-z generano gli indirizzi 1-26 incluso mentre @ è l'indirizzo 0 e così via. Una volta ricevuta la richiesta d'ascolto, lo strumento legge gli indirizzi ed esegue i comandi ricevuti fino a quando non viene disinserita la modalità d'ascolto.

Poiché l'interfaccia è un dispositivo asincrono, è necessario segnalare al controller che uno strumento ha accettato la sequenza della richiesta d'ascolto ed è pronto a ricevere i comandi. Il controller attende la ricezione del codice Acknowledge (conferma ricezione), 06H prima di inviare un comando. Lo strumento interessato provvede ad inviare il codice Acknowledge. Qualora il codice Acknowledge non venga ricevuto dal controller entro 5 secondi, l'operazione viene ripetuta.

La modalità d'ascolto viene annullata se lo strumento riceve uno qualunque dei seguenti codici di controllo d'interfaccia:

- 12H Listen Address seguito da un indirizzo che non appartiene a questo strumento.
- 14H Talk Address (richiesta di dialogo) per qualsiasi strumento.
- 03H Codice di controllo Universal Unaddress (annullo di tutte le richieste di dialogo).
- 04H Codice di controllo della modalità Lock Non-Addressable.
- 18H Universal Device Clear (azzeramento di tutti i dispositivi).

Prima di poter avere una risposta da uno strumento, è necessario richiedere allo stesso di parlare inviandogli il codice di controllo Talk Address, 14H, seguito da un singolo carattere i cui 5 bit più bassi corrispondono all'indirizzo univoco dello strumento interessato, come per il codice di controllo Listen address di cui sopra. Una volta invitato al dialogo, lo strumento invia l'eventuale messaggio di risposta disponibile ed esce dalla modalità richiesta di dialogo. Ogni volta che viene invitato al dialogo, lo strumento invia una risposta sola.

La modalità di dialogo viene annullata dalla ricezione di uno qualunque dei seguenti codici di controllo d'interfaccia:

- 12H Listen Address per qualsiasi strumento.
- 14H Talk Address seguito da un indirizzo che non appartiene a questo strumento.
- 03H Codice di controllo Universal Unaddress.
- 04H Codice di controllo della modalità Lock Non-Addressable.
- 18H Universal Device Clear.

La modalità di dialogo viene annullata anche quando lo strumento ha completato l'invio di un messaggio di risposta e non ha più dati da comunicare.

Il codice d'interfaccia 0AL (LF) è il segnale universale finale per i comandi e risposte; deve essere l'ultimo codice inviato in ogni comando ed è l'ultimo codice inviato in tutte le risposte.

Si può usare il codice d'interfaccia 0DH (CR) per agevolare la formattazione dei comandi; viene ignorato da tutti gli strumenti. La maggior parte degli strumenti termina la risposta con CR seguito da LF.

Il codice d'interfaccia 13H (XOFF) può essere inviato in qualsiasi momento dal dispositivo invitato al dialogo (strumento o controller) per sospendere i dati inviati dal dispositivo che ha richiesto il dialogo. Il primo deve inviare 11H (XON) prima che il secondo ricominci a trasmettere. Questa è l'unica forma di handshake supportata dalla modalità RS232 indirizzabile.

Elenco completo dei codici d'interfaccia RS232 indirizzabili

| | |
|-----|---|
| 02H | Set Addressable Mode (modalità apparecchio indirizzabile). |
| 03H | Codice di controllo Universal Unaddress. |
| 04H | Codice di controllo modalità Lock Non-Addressable. |
| 06H | Acknowledge ricezione dell'invito all'ascolto. |
| 0AH | Line Feed (cambio linea) usato come segnale finale universale per comandi e risposte. |
| 0DH | Carriage Return (ritorno carrello); codice di formattazione, altrimenti ignorato. |
| 11H | Restart transmission (XON). |
| 12H | Listen Address - deve essere seguito dall'indirizzo dello strumento interpellato. |
| 13H | Stop transmission (XOFF). |
| 14H | Talk Address - deve essere seguito dall'indirizzo dello strumento interpellato. |
| 18H | Universal Device Clear |

Interfaccia USB

L'interfaccia USB consente di gestire lo strumento con il protocollo RS232 attraverso una porta USB per computer. È utile quando le porte COM RS232 standard sono occupate o assenti.

Lo strumento viene fornito con un disco contenente i driver per diverse versioni di Windows, fra cui Win98 e 2000. Gli eventuali aggiornamenti dei driver possono essere scaricati dal sito TTI www.tti-test.com. Il disco contiene anche un file di testo che riporta le informazioni generali e dettagliate sulle modalità d'installazione del software.

L'installazione del driver dell'interfaccia si effettua collegando lo strumento a un PC con un cavo USB standard. Le funzioni plug and play di Windows individuano automaticamente la presenza del nuovo hardware collegato all'interfaccia USB e, se si tratta del primo collegamento, invitano l'utente ad indicare l'ubicazione di un driver idoneo. Purché l'utente osservi le istruzioni d'installazione visualizzate sullo schermo, Windows provvede ad installare il driver e a creare una porta COM virtuale nel PC. Il numero della porta COM dipende dal numero di porte COM già presenti sul PC. La porta COM virtuale può essere gestita dagli applicativi Windows esattamente come una porta standard.

Si ricorda che è necessario impostare la porta COM virtuale sulla medesima velocità di trasmissione in Baud dello strumento gestito; le modalità di impostazione sono identiche a quelle previste per il collegamento standard RS232.

Il driver rimane installato sul PC in modo che, dopo l'installazione, la porta COM virtuale venga creata automaticamente ogni volta che lo strumento è collegato al PC attraverso la porta USB.

Vengono create altre porte COM virtuali per ogni strumento supplementare collegato al PC tramite la porta USB. A ciascuno strumento viene attribuita una porta COM virtuale in occasione del primo collegamento dello strumento; la medesima porta COM virtuale viene attribuita allo strumento ai collegamenti successivi dello strumento; il software per PC adotta un codice univoco integrato in ogni strumento per collegare quest'ultimo alla porta COM virtuale a prescindere dalla porta USB fisica a cui è effettivamente collegato.

È anche possibile utilizzare il comando ADDRESS? per individuare agevolmente lo strumento effettivamente controllato da una particolare porta COM. Anche se la funzionalità di indirizzamento viene ignorata durante l'utilizzo della porta USB, è comunque possibile impostare l'indirizzo ed utilizzarlo come identificativo; a tal fine, occorre impostare tutti gli strumenti collegati alle porte USB su indirizzi univoci e trasmettere il comando ADDRESS? da ciascuna porta COM virtuale per segnalare quale strumento è effettivamente collegato alla porta interessata.

Il disco in dotazione contiene anche un programma di disinstallazione.

Interfaccia GPIB

Il connettore a 24 vie per l'interfaccia GPIB si trova sul pannello posteriore dello strumento. I collegamenti dei pin sono indicati nello standard IEEE 488.2-1987 e lo strumento è conforme agli standard IEEE 488.1-1987 e IEEE 488.2-1987.

Sottogruppi GPIB

Lo strumento include i sottogruppi IEEE 488.1 riportati di seguito:

| | | |
|----------------------|-----|---------------------------------------|
| Source Handshake | SH1 | (messa in comunicazione chiamante) |
| Acceptor Handshake | AH1 | (messa in comunicazione chiamato) |
| Talker | T6 | (dispositivo chiamante) |
| Listener | L4 | (dispositivo in ascolto) |
| Service Request | SR1 | (richiesta di servizio) |
| Remote Local | RL1 | (lodale remoto) |
| Parallel Poll | PP1 | (interrogazione ciclica in parallelo) |
| Device Clear | DC1 | (azzeramento dispositivo) |
| Device Trigger | DT0 | (intervento dispositivo) |
| Controller | C0 | (controller) |
| Electrical Interface | E2 | (interfaccia elettrica) |

Standard GPIB IEEE 488.2 Gestione degli errori - Query Error Register

L'errore IEEE 488.2 UNTERMINATED (invito al dialogo senza dati da inviare) viene gestito nel modo seguente. L'errore UNTERMINATED viene generato quando lo strumento è invitato a dialogare con il codice di formattazione risposta inattivo e la coda dati d'ingresso vuota. Questo comporta l'impostazione di un Query Error (errore di domanda) nello Standard Event Status Register (registro eventi ordinari), l'inserimento del valore 3 nel registro del Query Error e il ripristino dell'analizzatore sintattico. Per ulteriori raggugli, vedi la sezione Segnalazione stati.

L'errore IEEE 488.2 INTERRUPTED (interruzione) viene gestito nel modo seguente. Se il codice di formattazione risposte è in attesa d'inviare un messaggio di risposta e l'analizzatore sintattico legge il codice <PROGRAM MESSAGE TERMINATOR> (codice finale messaggio programma) o la coda dei messaggi in entrata contiene più di un messaggio END (fine), lo strumento riceve il codice INTERRUPTED e viene generato un errore. Questo comporta l'impostazione di un Query Error nello Standard Event Status Register, l'inserimento del valore 1 nel registro Query Error e il ripristino del codice di formattazione risposte, svuotando così la coda dei dati in uscita. Per ulteriori raggugli, vedi la sezione Segnalazione stati.

L'errore IEEE 488.2 DEADLOCK (blocco dati) viene gestito nel modo seguente. Qualora il codice di formattazione risposte sia in attesa di inviare un messaggio di risposta e la coda dei dati in entrata è piena, lo strumento entra nello stato DEADLOCK e viene generato un errore. Questo comporta l'impostazione del bit Query Error nello Standard Event Status Register, l'inserimento del valore 2 nel Query Error Register e il ripristino del codice di formattazione risposta, che svuota la coda dei dati in uscita. L'analizzatore sintattico comincia ad analizzare la sintassi della <PROGRAM MESSAGE UNIT> (elemento di messaggio del programma) successivo dalla coda dei dati in entrata. Per ulteriori raggugli, vedi la sezione Segnalazione stati.

Interrogazione ciclica in parallelo GPIB

Il presente strumento è dotato di tutte le funzioni di interrogazione ciclica in parallelo. Il Parallel Poll Enable register (registro abilitazione interrogazione ciclica in parallelo) viene impostato per indicare quali bit nel Status Byte Register (registro stato byte) si devono utilizzare per formulare il messaggio locale ist. Il Parallel Poll Enable Register viene impostato dal comando *PRE <nrf> e letto dal comando *PRE? Il valore nel Parallel Poll Enable Register viene aggiunto allo Status Byte Register in configurazione AND; se il risultato è zero, il valore di ist è zero, altrimenti il valore di ist è 1.

Lo strumento deve anche essere configurato di modo che il valore di *ist* può essere ritornato al controller durante l'operazione d'interrogazione ciclica parallela. Il controller configura lo strumento inviando il comando Parallel Poll Configure (PPC) (configura interrogazione ciclica parallela) seguito dal comando Parallel Poll enable (PPE) (abilita interrogazione ciclica). I bit nel comando PPE sono riportati di seguito:

| | | |
|---------|-------------|--|
| bit 7 = | X | non importa |
| bit 6 = | 1 | abilitazione dell'interrogazione ciclica parallela |
| bit 5 = | 1 | |
| bit 4 = | 0 | |
| bit 3 = | significato | significato della risposta bit 0 = basso, 1 = alto |
| bit 2 = | ? | posizione bit della risposta |
| bit 1 = | ? | |
| bit 0 = | ? | |

Esempio. Per ritornare il bit RQS (bit 6 del Status Byte Register) come 1 quando è vero e come 0 quando è falso nella posizione bit 1 in risposta a un'operazione d'interrogazione ciclica parallela, inviare i comandi seguenti

*PRE 64 <pmt> e quindi il PPC seguito da 69H (PPE)

La risposta all'interrogazione ciclica parallela proveniente dallo strumento sarà 00H se RQS è 0 e 01H se RQS è 1.

Durante la risposta di interrogazione ciclica parallela, le linee dell'interfaccia DIO hanno una terminazione resistiva (terminazione passiva), che consente a più dispositivi di condividere la stessa posizione dei bit sia in configurazione AND che OR. Per ulteriori ragguagli, vedi IEEE 488.1.

Registri stati strumento

Questa sezione descrive il modello completo degli stati dello strumento. Si ricorda che alcuni registri sono specifici alla sezione GPIB dello strumento e non hanno molta pertinenza con l'ambito RS232.

Standard Event Status Register e Standard Event Status Enable Register

(registro stati eventi ordinari e registro abilitazione stati eventi ordinari)

Questi due registri vengono utilizzati in conformità allo Standard 488.2 IEEE. I bit impostati nello Standard Event Status Register che corrispondono ai bit impostati nello Standard Event Enable Register comportano l'invio del bit ESB nello Status Byte Register.

Lo Standard Event Status Register viene letto e svuotato dal comando *ESR?. Il registro Standard Event Status Enable si imposta con il comando *ESE <nrf> e si legge con il comando *ESE?

- Bit 7 - Accensione. Interviene alla prima accensione dello strumento.
- Bit 6 - A disposizione.
- Bit 5 - Errore di comando. Interviene quando viene individuato un errore di sintassi in un comando dal bus. Il segnale di analisi sintattica viene ripristinato e l'operazione di analisi sintattica continua al byte successivo nei dati in entrata.
- Bit 4 - Errore di esecuzione. Interviene quando si verifica un errore durante l'esecuzione di un comando sottoposto ad analisi sintattica. Il numero dell'errore individuato viene inviato all'Execution Error Register.
 - 1- 99 Indica la presenza di un errore hardware.
 - 116 Sono stati richiesti i dati d'impostazione, ma la memoria indicata non contiene dati.

-
- 117 Sono stati richiesti i dati d'impostazione, ma la memoria indicata contiene dati alterati. Questo errore indica la presenza di un guasto hardware o l'alterazione dei dati, che può essere risolta riscrivendo i dati nella memoria.
- 120 Il valore numerico inviato con il comando era troppo grande o troppo piccolo. Contiene valori negativi, mentre sono ammessi solo valori positivi.
- 123 È stato richiesto il richiamo/la memorizzazione dei dati d'impostazione da/a un numero di memoria illecito.
- 124 È stata richiesta una nuova gamma di esercizio, ma le impostazioni attuali della PSU non lo consentono – per ulteriori dettagli, vedi le istruzioni sul funzionamento in manuale.
- Bit 3 - Errore tempo scaduto verifica. Viene impostato quando un parametro prevede l'esecuzione della 'verifica' e il valore non viene raggiunto entro 5 secondi, ovvero la tensione erogata è rallentata dalla presenza di un condensatore di grandi dimensioni sull'uscita.
- Bit 2 - Errore richiesta di informazioni. Viene impostato quando si verifica un errore di richiesta di informazioni. Il numero dell'errore viene memorizzato nel Query Error Register. Gli errori possibili sono indicati qui di seguito.
1. Errore assenza interruzioni
 2. Errore blocco dati
 3. Errore assenza segnale finale
- Bit 1 - A disposizione.
- Bit 0 - Operazione ultimata. Viene impostato alla ricezione del comando *OPC.

Limit Event Status Register e Limit Event Status Enable Register

Vengono utilizzate due coppie di registri oltre alla norma IEEE 488.2. Ciascuna coppia di registri è composta dal registro Limit Event Status Register e dal registro Limit Status Event Enable Register. Il registro Limit Event Status Register 1 (LSR1) e il registro Limit Event Status Enable Register 1 (LSE1) interessano l'uscita 1. Il registro Limit Event Status Register 2 (LSR2) e il registro Limit Event Status Enable Register 2 (LSE2) interessano l'uscita 2 e l'uscita Auxiliary. Lo scopo di questi registri consiste nel segnalare al controller quando i valori delle uscite entrano od escono dal campo dei valori di corrente o di tensione ammessi mediante la memorizzazione di uno storico degli interventi delle termiche dall'ultimo rilevamento dei valori.

Tutti i set di bit nel registro Limit Event Status Register che corrispondono al set di bit nel registro Limit Event Status Enable Register corrispondente provocano l'impostazione del bit LIM1 o LIM2 nel registro Status Byte Register.

I registri Limit Event Status Registers 1 e 2 vengono letti e svuotati dai comandi LSR1? e LSR2? rispettivamente. I registri Limit Event Status Enable Registers 1 e 2 vengono impostati dai comandi LSE1<nrf> e LSE2<nrf> e letti dai comandi LSE1? e LSE2? rispettivamente.

Registro Limit Event Status Register 1

- Bit 7 - a disposizione
- Bit 6 - a disposizione
- Bit 5 - Viene impostato quando interviene la termica rilevamento dell'uscita 1
- Bit 4 - Viene impostato quando interviene la termica sovratemperatura dell'uscita 1
- Bit 3 - Viene impostato quando interviene la termica sovracorrente dell'uscita 1
- Bit 2 - Viene impostato quando interviene la termica sovratensione dell'uscita 1
- Bit 1 - Viene impostato quando l'uscita 1 si trova entro il valore max (modalità corrente costante)
- Bit 0 - Viene impostato quando l'uscita 1 si trova entro il valore max (modalità tensione costante)

Registro Limit Event Status Register 2

- Bit 7 - a disposizione
- Bit 6 - Viene impostato quando l'uscita Auxiliary si trova entro il valore max di corrente
- Bit 5 - Viene impostato quando interviene la termica rilevamento dell'uscita 2
- Bit 4 - Viene impostato quando interviene la termica sovratemperatura dell'uscita 2
- Bit 3 - Viene impostato quando interviene la termica sovracorrente dell'uscita 2
- Bit 2 - Viene impostato quando interviene la termica sovratensione dell'uscita 2
- Bit 1 - Viene impostato quando l'uscita 2 si trova entro il valore max di corrente (modalità corrente costante)
- Bit 0 - Viene impostato quando l'uscita 2 si trova entro il valore max di tensione (modalità tensione costante)

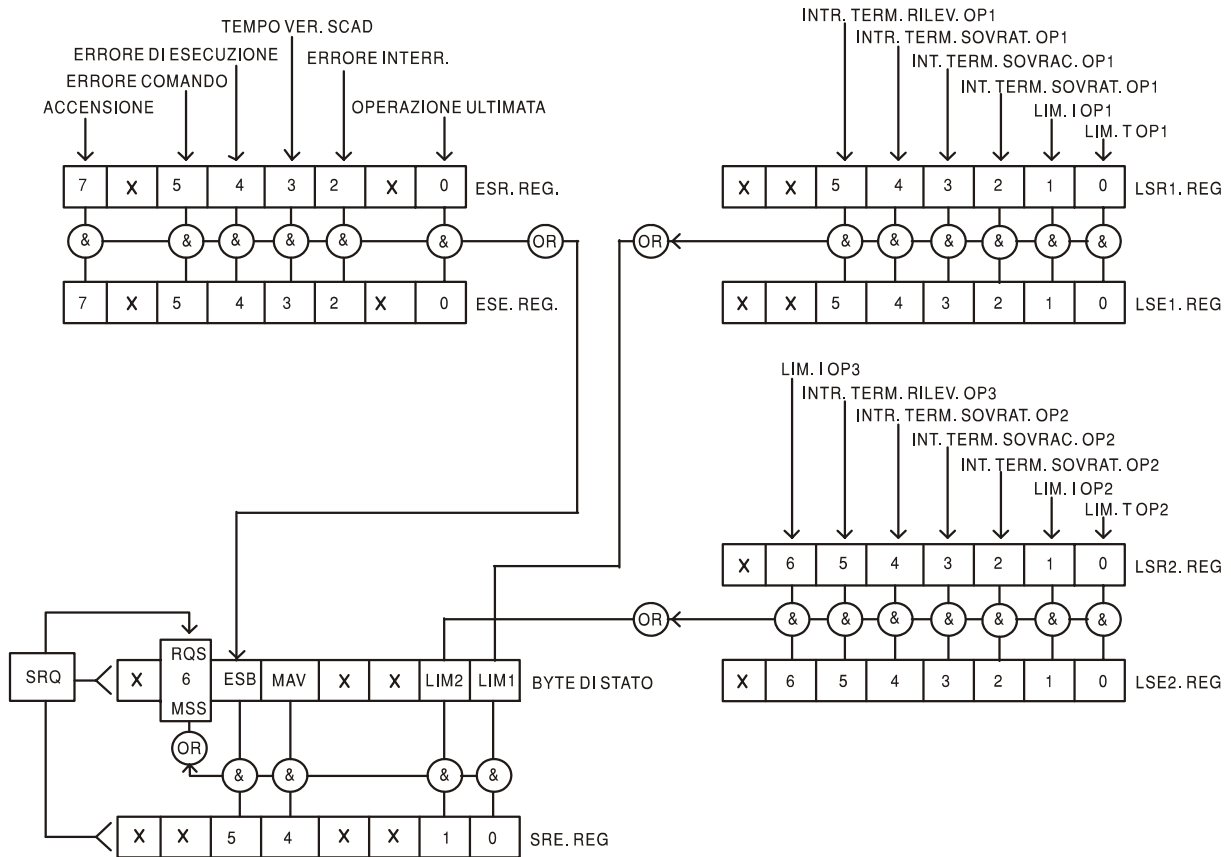
Status Byte Register e Service Request Enable Register

Questi due registri vengono utilizzati in conformità allo standard IEEE 488.2.

I bit impostati nello Status Byte Register che corrispondono ai bit impostati nello Service Request Enable Register comportano l'invio del bit RQS/MSS nello Status Byte Register generando così una Service Request sul bus.

Lo Status Byte Register viene letto o dal comando *STB?, che ritorna MSS nel bit 6, oppure da un'interrogazione ciclica seriale che ritorna RQS nel bit 6. Il registro Service Request Enable si imposta con il comando *SRE <nrf> e si legge con il comando *SRE?

- Bit 7 - A disposizione
- Bit 6 - RQS/MSS. Questo bit, definito dallo standard IEEE 488,2, contiene sia il messaggio Requesting Service (richiesta servizio) che il messaggio Master Status Summary (sommario stati principali). RQS viene tornato in risposta a una Serial Poll ed MSS in risposta al comando *STB?.
- Bit 5 - ESB. l'Event Status Bit (bit di stato evento) Si imposta se uno dei bit impostati nello Standard Event Status Register corrisponde a un bit impostato nello Standard Event Status Enable Register.
- Bit 4 - MAV. il Message Available Bit. (Bit messaggio disponibile) Si imposta quando lo strumento ha un messaggio di risposta formattato e pronto da inviare al controller. Il bit viene eliminato dopo l'invio del Response Message Terminator (carattere finale messaggio di risposta).
- Bit 3 - A disposizione
- Bit 2 - A disposizione
- Bit 1 - LIM2. Viene impostato se sono impostati dei bit nel registro Limit Event Status Register 2 e i bit corrispondenti nel registro Limit Event Status Enable Register 2.
- Bit 0 - LIM1. Viene impostato se sono impostati dei bit nel registro Limit Event Status Register 1 e i bit corrispondenti nel registro Limit Event Status Enable Register 1.



Schema illustrativo stati

Impostazioni per l'accensione

All'accensione dello strumento, vengono impostati i seguenti valori:

| | |
|---|-------------------------------|
| Status Byte Register | = 0 |
| Service Request Enable Register † | = 0 |
| Standard Event Status Register | = 128 (set di bit accensione) |
| Standard Event Status Enable Register † | = 0 |
| Execution Error Register | = 0 |
| Query Error Register | = 0 |
| Parallel Poll Enable Register † | = 0 |

† I registri seguiti da questo simbolo interessano solo la sezione GPIB dello strumento ed hanno poca pertinenza nell'ambito RS232.

Lo strumento funziona nella modalità locale con la tastiera attiva.

I parametri dello strumento all'accensione sono identici a quelli impostati in occasione dell'ultimo spegnimento dello stesso, ad eccezione dello stato dell'uscita. Quest'ultimo è stato impostato in fabbrica su off, ma l'utente può selezionare che sia identico sia all'accensione che allo spegnimento dello strumento.

Formato dei comandi RS232 remoti

I dati inviati allo strumento vengono accordati in una coda da 256 byte, che viene riempita, tramite segnali di interrupt, in modo trasparente a tutte le altre operazioni dello strumento. Lo strumento invia il segnale XOFF quando ci sono circa 200 caratteri nella coda d'attesa ed XON quando ci sono circa 100 spazi liberi nella coda dopo l'invio di XOFF. Questa coda contiene dati non analizzati sintatticamente che l'analizzatore sintattico preleva quando sono necessari. I comandi (e le richieste) vengono eseguiti in ordine e l'analizzatore non inizia l'analisi di un comando nuovo fino a quando non ha completato l'analisi di quelli precedenti. Nella modalità RS232 non indirizzabile, le risposte ai comandi o alle richieste sono immediate, ovvero non c'è una coda per i dati in uscita. Nella modalità indirizzabile, il codice di formattazione risposta attende, anche per un periodo di tempo indeterminato, fino a quando lo strumento viene invitato al dialogo ed invia l'intero messaggio di risposta, prima di consentire all'analizzatore sintattico di eseguire il comando successivo nella coda dei dati in entrata.

I comandi devono essere inviati come indica l'elenco dei comandi e devono terminare con il codice finale 0AH (line feed LF). I comandi possono essere inviati in gruppi e separati dal codice 3BH (;). Il gruppo di comandi deve terminare con il codice 0AH (Carriage Return CR), seguito dal codice 0AH (Line Feed LF).

Le risposte dallo strumento al controller vengono inviate come indica l'elenco comandi. Ciascuna risposta viene terminata con il codice 0DH (Carriage Return CR) seguito dal codice 0AH (Line Feed, LF).

<WHITE SPACE> (spazio vuoto) viene definito come i codici di carattere da 00H a 20H incluso, ad eccezione di quelli specificati come codici di controllo addressable RS232.

<WHITE SPACE> viene ignorato ad eccezione di quando si trova negli identificatori comandi, ovvero '*C LS' non equivale a '*CLS'.

Il bit alto di tutti i caratteri viene ignorato.

I comandi non fanno distinzione fra lettere maiuscole e minuscole.

Formato dei comandi remoti GPIB

I dati inviati allo strumento vengono accordati in una coda da 256 byte, che viene riempita, tramite segnali di interrupt, in modo trasparente a tutte le altre operazioni dello strumento. Questa coda contiene dati non analizzati sintatticamente che l'analizzatore sintattico preleva quando sono necessari. I comandi (e le richieste) vengono eseguiti in ordine e l'analizzatore non inizia l'analisi di un comando nuovo fino a quando non ha completato l'analisi di quelli precedenti. Non c'è una coda per i dati in uscita, il che significa che il codice di formattazione risposta attende, anche per un periodo di tempo indeterminato, fino a quando lo strumento viene invitato al dialogo ed invia l'intero messaggio di risposta, prima di consentire all'analizzatore sintattico di eseguire il comando successivo nella coda dei dati in entrata.

Il controller invia i comandi come <PROGRAM MESSAGES> (messaggi di programma), e ciascun messaggio è composto dallo zero o da più elementi di <PROGRAM MESSAGE UNIT> (unità messaggi di programma) separati dagli elementi del <PROGRAM MESSAGE UNIT SEPARATOR> (separatore unità messaggi di programma)

La <PROGRAM MESSAGE UNIT> è uno qualsiasi dei comandi nella lista comandi remoti.

Il <PROGRAM MESSAGE UNIT SEPARATOR> è un carattere di punto-e-virgola ';' (3BH).

I <PROGRAM MESSAGES> sono separati dagli elementi del <PROGRAM MESSAGE TERMINATOR> che possono essere uno dei seguenti:

| | |
|--------|---|
| NL | Il carattere new line (0AH) (a capo) |
| NL^END | Il carattere new line con il messaggio END (fine) |
| ^END | Il messaggio END con l'ultimo carattere del messaggio |

Le risposte dallo strumento al controller vengono inviate come <RESPONSE MESSAGES> (messaggi di risposta). Un <RESPONSE MESSAGE> è composto da una <RESPONSE MESSAGE UNIT> (unità di messaggio di risposta) seguita da un <RESPONSE MESSAGE TERMINATOR> (codice finale messaggio di risposta).

Il <RESPONSE MESSAGE TERMINATOR> è il carattere di new line con il messaggio
END NL^END.

Ciascuna domanda genera un particolare <RESPONSE MESSAGE>, elencato unitamente al comando nell'elenco dei comandi remoti.

<WHITE SPACE> viene ignorato eccetto quando si trova negli identificatori di comando, ovvero '*C LS' non equivale a '*CLS'.

<WHITE SPACE> è definito come i codici di carattere da 00H a 20H incluso ad eccezione del carattere NL (0AH).

Il bit alto di tutti i caratteri viene ignorato.

I comandi non fanno distinzione fra lettere maiuscole e minuscole.

Elenco dei Comandi

Questa sezione elenca tutti i comandi e le richieste adottate in questo strumento. I comandi sono elencati in ordine alfabetico nei gruppi delle funzioni.

Si noti che non ci sono parametri dipendenti, parametri accoppiati, comandi sovrapposti, elementi di dati di programmazione espressioni o titoli dei programmi comandi composti; ciascun comando viene eseguito completamente prima di avviare comando seguente. Tutti i comandi sono progressivi e il messaggio operazione completa viene generato sempre, subito dopo l'esecuzione.

Si utilizza la seguente nomenclatura:

<rmt> <RESPONSE MESSAGE TERMINATOR>

<nrf> Il numero 12 può essere espresso come 12, 12.00, 1.2 e1 e 120 e-1. I numeri, una volta ricevuti, vengono trasformati con la precisione richiesta in funzione della destinazione d'uso e successivamente arrotondati per ricavare il valore del comando.

<nr1> Numero senza parte frazionale, ovvero numero intero.

<nr2> Numero espresso con punto decimale fisso, ad esempio 11.52, 0.78 ecc.

<n> Numero dell'uscita o registro condizioni a cui fa riferimento il comando.
Si fa presente che <n>= 3 si riferisce all'uscita Auxiliary.

I comandi che cominciano con un * sono quelli specificati nello Standard IEEE 488.2 come comandi Common (comuni). Funzionano tutti quando vengono utilizzati usati con l'interfaccia RS232, ma alcuni sono di scarsa utilità.

Comandi univoci dello strumento

Per i comandi contrassegnati dalla funzione 'CON VERIFICA', il messaggio Operation Complete (operazione ultimata) viene generato quando il parametro in corso di modifica raggiunge il valore previsto entro +/-5% o +/-10 conteggi, il maggiore fra i due. Se il valore non dovesse raggiungere questi limiti entro 5 secondi, il bit Verify Timeout (verifica tempo massimo) (bit 3) viene inserito nello Standard Event Status e il messaggio Operation Complete non viene generato.

Quando l'alimentazione viene erogata nella modalità LINK, i comandi che impostano i valori e le gamme interessano sia l'uscita 1 che l'uscita 2 contemporaneamente, a prescindere dal fatto che <n> sia impostato su 1 o su 2. Quando il comando lo richiede, la verifica viene eseguita per entrambe le uscite prima dell'esecuzione del comando. Inoltre, i comandi SAV<n> e RCL<n> vengono eseguiti sulla memoria non volatile riservata alle impostazioni delle modalità collegate oppure impostando <n> su 1 o 2. Si ricorda però che <n> fa parte dell'intestazione del comando e deve essere incluso.

| | |
|------------------|---|
| V<n> <nrf> | imposta l'uscita <n> su <nrf> Volt |
| V<n>V <nrf> | imposta l'uscita <n> su <nrf> Volt con operazione di verifica |
| OVP<n> <nrf> | imposta il punto d'intervento termica sovratensione uscita <n> su <nrf> Volt |
| I<n> <nrf> | imposta il valore max di corrente uscita <n> su <nrf> Ampere |
| OCP<n> <nrf> | imposta il punto d'intervento termica sovracorrente uscita <n> su <nrf> Ampere |
| V<n>? | ritorna la tensione impostata per l'uscita <n> – la risposta è V <n> <nr2><rmt> dove <nr2> è espresso in Volt |
| I<n>? | ritorna il valore max di corrente impostato per l'uscita <n> – la risposta è <n> <nr2><rmt> dove <nr2> è espresso in Ampere |
| O | ritorna il valore impostato per l'intervento della termica sovratensione per l'uscita <n> – la risposta è VP<n> <nr2><rmt> dove <nr2> è espresso in Volt |
| VP<n>? | |
| OCP<n>? | ritorna il valore impostato per l'intervento della termica sovracorrente per l'uscita <n> – la risposta è IP<n> <nr2><rmt> dove <nr2> è espresso in Ampere |
| V<n>O? | ritorna il valore di tensione rilevato per l'uscita <n> – la risposta è <nr2>V<rmt> dove <nr2> è espresso in Volt |
| I<n>O? | ritorna il valore di corrente rilevato per l'uscita <n> – la risposta è <nr2>A<rmt> dove <nr2> è espresso in Ampere |
| RANGE<n> <nrf> | imposta il campo di valori di tensione per l'uscita <n> to <nrf> dove <nrf> ha il seguente significato: 0=15V(5A), 1=35V(3A), 2=35V(500mA) |
| RANGE<n> | ritorna il campo di valori di tensione per l'uscita <n> – la risposta è R<n> <nr1><rmt> dove <nr1> ha il seguente significato: 0=15V(5A), 1=35V(3A), 2=35V(500mA) |
| DELTA V<n> <nrf> | imposta il passo di incremento/decremento tensione per l'uscita <n> su <nrf> Volt |
| DELTA I<n> <nrf> | imposta il passo di incremento/decremento tensione per l'uscita <n> su <nrf> Ampere |
| DELTA V<n>? | ritorna il passo di incremento/decremento tensione per l'uscita <n> – la risposta è DELTA V<n> <nr2><rmt> dove <nr2> è espresso in Volt. |
| DELTA I<n>? | ritorna il passo di incremento/decremento corrente per l'uscita <n> – la risposta è DELTA I<n> <nr2><rmt> dove <nr2> è espresso in Ampere. |
| INCV<n> | incrementa la tensione dell'uscita <n> per il passo impostato per l'uscita <n> |
| INCV<n>V | incrementa e verifica la tensione per l'uscita <n> del passo impostato per l'uscita <n> |
| DECV<n> | decrementa la tensione per l'uscita <n> del passo impostato per l'uscita > |
| DECV<n>V | decrementa e verifica la tensione per l'uscita <n> del passo impostato per l'uscita <n> |
| INCI<n> | incrementa il valore max corrente per l'uscita <n> del passo impostato per l'uscita <n> |
| DECI<n> | decrementa il valore max corrente per l'uscita <n> del passo impostato per l'uscita <n> |
| OP<n> <nrf> | imposta l'inserimento/disinserimento (ON/OFF) per l'uscita <n> dove <nrf> ha il seguente significato: 0=OFF, 1=ON imposta <n> su 3 per assumere il controllo dell'uscita Auxiliary |

| | |
|----------------|--|
| OPALL <nrf> | <p>Imposta contemporaneamente l'inserimento/disinserimento (on/off) di tutte le uscite dove <nrf> ha il seguente significato: 0=Tutte le uscite OFF, 1=TUTTE LE USCITE ON. Se OPALL imposta tutte le uscite su ON, le uscite già impostate su on rimangono su ON Se OPALL imposta tutte le uscite su OFF, le uscite già impostate su off rimangono su OFF</p> |
| SENSE<n> <nrf> | <p>imposta la modalità rilevamento uscita <n>, dove <nrf> ha il seguente significato: 0=locale, 1=remota</p> |
| MODE <nrf> | <p>imposta la modalità di funzionamento dello strumento su LINK o assegna il controllo all'uscita 1 o 2; <nrf> ha il seguente significato: 0 = collegato, 1 = attribuzione controllo all'uscita 1, 2 = attribuzione controllo all'uscita 2 L'impostazione della modalità collegata influisce esclusivamente sul modo in cui lo strumento risponde ad alcuni comandi remoti. L'attribuzione del controllo alle uscite 1 o 2 comporta l'uscita dello strumento dalla modalità collegata, ma non svolge altre funzioni fino a quando lo strumento non ritorna alla modalità di funzionamento locale. Le eventuali modalità impostate sul funzionamento remoto vengono mantenute fino a quando lo strumento non ritorna alla modalità di funzionamento locale..</p> |
| MODE? | <p>ritorna alla modalità di funzionamento corrente – la risposta è LINKED o CTRL<n> (controllo attribuito all'uscita <n>)</p> |
| TRIPRST | tentativo di eliminazione di tutte le condizioni di intervento termiche da tutte le uscite |
| LOCAL | inserisci modalità locale |
| LSR<n>? | <p>interrogazione e svuotamento di LSR<n>, registro limit status register <n> – la risposta è <nr1><rmt></p> |
| LSE<n> <nrf> | imposta il valore di LSE<n>, registro limit status enable register <n>, su <nrf> |
| LSE<n>? | <p>ritorna il valore di LSE<n>, registro limit status enable register <n> – la risposta è <nr1><rmt></p> |
| SAV<n> <nrf> | <p>salva il valore di corrente attualmente impostato sulla PSU<n> nella memoria indicata da <nrf> dove <nrf> può essere 0 - 9 Se lo strumento funziona nella modalità collegata, tutte le configurazioni impostate per lo strumento vengono memorizzate nella memoria in cui vengono salvate le configurazioni per la modalità collegata indicata da <nrf>. L'indicazione <n> viene ignorata. Questa funzione non interessa le singole memorie delle PSU<n> disponibili quando lo strumento non funziona nella modalità collegata</p> |
| RCL<n> <nrf> | <p>richiama un valore impostato per la PSU <n> dalla memoria impostazioni indicata da <nrf> dove <nrf> può essere 0 - 9 Se lo strumento funziona nella modalità collegata, tutte le configurazioni dello strumento vengono richiamate dalla memoria configurazioni modalità collegata indicata da <nrf>. Il valore <n> viene ignorato.</p> |

Comandi di sistema e stati

| | |
|------|--|
| *RST | Ripristina i valori impostati in fabbrica sullo strumento – (vedi la sezione Impostazioni di fabbrica), ad eccezione di tutte le impostazioni effettuate per le interfacce remote. |
| EER? | Interroga e svuota l'Execution Error Register. La risposta è nr1<rmt>. |
| QER? | Interroga e svuota il Query Error Register. La risposta è nr1<rmt> |
| *CLS | Cancella lo stato. Svuota lo Standard Event Status Register, Interroga il Query Error Register e l'Execution Error Register, che svuota indirettamente lo Status Byte Register |

| | |
|------------|--|
| *ESE <nrf> | Imposta lo Standard Event Status Enable Register sul valore di <nrf>. |
| *ESE? | Ritorna il valore nello Standard Event Status Enable Register al formato numerico <nr1>. La sintassi della risposta è <nr1><rmt> |
| *ESR? | Riporta il valore nello Standard Event Status Register al formato numerico <nr1>. Il registro viene successivamente svuotato. La sintassi della risposta è <nr1><rmt>. |
| *IST? | Ritorna il messaggio locale ist definito dallo Standard 488.2 IEEE. La sintassi della risposta è 0<rmt> se il messaggio locale è falso oppure 1<rmt> se è vero. |
| *OPC | Imposta il bit Operation Complete (bit 0) nello Standard Event Status Register subito dopo l'esecuzione del comando perché tutte le operazioni vengono eseguite progressivamente. |
| *OPC? | Interroga lo stato Operation Complete. La sintassi della risposta è 1<rmt>. La risposta è disponibile immediatamente perché tutte le operazioni vengono eseguite progressivamente. |
| *PRE <nrf> | Imposta il Parallel Poll Enable Register sul valore <nrf>. |
| *PRE? | Ritorna il valore nel Parallel Poll Enable Register nel formato numerico <nr1>. La sintassi della risposta è <nr1><rmt> |
| *SRE <nrf> | Imposta il Service Request Enable Register su <nrf>. |
| *SRE? | Ritorna il valore del Service Request Enable Register nel formato numerico <nr1>. La sintassi della risposta è <nr1><rmt> |
| *STB? | Ritorna il valore dello Status Byte Register nel formato numerico <nr1>. La sintassi della risposta è <nr1><rmt> |
| *WAI | Attende che l'Operation Complete sia vera. Poiché tutti i comandi vengono eseguiti prima che venga eseguito il comando successivo, questo comando non esegue ulteriori operazioni. |

Comandi vari

| | |
|----------|---|
| *IDN? | Ritorna l'identificativo dello strumento. La risposta precisa dipende dalla configurazione dello strumento e viene espressa nel formato <NAME>,<model>, 0, <version><rmt> dove <NAME> è il nome del costruttore, <model> il tipo dello strumento e <version> il numero della revisione del software installato. |
| ADDRESS? | Ritorna l'indirizzo del bus dello strumento. La sintassi della risposta è <nr1><rmt>. |
| *TST? | La PSU non prevede l'esecuzione dell'autoverifica e la risposta è sempre 0 rmt>. |
| *TRG | La PSU non è dotata della funzione di intervento. |

Comandi destinati alle operazioni di taratura

Per informazioni su questi comandi, vedi il Manuale di manutenzione.

Messaggi di errore

Ciascun messaggio di errore è contrassegnato da un numero; solo quest'ultimo viene inviato all'utente attraverso le interfacce di controllo remoto. I numeri dei messaggi di errore non vengono visualizzati sul display, ma vengono memorizzati nell'Execution Error Register, dove è possibile leggerli attraverso le interfacce di controllo remote; vedi la sezione Registri stati strumento.

Manutenzione

I costruttori o rivenditori internazionali offrono agli utenti un servizio di riparazione per strumenti difettosi. Qualora i proprietari dello strumento desiderino eseguire internamente le operazioni di riparazione, dovranno affidarne l'esecuzione a personale specializzato, previa consultazione del manuale di manutenzione, che può essere acquistato direttamente presso i costruttori o i rivenditori internazionali.

Pulizia

La pulizia dello strumento deve essere eseguita con un panno leggermente inumidito con acqua o detergente neutro.

ATTENZIONE! ONDE EVITARE SCOSSE ELETTRICHE O DANNEGGIARE LO STRUMENTO, EVITARE TASSATIVAMENTE L'INGRESSO D'ACQUA NELL'INVOLUCRO DELLO STRUMENTO. ONDE EVITARE DI DANNEGGIARE L'INVOLUCRO, NON PULIRLO MAI CON SOLVENTI.

Esta fuente de alimentación es un dispositivo de Clase de Seguridad I según la clasificación del IEC y ha sido diseñado para cumplir con los requisitos de la norma EN61010-1 (Requisitos de Seguridad para Equipos Eléctricos para la Medición, Control y Uso en Laboratorio). Es un instrumento de Categoría de Instalación II propuesto para ser usado con un suministro monofásico normal.

Este instrumento ha sido comprobado según la norma EN61010-1 y ha sido suministrado en una condición segura. El manual de instrucciones contiene información y advertencias que deben seguirse para asegurar el empleo seguro por el usuario y para mantener al instrumento en una condición segura.

Este instrumento ha sido diseñado para ser utilizado en el interior en un ambiente de Grado de Polución 2 a temperaturas de entre 5°C y 40°C y una humedad relativa de entre el 20% y el 80% (sin condensación). De manera ocasional puede someterse a temperaturas de entre +5°C y -10°C sin que ello afecte a su seguridad. No hay que ponerlo en funcionamiento mientras haya condensación.

El uso de este instrumento en una manera no especificada por estas instrucciones puede afectar la seguridad protectora provista. El instrumento no debe ser utilizado fuera de su clasificación de voltaje o de su gama ambiental.

ADVERTENCIA! ESTE INSTRUMENTO DEBE CONECTARSE A TIERRA

Cualquier interrupción del conductor a tierra dentro o fuera del instrumento implicaría que el instrumento resultará peligroso. Está prohibida cualquier interrupción intencional. La acción protectora no debe negarse por el uso de una extensión de cable sin conductor protector.

Cuando el instrumento está conectado a su suministro es posible que queden sin protección elementos bajo tensión y la abertura de tapas o el retiro de piezas (salvo las accesibles por la mano) pueden dejar expuestos a elementos bajo tensión. Si se tuviera que efectuar alguna operación de ajuste, cambio, mantenimiento o reparación es necesario desconectar al instrumento de todas las fuentes de tensión.

Los capacitores dentro del aparato pueden permanecer cargados aún cuando las fuentes de tensión hayan sido desconectadas, pero quedarán seguramente descargadas a 10 minutos de haber desconectado la corriente.

Todo ajuste, mantenimiento o reparación del instrumento abierto bajo tensión debe ser evitado en lo posible, pero si fuera ineludible, estos trabajos deben ser realizados exclusivamente por un personal cualificado consciente del riesgo que implican.

Si el instrumento fuera claramente defectuoso, hubiera sido sometido a un daño mecánico, a humedad excesiva o a corrosión química, su protección de seguridad puede fallar y el aparato debe dejarse de usar y devolverse para su comprobación y reparación.

Asegurar que sólo se empleen fusibles de la clasificación y tipo especificados para todo recambio. Está prohibido utilizar fusibles improvisados así como cortocircuitar el portafusibles.

El instrumento no debe humedecerse al ser limpiado. Los símbolos que aparecen a continuación se utilizan en el instrumento y en este manual:-



Terminal a tierra



alimentación principal ON (conectada)



alimentación principal OFF (desconectada)



corriente continua (cc)

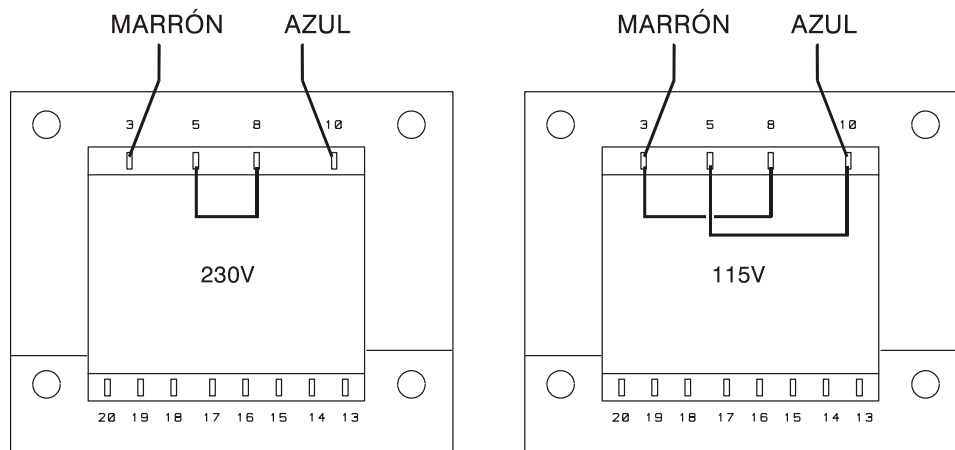


corriente alterna (ca)

Instalación

Compruebe que el voltaje de funcionamiento del instrumento indicado en el panel posterior es adecuado para el suministro eléctrico local. Si es necesario cambiar el voltaje de funcionamiento, realice lo siguiente:

- 1) Desconecte el instrumento de todas las fuentes de voltaje.
- 2) Extraiga los tornillos que sujetan la tapa superior y levante la tapa.
- 3) Cambie las conexiones en ambos transformadores según el diagrama correspondiente mostrado a continuación:



- 4) Vuelva a montar la tapa y fíjela con los mismos tornillos.
- 5) Para satisfacer los requisitos de seguridad, se debe cambiar el voltaje de funcionamiento indicado en el panel posterior con el fin de indicar claramente el nuevo ajuste de voltaje.
- 6) Cambie el fusible con uno del régimen adecuado. Véase la sección siguiente.

Fusible

El fusible de CA está situado en el compartimento de fusible en la parte inferior del conector de entrada IEC. Para cambiar el fusible, quite el cable y abra el compartimento de fusibles con una herramienta adecuada.

El tipo correcto de fusible de corriente es de 20 x 5 mm 250 V HBC retardado con el régimen siguiente:

Para funcionamiento a 230 V: 2A (T) 250V HBC
Para funcionamiento a 115 V: 4A (T) 250V HBC

Asegúrese de que cuando se sustituyan los fusibles se utilicen fusibles del régimen de corriente correcto y del tipo especificado. No se permite utilizar fusibles provisionales ni realizar el cortocircuitado de los portafusibles.

Cable de corriente

Cuando se suministre un cable de corriente de tres núcleos con extremos pelados, se debe conectar de la forma siguiente:-

Marrón - Corriente
Azul - Neutro
Verde / Amarillo - Masa

¡ATENCIÓN! ESTE EQUIPO DEBE CONECTARSE A MASA

Cualquier interrupción del conductor de masa del interior o exterior del instrumento hará que el instrumento sea peligroso. No se permite la interrupción intencional. Se debe adoptar una acción de protección utilizando un cable de extensión con un conductor protector.

Montaje

Este instrumento se puede utilizar en un banco o montar en un soporte. Se suministra con patas para el montaje en banco. Las patas delanteras incluyen un mecanismo inclinable para ajustar el ángulo óptimo del panel.

El fabricante o sus agentes internacionales puede suministrar un kit de soporte para montar los suministros de corriente de la Serie XDL. El soporte permitirá acomodar 1, 2 ó 3 unidades individuales, o una unidad triple y una unidad individual. También existe disponible una pieza de obturación para las posiciones que no se utilizan en el soporte.

Ventilación


El suministro de corriente está refrigerado por un ventilador inteligente de varias velocidades que ofrece ventilación en la parte posterior. Tenga cuidado de no obstruir las entradas de aire en los paneles laterales o en la salida en la parte posterior. Cuando el instrumento esté montado en soporte, deje un espacio suficiente alrededor del instrumento y/o utilice una bandeja de ventilador para una refrigeración por aire forzado.

Conexiones

Conexiones del panel frontal

Las cargas se deben conectar a los terminales positivo (rojo) y negativo (negro) con la marca OUTPUT 1 (Salida 1), OUTPUT 2 (Salida 2), o AUXILIARY (Auxiliar).

Si es necesario, las conexiones de detección remota en las cargas en la Salida 1 ó 2 se realizan desde los terminales correspondientes REMOTE SENSE (Detección Remota) positivo (+) y negativo (-). El funcionamiento de la detección remota se selecciona desde el teclado o a través de la interfaz de control remoto (sólo XDL 35-5TP); La luz REMOTE SENSE se enciende cuando se selecciona la detección remota. Si se desconecta la detección remota, el instrumento regresará a la detección local en los terminales de salida.

El terminal  se conecta al bastidor y a la toma de tierra de seguridad.

Conexiones del panel posterior

Terminales de salida auxiliar

Los terminales AUXILIARY OUTPUT (Salida Auxiliar) del panel frontal están duplicados en el panel posterior con terminales sin rosca con la marca AUXILIARY OUTPUT.

Terminales de salida principal (sólo XDL 35-5TP)

Los terminales de salida y detección están duplicados en el bloque de terminales roscados del panel posterior y tienen la marca Output +, Output -, Sense + y Sense - ; estas conexiones se corresponden con los equivalentes del panel frontal.

El funcionamiento de la detección remota se selecciona desde el teclado o a través de la interfaz de control remoto. Cuando se utilizan los terminales del panel posterior, siempre deberá estar seleccionada la detección remota para garantizar que se mantiene la regulación de la salida dentro de las especificaciones.

RS232 (sólo XDL 35-5TP)

Conector D de 9 patillas compatible con RS232 direccionable. Las conexiones de patillas se indican a continuación:

| Patilla | Nombre | Descripción |
|---------|--------|------------------------------------|
| 1 | – | No hay conexión interna |
| 2 | TXD | Datos transmitidos del instrumento |
| 3 | RXD | Datos recibidos en el instrumento |
| 4 | – | Sin conexión interna |
| 5 | GND | Toma de tierra de señal |
| 6 | – | Sin conexión interna |
| 7 | RXD2 | Datos recibidos secundarios |
| 8 | TXD2 | Datos transmitidos secundarios |
| 9 | GND | Toma de tierra de señal |

Las patillas 2, 3 y 5 se pueden utilizar como una interfaz convencional RS232 con comunicación XON/XOFF. Las patillas 7, 8 y 9 se utilizan cuando el instrumento se utiliza en modo RS232 direccionable. Las tomas de tierra de señal se conectan a la toma de tierra del instrumento. La dirección RS232 se ajusta desde el teclado.

GPIB (sólo XDL 35-5TP)

La interfaz GPIB no está aislada; las tomas de tierra de señal GPIB se conectan a la toma de tierra del instrumento.

Los subconjuntos implementados son los siguientes:

SH1 AH1 T6 TE0 L4 LE0 SR1 RL1 PP1 DC1 DT1 C0 E2

La dirección GPIB se ajusta desde el teclado.

USB (sólo XDL 35-5TP)

El puerto USB se conecta a la toma de tierra del instrumento, y acepta un cable estándar USB. Las funciones plug-and-play Windows deben reconocer automáticamente que el instrumento ha sido conectado.

Salidas de alarma

Cada salida principal tiene asociados conectores embutidos de 2 clavijas con la marca Alarma. Estos conectores ofrecen acceso a un transistor de conmutación NPN, cuya función se puede configurar desde el teclado. Consulte la sección Alarmas de este manual.

El voltaje máximo de funcionamiento que se puede aplicar en los terminales es de 20 V CC y la corriente disipada máxima del 'armazón' del conmutador es de 1mA.



No aplique voltajes externos entre los terminales que sobrepasen los 30 V CC.

Funcionamiento inicial

Esta sección del manual es una introducción general a los controles y el funcionamiento del instrumento, y debe leerse antes de conectar el suministro eléctrico por primera vez.

En este manual, las teclas del panel frontal, las conexiones y los indicadores de pantalla se muestran en mayúsculas, ej. STORE (Guardar), ESCAPE (Cancelar), OUTPUT (Salida), JOG (Cambiar). Los mensajes mostrados en la pantalla de 7 segmentos se indican en un tipo de fuente distinto, ej.: **StorE**, **GPiB**, **trIP** en mayúsculas o minúsculas con el fin de representar los caracteres según se muestran en la pantalla de 7 segmentos.

Encendido, Encendido/Apagado de la salida

El interruptor de corriente está situado en la parte inferior izquierda del panel frontal.

En el encendido, la acción predeterminada es restablecer los ajustes del instrumento a los ajustes que se guardaron automáticamente cuando se apagó, aunque con todas las Salidas desconectadas. Sin embargo, el usuario puede cambiar el ajuste predeterminado, como restablecer Salidas seleccionadas a su estado en el momento del encendido. Consulte la sección Funciones adicionales.

Las salidas CC se conmutan electrónicamente con sus teclas correspondientes ON/OFF. La tecla se enciende cuando la salida está activada. Además, todas las salidas se pueden activar y desactivar de forma conjunta con las teclas ALL ON y ALL OFF.

Encendido/Apagado sincrónico de la salida

Si se pulsa ALL OFF en cualquier momento de desconectarán de forma sincrónica todas las salidas que están conectadas. Bajo las mismas condiciones de carga, las salidas se desactivarán normalmente en menos de 1ms entre éstas. La tecla ALL OFF se encenderá en verde cuando todas las salidas están desconectadas. Si se pulsa la tecla ALL ON cuando todas las salidas están desconectadas, se conectarán de forma sincrónica todas las salidas. Las salidas con ajustes y condiciones de carga idénticos se conectarán normalmente en menos de 1 ms entre éstas. Sin embargo, si una salida están ya conectada, al pulsar ALL ON se conectarán las salidas restantes, aunque el retardo de conexión entre las salidas serán de 80 ms, incluso con los mismos ajustes y condiciones de carga.

Teclado

Aquí se describen únicamente los principios de funcionamiento. El ajuste de los parámetros individuales se indica detalladamente en las secciones posteriores.

La consideración principal en el diseño de la interfaz de usuario ha sido que los ajustes de cambio sean lo más 'seguros' posibles (es decir, con un riesgo mínimo de aplicar accidentalmente voltajes excesivos en un sistema final) y que el uso sea sencillo. Esto se ha conseguido solicitando al usuario que confirme (OK) los nuevos ajustes numéricos, con la opción de utilizar ESCAPE en cualquier punto o incluso detener el proceso hasta que se supera el tiempo asignado de funcionamiento y el instrumento regresa a sus valores originales.

Además, un zumbador, teclas iluminadas, indicadores LED y mensajes de pantalla guían o advierten al usuario, de forma que los errores de control se reducen al mínimo. Cuando algunas de estas funciones (ej.: pitidos o indicadores parpadeantes) no sean necesarios por los usuarios habituales, pueden ser desactivadas. Véase la sección 'Funciones adicionales'.

La capacidad para cambiar los ajustes desde el teclado o con los controles Jog está asignada a la Salida 1, Salida 2 o a las dos mediante las teclas 1, 2 o LINK ◀ CONTROL ▶ respectivamente. La tecla (1 ó 2) asociada con la salida seleccionada se enciende para mostrar qué salida está bajo control. En el modo LINK, (ambas teclas están encendidas) las dos salidas se controlan al mismo tiempo, incluyendo algunas operaciones como RANGE, STORE, RECALL y V x A. Las descripciones adicionales indicadas a continuación se aplican a cualquier salida principal o a las dos, al ajuste indicado por el encendido de las teclas ◀ CONTROL ▶.

En condiciones normales, el teclado numérico está desactivado. Si se pulsa una tecla el zumbador emitirá un doble pitido, lo que indicará un acción no permitida. Para ajustar un voltaje o corriente con el teclado, pulse la tecla NUMERIC SET (Ajuste numérico) V o I; la pantalla correspondiente mostrará 0-000V o 0-000A con el dígito a la izquierda de la coma decimal parpadeando. Los dígitos se introducen como respuesta al indicador parpadeante, junto con la coma decimal en el momento adecuado, y la entrada de datos se confirma con la tecla OK. Si no se pulsa OK antes de los 10 segundos de la última tecla numérica, la entrada se cancela y la pantalla regresa a su ajuste original. Si se pulsa ESCAPE en cualquier momento del procedimiento de entrada de datos, la entrada se cancela y la pantalla regresa a su ajuste original.

La tecla OK se utiliza para confirmar la mayoría de entradas del teclado. En todos los demás casos, será la tecla VIEW V/I LIMITS (Ver límites V/I), y al pulsarla hará que la pantalla muestre el voltaje de salida preajustado y el límite de corriente durante 3 segundos. Durante este período parpadeará el indicador LIM en la pantalla.

Al pulsar SHIFT se encenderá la tecla y dará a las teclas numéricas las funciones marcadas encima (ej.: STORE, RECALL, etc.). Cuando se selecciona una función pulsando una de estas teclas, se cancela SHIFT (la tecla SHIFT ya no se enciende). Las pulsaciones de teclas adicionales necesarias para completar la función seleccionada se describen detalladamente en las secciones siguientes. Si no se pulsa ninguna tecla dentro de los 10 segundos para terminar la función, ésta finalizará como si se hubiera pulsado ESCAPE. SHIFT es una tecla conmutable; si se pulsa de nuevo SHIFT cuando se ha seleccionado cancelará SHIFT. SHIFT también se cancela mediante ESCAPE, o pulsando SET V o SET I. Tenga en cuenta que en el modo LINK, los ajustes accedidos por STORE y RECALL son específicos del modo LINK, y se añaden a los ajustes accesibles cuando STORE y RECALL se utilizan en salidas seleccionadas individualmente.

Control Jog (cambio)

El control giratorio jog (cambio) permite aumentar o disminuir el voltaje de salida o el límite de corriente en pasos con una resolución ajustada a través de las teclas JOG SET (Ajuste de cambio). La salida se indica inmediatamente después del ajuste, es decir, no se requiere confirmación mediante OK.

En el encendido, el cambio está siempre apagado. Para cambiar el ajuste de voltaje o corriente, pulse la tecla JOG SET V o I. La tecla se encenderá y el indicador JOG bajo el dígito que se ha modificado por última vez parpadeará. Cuando la tecla JOG SET V o I está encendida, cada vez que se pulsa la tecla V o I desplazará el indicador JOG un dígito a la izquierda; la selección 'retorna', de forma que cuando se ha alcanzado el mayor valor del incremento, la siguiente vez que se pulsa regresará a su valor inferior. La posición predeterminada en el encendido está bajo el dígito menos significativo, es decir, se selecciona el incremento inferior de cambio.

Si se gira el control giratorio de cambio en el sentido de las agujas del reloj o en el sentido contrario, aumentará o disminuirá el dígito seleccionado. Los dígitos a la izquierda del que se cambia aumenta o disminuye automáticamente cuando se alcanza el punto de exceso/insuficiencia de década. Los dígitos a la derecha del que se cambia siguen igual a menos que el paso de cambio supere o no llegue al máximo/mínimo de voltaje, en cuyo caso se ajustan a cero. Por ejemplo, 33,65V se ajusta en 34,65V se ajusta en 35,00V para el régimen 35V y un incremento de cambio de 1V; 0,160A se ajusta en 0,060A se ajusta en 0,001A para una disminución de cambio de 0,1A.

Los pasos que se pueden seleccionar son 1mV, 10mV, 100mV y 1mA, 10mA, 100mA. Si se ha seleccionado el régimen 35V/500mA, los pasos de incremento de corriente son 0,1mA, 1mA, 10mA.

Para desactivar el control giratorio de cambio, pulse la tecla JOG SET OFF. Si se vuelve a seleccionar JOG SET V o I se activará el cambio en la posición del último dígito utilizado. El cambio no se cancela con una entrada numérica ni con ninguna de las funciones SHIFT, aunque está desactivada mientras dicha función está activada.

En el modo de voltaje constante con la salida activada, la pantalla derecha mostrará la corriente real en lugar del límite de corriente. Si se selecciona JOG SET I, el indicador JOG bajo el dígito seleccionado parpadeará a la mitad de velocidad (parpadeo lento). Para observar el efecto de cambiar el límite de corriente, será necesario desactivar la salida (para que la pantalla muestre permanentemente el límite de corriente) o pulsar VIEW V/I LIMITS, lo que hará que se muestre el límite de corriente hasta 3 segundos después de que se termine el movimiento del control de cambio. El parpadeo lento también se utiliza cuando se ha seleccionado JOG SET V. El voltaje real se mostrará porque el suministro está en el límite de corriente.

El ajuste predeterminado de fábrica es que el indicador JOG parpadea bajo el dígito seleccionado durante todo el momento que dicho cambio está seleccionado, de forma que el usuario siempre sabe qué parámetro se puede aumentar o disminuir. Cuando el usuario no considere adecuado que se le recuerde esto, a través de la opción Funciones adicionales puede hacer que parpadee el propio dígito. Por otra parte, cuando el parpadeo es intrusivo, el usuario puede hacer que no parpadee el indicador JOG (excepto cuando se muestra el parpadeo lento).

Pantalla

Las pantallas muestran el voltaje a la izquierda (5 dígitos) y la corriente a la derecha (4 dígitos) para las salidas principales. Estas pantallas de 7 segmentos también se utilizan para mostrar mensajes durante algunos ajustes de funciones (ej.: almacenamiento/recuperación de memoria o ajuste de dirección de control remoto) mediante el 'conjunto de caracteres' limitados que se pueden obtener con una pantalla de 7 segmentos. Estos conjuntos son necesariamente una mezcla de letras en mayúsculas y minúsculas.

Por encima y por debajo de la pantalla de 7 segmentos existen varios indicadores 'secretos hasta que estén encendidos'. A la derecha, por encima de la pantalla actual, están los indicadores que muestran el régimen de funcionamiento seleccionado: 35V/3A, 15V/5A o 35V/500mA. Los indicadores se encienden bajo el régimen impreso inmediatamente por encima de ellos y, en el caso del régimen 35V/500mA, el indicador tiene la marca mA para destacar que la pantalla de corriente muestra ahora mA. Los otros indicadores por encima de la pantalla son los siguientes:

CI, que indica que el instrumento está en modo de corriente constante; LIM, que parpadea cuando se pulsa la tecla VIEW V/I LIMITS para mostrar el voltaje/límite de corriente ajustado en la pantalla; REM, que se enciende cuando el instrumento se controla desde una interfaz remota (sólo XDL 35-5TP).

Debajo de los tres dígitos menos significativos de las pantallas de voltaje y corriente están los indicadores JOG; el indicador correspondiente parpadea cuando se utiliza la función Jog (cambio). Véase la sección Control Jog (cambio) anterior.

Funcionamiento manual

Los nuevos usuarios deben leer el capítulo Funcionamiento inicial que describe los principios de funcionamiento del teclado y el control giratorio Jog (cambio). Los párrafos siguientes muestran el funcionamiento independiente de las Salidas principales. Para seleccionar qué salida se va a controlar por el teclado/controles Jog, en primer lugar es necesario seleccionar dicha salida pulsando la tecla correspondiente ◀ CONTROL ▶ (1 o 2). La tecla se ilumina para mostrar que es la salida seleccionada.

Las características adicionales disponibles en el modo LINK (ambas Salidas principales seleccionadas) se describen en la sección Salidas principales – Modo Enlace que se describe más adelante en este manual.

Voltaje ajustado

La pantalla izquierda muestra el voltaje ajustado con una resolución de 1mV, excepto cuando el instrumento está en modo de corriente constante (CI). En el modo CI, se mostrará el voltaje de salida real (que será inferior al voltaje ajustado) y la resolución de pantalla será de 10 mV. El dígito menos significativo (resolución de 1 mV) siempre se muestra como cero.

El voltaje se puede ajustar directamente desde el teclado numérico; pulse la tecla NUMERIC SET V, introduzca el nuevo valor con las teclas numéricas y confírmelo con OK. Los principios básicos de la entrada de datos con el teclado se describen en el capítulo Funcionamiento inicial, el cual debe ser leído por los nuevos usuarios.

Cuando se pulsa SET V la pantalla muestra 0.000. A continuación deberá introducir un nuevo voltaje (ej.: 12,345V se introduce como 1, 2, ., 3, 4, 5) y confirmarlo con OK. La posición de la coma decimal en la pantalla es fija para reducir el riesgo de introducir un valor incorrecto. Como consecuencia, y con el fin de evitar tener que introducir ceros iniciales (ej.: 2,345V se introduce como 2, ., 3, 4, 5, OK), los números situados a la izquierda de la coma decimal son ligeramente diferentes a los números a la derecha de la coma decimal durante la introducción de números. Esto se hace evidente durante la introducción de números.

El ajuste mínimo de voltaje es de 0,000V; el ajuste máximo es de 35,000V (15,000V en el régimen 15V/5A).

Si se pulsa OK en cualquier momento, se ajustará el voltaje introducido con todos los dígitos restantes ajustados en cero, ej.: 1, 2, ., 3, OK ajustará 12,300V; 1, OK ajustará 1,000V. Si se pulsa OK inmediatamente después de SET V (mientras la pantalla muestra 0.000V), ajustará 0,000V.

Si se pulsa ESCAPE en cualquier momento durante la secuencia, o no se pulsan más teclas después de 10 segundos de pulsar la anterior, la pantalla regresará a su lectura original antes de pulsarse SET V.

Si se introduce un voltaje fuera del régimen máximo (incluso intentar introducir 3 dígitos antes de la coma decimal) o se intenta introducir más de 5 dígitos, hará que el zumbador emita dos pitidos. La última acción de tecla será ignorada.

El voltaje también se podrá ajustar con el control de cambio (Jog). Si se pulsa JOG SET V se encenderá la tecla V y parpadeará el indicador JOG bajo el dígito que se haya cambiado por última vez. Mientras esté encendida la tecla V, cada vez que se pulse moverá el indicador JOG un dígito a la izquierda. La selección 'retorna', de forma que cuando se alcance el valor más alto del incremento, la siguiente vez que se pulse cambiará al más bajo. La posición predeterminada en el encendido está bajo el dígito menos significativo, es decir, se selecciona el incremento de cambio más bajo. Los intervalos de cambio que se pueden seleccionar son 1mV, 10mV y 100mV.

Con el cambio (jog) activado, el voltaje de salida se puede aumentar o disminuir con el control giratorio de cambio con una resolución de paso indicada por la posición del indicador JOG parpadeante. La salida se indica inmediatamente después del ajuste, es decir, no se requiere confirmación mediante OK. Si la salida se ajusta en modo de corriente constante (el indicador CI parpadea) la pantalla izquierda mostrará el voltaje real, no el voltaje ajustado. Si se selecciona JOG SET V, el indicador JOG bajo el dígito seleccionado parpadeará a mitad de velocidad

(parpadeo lento). Para observar el efecto de cambiar el voltaje ajustado, será necesario desconectar la salida (para que la pantalla muestre permanentemente el voltaje ajustado) o pulsar VIEW V/I LIMITS lo que provoca que se muestre el voltaje ajustado hasta 3 segundos después de que se detenga el movimiento del control de cambio (jog).

Tenga en cuenta que en el modo de corriente constante, el voltaje real se mide y muestra solamente con una resolución de 10mV; el dígito de 1mV muestra permanentemente cero.

Se pueden obtener más detalles del control de cambio en el capítulo Funcionamiento inicial.

Límite de corriente ajustado

Con la salida desactivada, la pantalla derecha muestra el límite de corriente con una resolución de 1mA (0,1mA en el régimen 35V/500mA).

El límite de corriente se puede ajustar directamente desde el teclado numérico; pulse la tecla NUMERIC SET I, introduzca el nuevo valor con las teclas numéricas y confirme con OK. Los principios básicos de la entrada de datos con el teclado se describen en el capítulo Funcionamiento inicial, el cual debe ser leído por los nuevos usuarios.

Cuando se pulsa SET I la pantalla muestra 0,000. A continuación deberá introducir un nuevo voltaje (ej.: 1,234A se introduce como 1, ·, 2, 3, 4,) y confirmarlo con OK. La posición de la coma decimal en la pantalla es fija para reducir el riesgo de introducir un valor incorrecto. Como consecuencia, y con el fin de evitar tener que introducir ceros iniciales (ej.: 0,234A se introduce como ·, 2, 3, 4, OK), los números situados a la izquierda de la coma decimal son ligeramente diferentes a los números a la derecha de la coma decimal durante la introducción de números. Esto se hace evidente durante la introducción de números.

El ajuste mínimo de corriente es de 0,001A (0,1mA en el régimen 500mA); el ajuste máximo es de 3,000A, 5,000A o 500,0mA, según el régimen, es decir, no hay capacidad de desbordamiento.

Si pulsa OK en cualquier momento, se ajustará la corriente introducida con todos los dígitos restantes ajustados en cero, ej.: 1, ·, 2, OK ajustará 1,200A; 1, OK ajustará 1,000A. Si se pulsa OK inmediatamente después de SET V (mientras la pantalla muestra 0·000A), ajustará 0·00IA.

Si se pulsa ESCAPE en cualquier momento durante la secuencia, o no se pulsan más teclas después de 10 segundos de pulsar la anterior, la pantalla regresará a su lectura original antes de pulsarse SET I.

Si se introduce un voltaje fuera del régimen máximo (incluso intentar introducir 2 dígitos antes de la coma decimal) o se intenta introducir más de 4 dígitos, hará que el zumbador emita dos pitidos. La última acción de tecla será ignorada.

El límite de corriente también se puede ajustar con el control de cambio (Jog). Si se pulsa JOG SET I se encenderá la tecla I y parpadeará el indicador JOG bajo el dígito que se haya cambiado por última vez. Mientras esté encendida la tecla I, cada vez que se pulse moverá el indicador JOG un dígito a la izquierda. La selección 'retorna', de forma que cuando se alcance el valor más alto del incremento, la siguiente vez que se pulse cambiará al más bajo. La posición predeterminada en el encendido está bajo el dígito menos significativo, es decir, se selecciona el incremento de cambio más bajo. Los intervalos de cambio que se pueden seleccionar son 1mA, 10mA y 100mA (0,1mA, 1mA y 10mA en el régimen 35V/500mA).

Con el cambio (jog) activado, el límite de corriente se puede aumentar o disminuir con el control giratorio de cambio con una resolución de paso indicada por la posición del indicador JOG parpadeante. La salida se indica inmediatamente después del ajuste, es decir, no se requiere confirmación mediante OK. La salida en la pantalla derecha muestra la corriente real, no el límite de corriente (excepto en el modo de corriente constante). Si se selecciona JOG SET I, el indicador JOG bajo el dígito seleccionado parpadeará a mitad de velocidad (parpadeo lento). Para observar el efecto de cambiar el límite de corriente ajustado, será necesario desconectar la salida (para que la pantalla muestre permanentemente el voltaje ajustado) o pulsar VIEW V/I LIMITS, lo que provoca que se muestre el límite de corriente ajustado hasta 3 segundos después de que detenga el movimiento del control de cambio (jog).

Salida de corriente instantánea

El control de límite de corriente se puede ajustar para limitar la corriente de salida continua a niveles de hasta 1mA (0,1 mA en el régimen 500mA). Sin embargo, comúnmente a todos los suministros de corriente en banco de precisión, un condensador está conectado a la salida para mantener la estabilidad y una respuesta transitoria correcta. Este condensador se carga en el voltaje de salida, y el cortocircuitado de la salida generará un impulso de corriente cuando el condensador se descarga, lo cual es independiente del ajuste del límite de corriente.

Selección de régimen

El instrumento incorpora tres regímenes: 35V/3A, 15V/5A y 35V/500mA. El régimen seleccionado se muestra con un indicador encendido debajo del título correspondiente situado en el lateral superior derecho del instrumento. Cuando está seleccionado el régimen 35V/500mA, el texto del indicador es mA para indicar que el medidor de corriente muestra ahora miliamperios y no amperios.

Para cambiar el régimen, pulse SHIFT seguido de ◀ RANGE o RANGE ▶ ; cada vez que se pulsa ◀ RANGE se seleccionará el siguiente régimen a la izquierda; cada vez que se pulsa RANGE ▶ se seleccionará el siguiente régimen a la derecha. No hay 'retorno'. Cuando se cambia el régimen, el indicador que representa el nuevo régimen y la tecla OK parpadearán. Al pulsar OK se ajustará el nuevo régimen. Para salir sin cambiar el régimen, pulse ESCAPE. Si se pulsa otra tecla en el modo de cambio de régimen, el zumbador emitirá dos pitidos y no se realizará ninguna otra acción. Si no se pulsa OK antes de los 10 segundos desde que se pulsó por última vez la tecla de cambio de régimen, la selección de régimen no cambiará.

El régimen sólo se puede cambiar cuando la salida está desconectada. Si se pulsan las teclas ◀ RANGE o RANGE ▶ con la salida activada, parpadeará la tecla ON/OFF de salida (así como la tecla OK). La salida se puede desconectar con la tecla ON/OFF y el régimen se puede cambiar pulsando OK, o bien se puede pulsar OK directamente, en cuyo caso la salida se desconecta automáticamente y se puede cambiar el régimen.

Si un cambio de régimen provoca que un voltaje o límite de corriente sobrepase el máximo correspondiente del nuevo régimen, el cambio de régimen se aceptará, aunque el ajuste se igualará al máximo del nuevo régimen.

Tenga en cuenta que el ajuste de OVP no cambia cuando se cambia el régimen (ej.: un ajuste de OVP de 38V permanece válido en el régimen 15V). Si es necesario, el usuario podrá cambiar de forma independiente el ajuste de OVP.

Conexión a la carga

La carga debe conectarse a los terminales OUTPUT positivo (rojo) y negativo (negro). Los dos son totalmente libres y se pueden conectar a la toma de tierra.

Detección remota

El instrumento tiene una impedancia de salida muy baja aunque, inevitablemente, ésta aumenta por la resistencia de los cables de conexión. En corrientes elevadas, esto puede ocasionar diferencias significativas entre el voltaje primario indicado y el voltaje real de carga (por ejemplo, dos cables de conexión de 20mΩ disminuirán 0,2V a 5 Amps). Este problema se puede minimizar utilizando cables de conexión cortos y gruesos, aunque cuando sea necesario se puede solucionar completamente utilizando la capacidad de detección remota.

Esto requiere conectar los terminales de detección a la salida en la carga en lugar de en la fuente. Introduzca los cables en los terminales de muelle REMOTE SENSE y conéctelos directamente en la carga.

Seleccione la detección remota pulsando SHIFT, SENSE. La tecla OK parpadea y la luz situada por encima de los terminales de detección remota se encienden para mostrar que se seleccionará la detección remota cuando se pulsa OK. Pulse OK para confirmar y ESCAPE para salir sin cambiar el estado. La detección remota se desactiva pulsando de nuevo SHIFT, SENSE. La tecla OK parpadea y la luz de detección remota se apaga para indicar que la detección remota se

restablecerá cuando se pulse OK. Pulse OK para confirmar y ESCAPE para salir sin cambiar el estado.

Para evitar la inestabilidad y problemas de respuesta transitoria, se debe tener cuidado para garantizar un correcto acoplamiento entre cada salida y cable de detección. Esto se puede realizar uniendo los dos cables o utilizando un cable coaxial blindado (detección a través del interior). También puede ser ventajoso instalar un condensador electrolítico directamente en el punto de conexión de carga.

La caída de voltaje en cada cable de salida no debe ser superior a 0,5 voltios.

El XDL 35-5TP tiene terminales de salida y detección en el panel posterior para cuando se utilice el instrumento en un soporte. Los terminales de detección del panel posterior siempre se deben utilizar con las conexiones de salida del panel posterior.

Desconexión por error de conexión de la detección

La salida se desconectará si el voltaje entre un terminal de salida y su correspondiente terminal de detección sobrepasa aproximadamente 1V. Esto tendrá lugar si los cables de detección se conectan en la carga en la salida incorrecta o si se intenta extraer corriente de los cables de detección.

Si los terminales de detección están conectados incorrectamente de esta forma, la pantalla muestra el mensaje **SENSE trip** y la salida se desconecta. Si se pulsa ESCAPE en este punto se borrará el mensaje y la pantalla mostrará el voltaje preajustado y el límite de corriente. Cuando se haya corregido la causa de la desconexión, la salida se puede conectar de nuevo.

Conexión en serie o paralelo con otras salidas

Las salidas de alimentación son totalmente libres y se pueden utilizar en serie con otras unidades de alimentación para generar voltajes elevados de hasta 300 V CC.

El voltaje máximo admisible entre cualquier terminal y la toma de tierra () es de 300 V CC.

¡ATENCIÓN! Estos voltajes son muy peligrosos y se debe tener mucho cuidado de proteger los terminales de salida para este uso. Bajo ninguna circunstancia se deben tocar los terminales de salida cuando se conecta la unidad para dicho uso. Todas las conexiones en los terminales se deben hacer con la alimentación desconectada en todas las unidades.

Debe tenerse en cuenta que la unidad sólo puede generar corriente y no puede absorberla, por lo que las unidades no se pueden conectar en serie en antifase.

La unidad se puede conectar en paralelo con otras unidades para generar corrientes más grandes. Cuando se conecten varias unidades en paralelo, el voltaje de salida será igual que el de la unidad con el mayor ajuste de voltaje de salida, hasta que la corriente extraída sobrepase su ajuste de límite de corriente; en este punto la salida disminuirá hasta el siguiente ajuste más alto y así sucesivamente. En el modo de corriente constante, las unidades se pueden conectar en paralelo para ofrecer una corriente igual a la suma de los ajustes de límite de corriente.

Tenga en cuenta que los terminales de salida tienen un régimen máximo de 15A. Si se utilizan varias salidas en paralelo para generar corrientes más grandes que ésta, la conexión se debe realizar en un punto separado, y no en uno de los terminales.

Protección de sobrevoltaje

La protección de sobrevoltaje (OVP) se puede ajustar entre 1,0 V y 40 V. Si el voltaje de salida sobrepasa la OVP ajustada, la salida se cerrará automáticamente (normalmente a los 100µs), evitándose así daños en el circuito que se está comprobando. El circuito de OVP ofrecerá protección contra ajustes de voltajes excesivos accidentales desde el panel frontal o a través de las interfaces de control remoto, contra voltajes externos en los terminales de salida, o contra un fallo en los circuitos de control del propio instrumento.

Para ajustar la OVP, pulse SHIFT, OVP; el indicador JOG con el paso 100mV parpadeará y el control giratorio de cambio (jog) se podrá utilizar para aumentar o disminuir el ajuste de OVP en

pasos de 100mV. Pulse OK para confirmar el nuevo ajuste. Para salir sin introducir un nuevo valor, pulse ESCAPE. El ajuste predeterminado de fábrica es 40,0V.

Si se desconecta la OVP, la pantalla mostrará el mensaje **OVP trip** y la salida se desconectará. Si se pulsa ESCAPE en este punto, se borrará el mensaje y la pantalla mostrará el voltaje preajustado y el límite de corriente. Cuando se haya eliminado la causa del OVP (o se haya cambiado el límite de OVP), la salida se podrá conectar de nuevo.

Tenga en cuenta que el ajuste de OVP no cambia cuando se cambia el régimen (ej.: un ajuste de OVP de 38V permanece válido en el régimen 15V). Si es necesario, el usuario podrá cambiar de forma independiente el ajuste de OVP.

También es posible y válido ajustar la OVP por debajo del voltaje ajustado. Si el suministro está en modo de corriente constante, el voltaje de salida estará por debajo del voltaje ajustado. La OVP se puede ajustar de forma que esté por encima del voltaje real de salida y por debajo del voltaje ajustado. Esto se puede utilizar para desconectar la salida bajo una condición de fallo que ha ocasionado un aumento de la impedancia de carga y un aumento consiguiente del voltaje real de salida por encima del punto de OVP.

Protección de sobrecorriente

La protección de sobrecorriente (OCP) se puede ajustar entre 0,01A y 5,5A. . Si la corriente de salida sobrepasa la OCP ajustada, la salida se cerrará automáticamente (normalmente a los 35ms).

Para ajustar la OCP, pulse SHIFT, OCP; el indicador JOG con el paso 10mA parpadeará y el control giratorio de cambio (jog) se podrá utilizar para aumentar o disminuir el ajuste de OCP en pasos de 10mA. Pulse OK para confirmar el nuevo ajuste. Para salir sin introducir un nuevo valor, pulse ESCAPE. El ajuste predeterminado de fábrica es 5,50A.

Si se desconecta la OCP, la pantalla mostrará el mensaje **OCP trip** y la salida se desconectará. Si se pulsa ESCAPE en este punto, se borrará el mensaje y la pantalla mostrará el voltaje preajustado y el límite de corriente. Cuando se haya eliminado la causa del OCP (o se haya cambiado el límite de OCP), la salida se podrá conectar de nuevo.

Al igual que con la OVP, tenga en cuenta que el ajuste de OCP no cambia cuando se cambia el régimen.

También es posible y válido ajustar la OCP por debajo del límite de corriente ajustado. Por ejemplo, el suministro eléctrico se puede utilizar para comprobar repetidamente una unidad bajo prueba, lo cual normalmente exige una corriente máxima de, por ejemplo, 2 amperios. Sin embargo, una unidad bajo prueba que sea defectuosa requerirá una corriente de más de 2 amperios y resultará dañada si se deja en un estado de corriente limitada de 2 amperios. En este caso, el límite de corriente se puede ajustar en 2,1A, por ejemplo, y la OCP se puede ajustar en 2,0A para garantizar que una unidad bajo prueba defectuosa desconectará el suministro eléctrico.

Protección de salida

Además de la OVP y OCP que ofrecen una protección adicional de sobrevoltaje y sobrecorriente, la salida está protegida contra voltajes inversos mediante un diodo. La corriente inversa continua no debe sobrepasar los 3 amperios, aunque las corrientes transitorias pueden ser mucho mayores.

Potencia de salida (V x A)

Si se pulsa SHIFT, V x A, el voltaje muestra el producto del voltaje de salida medido x la corriente medida y la pantalla de corriente muestra **VA**. V x A es una función momentánea, es decir, ofrece una lectura instantánea, no continua, de la potencia de salida. La lectura se mantiene mientras se pulsa la tecla. Al pulsar V x A se cancela SHIFT. Jog se desactiva provisionalmente (y los indicadores JOG se desactivan) durante la visualización de V x A.

Desconexión de temperatura

Si se sobrepasa el límite de seguridad de temperatura interna, por ejemplo, porque se han bloqueado los orificios de ventilación del ventilador, la salida se desconecta y la pantalla mostrará **OTP triP**. Si se pulsa ESCAPE en este punto se ejecutará una de las siguientes acciones:

- i. Si se ha eliminado ya la condición de sobretemperatura, el mensaje se borrará y la pantalla mostrará el voltaje preajustado y el límite de corriente. Si se ha solucionado la causa de la sobretemperatura, la salida se podrá conectar de nuevo.
- ii. Si el instrumento está aún por encima del límite de seguridad de temperatura, el mensaje **OTP triP** parpadeará lentamente hasta que se haya enfriado el instrumento. En este punto la pantalla mostrará de nuevo el voltaje preajustado y el límite de corriente. Si se ha solucionado la causa de la sobretemperatura, la salida se podrá conectar de nuevo.

Salida de alarma

El conector embutido de 2 clavijas en el panel posterior se conecta directamente a un transistor de conmutación NPN optoacoplado (clavija 1 emisor, clavija 2 captador) que se conecta (ej.: 'cierre' de conmutador) según las condiciones especificadas en la sección 'Funciones adicionales' descrita a continuación. El estado predeterminado es de cierre de conmutador para cualquier condición de desconexión (OVP, OCP, SENSE, OTP). El voltaje máximo de circuito abierto admisible en el conmutador es de 30 V CC y la corriente nominal absorbida para el cierre del conmutador es de 1mA.

Ajustes de almacenamiento

El instrumento puede almacenar 10 configuraciones para cada salida en memoria no volátil. Los parámetros son régimen, voltaje, límite de corriente, OVP y OCP. El estado de salida y el ajuste de detección remota no se almacenan.

Para almacenar una configuración, pulse SHIFT, STORE, número de memoria., OK; el número de memoria es cualquier tecla entre 0 y 9.

Después de pulsar SHIFT, STORE, la pantalla muestra **Store** - . La función SHIFT se cancela (la luz se apaga). En este punto, si se pulsa una tecla numérica se mostrará dicho número en lugar del signo - y mostrará **E** (memoria vacía) o **F** (memoria llena) junto al número, ej.: **Store 1.E**, **Store 2.F** . Se podrá comprobar cualquier número de memorias pulsando un número después del otro (es decir, sin tener que pulsar SHIFT, STORE cada vez) antes de confirmar la selección con la tecla OK. Una memoria completa se puede sobrescribir con los nuevos ajustes. En cualquier momento antes de pulsar la tecla OK, se puede salir de la función de almacenamiento sin guardar un ajuste pulsando ESCAPE o esperando 10 segundos desde la última entrada de datos.

Eliminar los ajustes almacenados

Cualquier memoria se puede reajustar en 'vacía' de la forma siguiente: seleccione la memoria pulsando SHIFT, STORE, número de memoria.; A continuación pulse **•** . La pantalla muestra **dELEt** en lugar de **Store** , ej.: **dELEt 2.F** Al pulsar OK se eliminará el contenido de la memoria.

Ajustes de recuperación

Para recuperar un ajuste, pulse SHIFT, RECALL, número de memoria., OK; el número de memoria es cualquier tecla entre 0 y 9. Después de pulsar SHIFT, STORE, la pantalla muestra **rECAL** -. La función SHIFT se cancela (la luz se apaga). En este punto, si se pulsa cualquier tecla de 0 a 9 se previsualizarán los ajustes de voltaje y corriente de dicho número de memoria. Los ajustes parpadean para indicar el modo de previsualización.

Se puede previsualizar cualquier número de memorias pulsando un número después del otro (es decir, sin tener que pulsar SHIFT, RECALL cada vez) antes de confirmar la selección con la tecla

OK. Las memorias vacías vienen indicadas por el parpadeo de – en todas las posiciones de dígitos. En cualquier momento antes de pulsar la tecla OK, se puede salir de la función de recuperación sin recuperar un ajuste pulsando ESCAPE o esperando 10 segundos desde la última entrada de datos.

Los ajustes se pueden recuperar con la salida activada o desactivada. Sin embargo, si el ajuste recuperado implica un cambio de régimen, la salida se desconectará para evitar cualquier 'perturbación'. Después de pulsar SHIFT, RECALL, número de memoria, la tecla ON/OFF parpadeará (junto con la tecla OK) si la recuperación implica un cambio de régimen. La salida se puede desconectar con la tecla ON/OFF y la recuperación se podrá completar pulsando OK, o bien se puede pulsar OK directamente, en cuyo caso la salida se desconecta automáticamente y se completará la recuperación.

Funciones adicionales

El usuario puede ajustar variaciones de algunas funciones predeterminadas de fábrica utilizando la opción de funciones adicionales. Cada cambio de función, que se detallan en la lista siguiente, se accede pulsando SHIFT, #, nn, donde nn es el número de 2 dígitos de la lista; la pantalla cambia a **HASH No. _** tras SHIFT, # y el zumbador emitirá un pitido de confirmación cuando se haya introducido el número de 2 dígitos. Como se indica en el primer párrafo de esta sección, las funciones # se pueden configurar de forma independiente (es decir, de forma diferente) para cada salida principal. Sin embargo, tenga en cuenta que las funciones #02, #03 y #21 que se aplican a la Salida auxiliary sólo se pueden ajustar cuando ◀ CONTROL ▶ se asigna a la Salida 1.

| Nº de código | Función |
|--------------|--|
| 00 | Salida principal siempre desactivada en el encendido (ajuste predeterminado de fábrica) |
| 01 | El estado de la Salida principal en el encendido es el mismo que cuando se apagó por última vez |
| 02 | Salida auxiliar siempre desactivada en el encendido (ajuste predeterminado de fábrica). Se ajusta con el control asignado a la Salida 1. |
| 03 | El estado de la Salida auxiliar en el encendido es el mismo que cuando se apagó por última vez. Se ajusta con el control asignado a la Salida 1. |
| 20 | Salida de alarma 'abierta' para la Salida principal desactivada, 'cerrada' para la Salida principal activada |
| 21 | Salida de alarma 'cerrada' cuando la Salida auxiliar está en el Límite de corriente. Se ajusta con el control asignado a la Salida 1; se aplica sólo a la alarma de la Salida 1. |
| 22 | Salida de alarma 'cerrada' cuando se produce una desconexión de sobretensión |
| 23 | Salida de alarma 'cerrada' cuando se produce una desconexión de detección |
| 24 | Salida de alarma 'cerrada' cuando se produce una desconexión de sobrecorriente |
| 25 | Salida de alarma 'cerrada' cuando se produce una desconexión de sobrevoltaje |
| 26 | Salida de alarma 'cerrada' cuando se produce cualquier desconexión (ajuste predeterminado de fábrica) |
| 30 | Zumbador desconectado |
| 31 | Zumbador conectado (ajuste predeterminado de fábrica). Un solo pitido indica la confirmación y un pitido doble indica una entrada de datos incorrecta. |

- 40 El dígito de cambio (jog) parpadea; el indicador JOG sólo parpadea cuando el cambio está 'oculto'
- 41 El indicador JOG parpadea siempre, excepto cuando está 'oculto' (ajuste predeterminado de fábrica),
- 42 El indicador JOG no parpadea, excepto cuando está 'oculto' (parpadeo lento)
- 91 Carga los parámetros de calibración predeterminados. Consulte el Manual de mantenimiento.
- 92 Muestra el número de versión de firmware en la pantalla
- 93 Ajusta estos ajustes de número al valor predeterminado de fábrica
- 99 Accede al modo de calibración. Consulte el manual de mantenimiento.

Ajustes predeterminados de fábrica

Los ajustes predeterminados de fábrica (que se aplican cuando se enciende el instrumento por primera vez) son los siguientes:

| | |
|----------------------|---|
| Régimen: | 35V/3A |
| Voltaje: | 1,000V |
| Límite de corriente: | 1,000A |
| OVP: | 40V |
| OCP: | 5,5A |
| Salida: | Salida desconectada; Detección local |
| Ajustes de número: | 00 Salida principal siempre desactivada en el encendido |
| | 02 Salida auxiliar siempre desactivada en el encendido (sólo una función # de la Salida 1). |
| | 26 Salida de alarma 'cerrada' cuando se produce cualquier desconexión |
| | 31 Zumbador conectado |
| | 41 El indicador JOG parpadea siempre; parpadeo lento cuando está oculto |
| RS232: | 9.600 baudios (sólo XDL 35-5TP) |
| Dirección: | 11 (sólo XDL 35-5TP) |

Mensajes de error

Los siguientes errores de hardware se indican con el número de error correspondiente en la pantalla. La tecla OK parpadeará y, si se pulsa, el error se ignorará y el funcionamiento continuará de la forma descrita.

| Nº error | Descripción del error | Acción al pulsar OK |
|-----------------|--|---|
| 1 | Las constantes de calibración están dañadas en el encendido | Carga los parámetros de calibración predeterminados |
| 2 | # funciones dañadas en el encendido | Carga los ajustes # predeterminados |
| 3 | Los ajustes de apagado no están cargados correctamente en el encendido | Carga los ajustes de encendido predeterminados de fábrica |

Si se apaga el instrumento con los mensajes de error mostrándose, no se modificarán los ajustes.

Salidas principales– Modo Enlace

El modo Enlace se selecciona pulsando la tecla LINK, y los parámetros principales de las dos Salidas principales se ajustan de forma conjunta; cuando se ha seleccionado el modo Enlace, se encenderán las teclas ◀ CONTROL ▶ (1 y 2) para mostrar que ambas salidas están seleccionadas.

Los párrafos siguientes sólo describen las diferencias entre el funcionamiento independiente y con enlace; los párrafos se deben leer junto con los párrafos correspondientes de la sección Salidas principales.

Funcionamiento del modo con enlace – Descripción general

El control de las dos salidas principales se puede “enlazar” de tal forma que los cambios se apliquen en ambas salidas simultáneamente. Puede haber varias razones para desear hacer esto:

1. Conexión en serie o paralelo

Es posible que el usuario desee crear una salida con el doble del voltaje o de la capacidad de corriente. Consulte la sección ‘Conexión en serie o en paralelo con otras salidas’ en la página 152. El modo con enlace ofrece un medio cómodo para controlar las dos salidas cuando están conectadas en serie o en paralelo.

2. Control de voltajes (o corrientes)

En el modo enlace, el Ajuste Numérico ajustará voltajes y/o corrientes iguales en las dos salidas. El control de las salidas se puede enlazar con voltajes y/o corrientes diferentes ajustadas en las salidas. El uso del control Jog realizará cambios iguales en las dos salidas.

3. Recuperación simultánea de ajustes almacenados

Cada salida tiene su propio conjunto de 10 memorias. Sin embargo, en el modo con enlace, existe disponible un conjunto adicional de 10 memorias que permiten almacenar ajustes para ambas salidas. Los voltajes y las corrientes se pueden ajustar individualmente para cada salida, y el control se puede ajustar en el modo con enlace antes de almacenar. Los ajustes guardados se podrán recuperar en ambas salidas simultáneamente.

Nota:

Los ajustes actuales de la Salida 1 se pueden duplicar en la Salida 2 mediante la función Copiar, antes o después del enlace.

En el modo con enlace, las funciones de control están limitadas a Ajustar Régimen, Ajustar Voltios y Ajustar Corriente (Ajuste Numérico y Ajuste Jog), además de Almacenar y Recuperar. OVP, OCP y Dirección no se pueden cambiar mientras se está en el modo con enlace.

El Control de activación/desactivación de cada salida es individual cuando se está en el modo con enlace. Para activar/desactivar las salidas de forma conjunta, se deben utilizar los botones de Control de Multisalida, los cuales son independientes del modo con enlace.

Selección del modo Enlace

La única limitación cuando se selecciona el modo Enlace es que ambas Salidas principales deben estar ajustadas con el mismo régimen; en particular, las salidas se pueden conectar incluso si sus ajustes de voltaje de salida y de límite de corriente son diferentes. Si se pulsa LINK cuando se ajustan regímenes diferentes, los zumbadores sonarán dos veces y el indicador de régimen de la salida no seleccionada anteriormente parpadeará durante 2 segundos.

Al seleccionar el modo Enlace se cancelará cualquier selección Jog (cambio) ajustada en la Salida principal.

Ajustar voltaje y ajustar límite de corriente

Ajustar el voltaje de salida y el límite de corriente mediante la entrada numérica o el control Jog es prácticamente lo mismo que para las salidas en el modo independiente. Si se utiliza la entrada numérica, las dos salidas se ajustarán con el mismo nuevo voltaje y límite de corriente, con independencia de los ajustes realizados cuando se conectaron las salidas. Tenga en cuenta que puede haber una diferencia de tiempo limitada entre los cambios de las dos salidas, incluso

si se cambian desde el mismo ajuste inicial; normalmente, esta diferencia de tiempo no debe ser superior a 40ms (80ms máx). Sin embargo, si los ajustes han sido diferentes cuando se conectaron las salidas, al cambiar el voltaje o el límite de corriente con el control Jog se mantendrá la diferencia entre las dos salidas aumentando/disminuyendo cada salida por el mismo intervalo, es decir, las salidas se 'seguirán'. El 'seguimiento' se mantendrá hasta que una de las salidas alcance el límite de régimen. En este momento, cada intervalo de Jog hará que suene el zumbador para dicha salida (aunque la salida seguirá en el límite de régimen), mientras que la salida de régimen interior seguirá cambiando, es decir el 'seguimiento' se detiene y las salidas convergen con cada intervalo sucesivo. Si se invierte el incremento/disminución, la nueva diferencia (más pequeña) entre las salidas se mantiene hasta que una salida alcance el límite de régimen en la otra dirección.

Si se sale del modo Enlace mientras Jog está seleccionado, Jog seguirá estando activo en la salida seleccionada.

Guardar y recuperar

En el modo Enlace, existen disponibles 10 memorias no volátiles, que son independientes de las 10 memorias de cada salida en el modo independiente. Los parámetros almacenados son Régimen, Voltaje, Límite de corriente, OVP y OCP. El funcionamiento en el modo Enlace es idéntico al descrito en las secciones Guardar, Recuperar y Eliminar de la sección Salidas principales; los mensajes de pantalla mostrados en estas secciones se muestran en ambas pantallas cuando el modo Enlace está seleccionado.

OVP, OCP y Dirección

OVP, OCP y Dirección sólo se pueden ajustar cuando un canal se selecciona independientemente. Los ajustes se mantienen cuando está seleccionado el modo Enlace; OVP y OCP se pueden guardar como parte de una configuración del modo Enlace, pero no así el ajuste de Detección. Si se intenta cambiar OVP, OCP o Dirección cuando está ajustado el modo Enlace, la pantalla de la Salida 1 parpadeará con el mensaje `SELct 1or2` para recordar al usuario que estos parámetros deben ajustarse independientemente para cada canal. Pulse ESCAPE para cancelar la pantalla parpadeante, asigne el control al canal correspondiente con las teclas `◀ CONTROL ▶ 1 o 2 keys` y ajuste OVP, OCP, o Dirección, de la forma descrita para las salidas individuales.

Potencia de salida

Al pulsar SHIFT, V x A se mostrará simultáneamente la potencia de salida de ambas salidas en sus pantallas correspondientes (V x A en la pantalla de voltaje, **UA** en la pantalla de corriente), de forma idéntica a la descrita para el funcionamiento independiente.

Funciones adicionales

Las funciones # descritas en la sección Funciones adicionales de la sección Salidas principales también se puede ajustar cuando el instrumento está en el modo Enlace; ambas pantallas mostrarán `HASH No. _` después de pulsar SHIFT, #. Cualquier función # ajustada de esta forma será la misma para ambas salidas. Sin embargo, las funciones # pueden ser diferentes para cada salida si se ajustan individualmente cuando el modo independiente está ajustado, y se mantendrá la selección de funciones para cada salida incluso cuando las salidas están en el modo Enlace.

Tipo de bus y Dirección/Velocidad en baudios

El Tipo de bus, la Dirección y la Velocidad en baudios sólo se pueden seleccionar cuando se asigna el control a la Salida 2. La pantalla de la Salida 2 se utiliza para mostrar los parámetros que se están ajustando, de forma idéntica a la descrita en el funcionamiento independiente. Si se intenta ajustar estos parámetros en el modo Enlace, o con la Salida 1 seleccionada, la pantalla de la Salida 1 parpadeará con el mensaje `SELct P.U. _2` como instrucción para seleccionar la Salida 2. Pulse Escape para borrar el indicador de pantalla (o espere a que se supere el tiempo asignado), y luego seleccione la Salida 2.

Salidas principales– Función Copiar

Los ajustes principales de la Salida 1 se pueden copiar a la Salida 2 mediante la función Copiar, con independencia del modo de ◀ CONTROL ▶ (1, 2 o LINK) seleccionado actualmente. Los parámetros copiados son Régimen, Voltaje, Límite de corriente, OVP y OCP; el estado de Dirección, ON/OFF, Jog y los contenidos almacenados con Guardar no se copian.

Si se pulsa SHIFT, COPY 1>2, los ajustes de Voltaje, Corriente y Régimen de la Salida 1 parpadearán en las pantallas de la Salida 2. La tecla OK también parpadeará. Al pulsar OK confirma e ejecuta la función Copiar; al pulsar ESCAPE en este momento se saldrá de la función.

Si la función Copiar ocasiona un cambio de régimen en la Salida 2, y si la Salida 2 está activada (ON), la tecla ON/OFF de la Salida 2 también parpadeará y la salida se desactivará (OFF) cuando se pulse la tecla OK. La salida también se puede desactivar directamente con su tecla ON/OFF antes de pulsar OK.

Salida auxiliar

La salida AUXILIARY puede proporcionar hasta 1 amperio a 2,7V, 3,3V o 5,0V. El voltaje de salida se ajusta con el conmutador deslizante del panel frontal y el límite de corriente se ajusta en ≥ 1 amperio. Los terminales de salida están reproducidos en el panel trasero (terminales sin rosca) para su utilización en soporte; No existe función de detección remota. La salida se activa y desactiva electrónicamente mediante el conmutador del panel frontal o a través de una de las interfaces de control remoto; ninguna otra función se puede controlar remotamente en esta salida. El Límite de corriente se indica cuando el voltaje de salida ha disminuido $\sim 100\text{mV}$. En este punto, la salida generará normalmente 1,5A y mantendrá esta corriente mientras la impedancia de carga se reduce a un cortocircuito. Si se mantiene un cortocircuito, la salida producirá al final una interrupción térmica.

Funcionamiento Remoto (sólo XDL 35-5TP)

El instrumento se puede controlar a distancia mediante sus interfaces RS232, USB o GPIB. Cuando se usa la RS232 puede ser bien el único instrumento conectado al controlador o ser parte de una cadena direccionable RS232 que permite que hasta 32 instrumentos sean direccionados desde un puerto RS232.

La interfaz USB funciona internamente a través de la interfaz RS232 del instrumento. Por consiguiente, el control remoto USB funciona exactamente como se describe para el uso de RS232 en un solo instrumento, aunque a través del conector USB. El instrumento funciona con una velocidad en baudios máxima (19200) en modo USB. El puerto COM virtual en el ordenador de control, que se configura con el software del controlador suministrado, se debe ajustar con la misma velocidad en baudios. El software del ordenador podrá acceder al instrumento como si estuviera conectado a través del conector RS232. Sin embargo, el puerto USB no se puede utilizar como parte de una cadena RS232 direccionable.

Algunas de las secciones siguientes son generales y se aplican a todos los modos (RS232 de un instrumento, USB, cadena direccionable RS232 y GPIB); otros sólo se refieren a una interfaz o a un modo concreto. Sólo habrá de leer los apartados generales y aquellos que se refieran específicamente al modo de control remoto que desea.

Los comandos remotos y su formato se describen pormenorizadamente en el capítulo Comandos Remotos.

Bus de control, dirección del instrumento y selección de la velocidad en baudios

Para un funcionamiento correcto, cada instrumento conectado a un bus GPIB o cadena RS232 direccionable debe tener asignada una dirección única. Para RS232 direccionables, todos los instrumentos en la cadena deben tener ajustada la misma velocidad en baudios.

Para cambiar los ajustes de interfaz, el modo ◀ CONTROL ▶ debe ajustarse primero en 2 (es decir, sólo está seleccionada la Salida 2).

Pulse SHIFT, Bus Type para mostrar el tipo de bus seleccionado. Para cambiar a otro tipo de bus, desplácese por los tipos disponibles por medio del control giratorio hasta que se muestre el tipo necesario. Pulse OK para seleccionar el tipo que se muestra o ESCAPE para mantener la selección anterior.

Pulse SHIFT, Addr/Baud para mostrar la dirección de bus del instrumento actualmente seleccionado. Si el tipo de bus actualmente seleccionado es RS232 y pulsa de nuevo Addr/Baud, se mostrará la velocidad en baudios actualmente seleccionada. Si pulsa repetidamente se alternará entre los dos ajustes. Para cambiar la dirección, desplácese por las direcciones disponibles por medio del control giratorio hasta que se muestre la dirección. La dirección se puede ajustar entre 1 y 31 inclusive, y la misma dirección se utiliza tanto para GPIB como RS232 direccionable. El ajuste de dirección se ignora en el modo USB. Para cambiar la velocidad en baudios, desplácese por las velocidades disponibles por medio del control giratorio hasta que se muestre la velocidad en baudios. Pulse OK para seleccionar la última dirección y velocidad en baudios o ESCAPE para mantener las selecciones anteriores. Tenga en cuenta que se debe seleccionar el tipo de bus RS232 antes de que pueda seleccionar la velocidad en baudios; la velocidad en baudios está fija a un máximo (19200) para USB.

Funcionamiento Remoto/Local

Al encenderse, el instrumento está en el estado local, con el indicador REM apagado. En este estado se pueden realizar todas las operaciones con el teclado. Cuando el instrumento está direccionado a escuchar y recibe un comando, entra en el estado remoto y REM se enciende. En este estado el teclado queda bloqueado y sólo se procesarán los comandos remotos. El instrumento puede devolverse al estado local pulsando la tecla LOCAL; sin embargo, el efecto de esta acción sólo durará hasta que se vuelva a direccionar el instrumento o reciba otro carácter desde la interfaz, entonces volverá a entrar de nuevo en el estado remoto.

Interfaz RS232

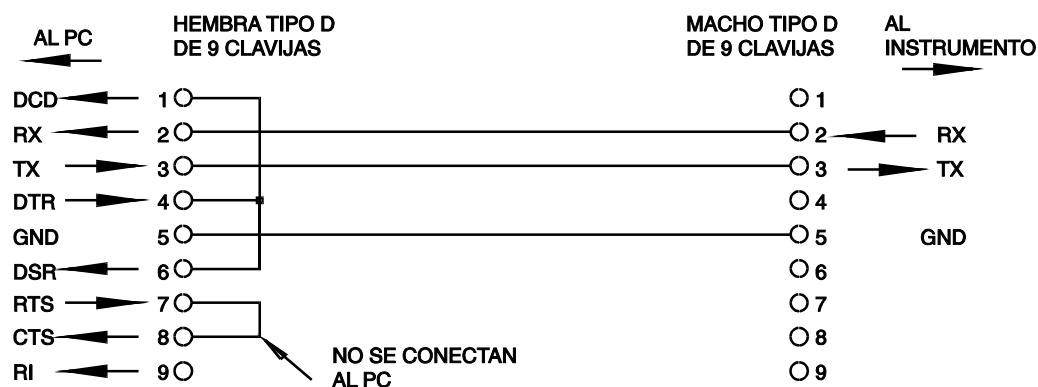
Conector de la interfaz RS232

El conector en serie de tipo D de 9 clavijas de la interfaz se encuentra en la parte trasera del instrumento. Las conexiones de las clavijas se muestran a continuación:

| Clavija | Nombre | Descripción |
|---------|--------|---|
| 1 | - | Sin conexión interna |
| 2 | TXD | Datos transmitidos desde el instrumento |
| 3 | RXD | Datos recibidos en el instrumento |
| 4 | - | Sin conexión interna |
| 5 | GND | Señal a tierra |
| 6 | - | Sin conexión interna |
| 7 | RXD2 | Datos secundarios recibidos (sólo RS232 direccionable) |
| 8 | TXD2 | Datos secundarios transmitidos (sólo RS232 direccionable) |
| 9 | GND | Señal a tierra (sólo RS232 direccionable) |

Conexiones RS232 para Instrumento Único

Para el control remoto de un instrumento único, solo las clavijas 2, 3 y 5 están conectadas al PC. Sin embargo, para el funcionamiento correcto, se deben realizar enlaces en el conector del PC entre las clavijas 1, 4 y 6 y entre las clavijas 7 y 8, ver diagrama. Las clavijas 7 y 8 del instrumento **no** se deben conectar al PC, es decir, no utilice un cable con todos los hilos.

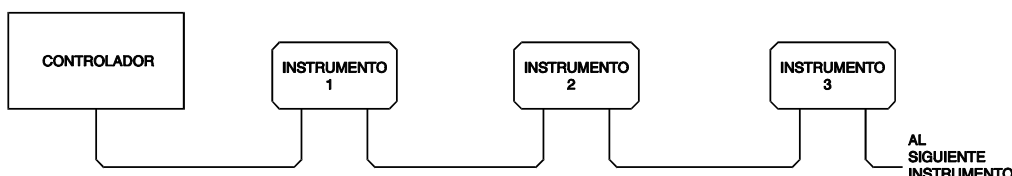


La velocidad en baudios se configura tal y como se ha descrito arriba en Selección de la Dirección y la Velocidad en Baudios; los otros parámetros están fijados, tal y como se indica a continuación:

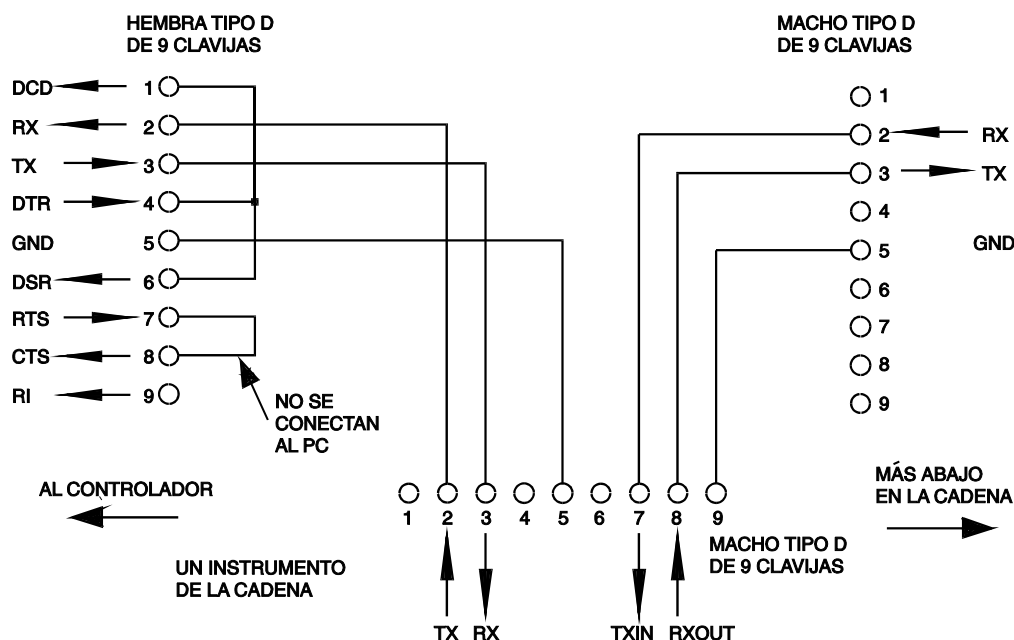
Bits de inicio: 1 Paridad: Ninguna
Bits de datos: 8 Bits de parada: 1

Conexiones RS232 direccionable

Para el funcionamiento en RS232 direccionable las clavijas 7, 8 y 9 del conector del instrumento también se utilizan. Utilizando un montaje con un solo cable, se puede realizar un sistema de conexión de "cadena" entre cualquier número de instrumentos, hasta un máximo de 32, tal y como se muestra a continuación:



La cadena consiste exclusivamente en las líneas de transmitir datos (TXD), recibir datos (RXD) y señal a tierra. No hay líneas de control/establecimiento de comunicaciones. Esto hace que el protocolo XON/XOFF sea esencial y permite la interconexión entre instrumentos que tienen sólo tres hilos. Las conexiones del cable adaptador se muestran a continuación:



Todos los instrumentos en la interfaz se deben configurar a la misma velocidad en baudios y deben activarse, de lo contrario los instrumentos que estén más abajo en la cadena no recibirán datos ni comandos.

Los otros parámetros están fijados, tal y como se indica a continuación:

| | |
|-------------------|-------------------|
| Bits de inicio: 1 | Paridad: Ninguna |
| Bits de datos: 8 | Bits de parada: 1 |

Juego de caracteres de RS232

Dado que se necesita el protocolo de comunicaciones XON/XOFF, sólo se pueden enviar datos en ASCII; no se permiten bloques binarios. Se hace caso omiso del bit 7 de los códigos ASCII, es decir, se supone que es bajo. En los comandos nemónicos, no se hace ninguna distinción entre mayúsculas y minúsculas, que pueden mezclarse con toda libertad. Los caracteres ASCII por debajo de 20H (de espacio) se reservan para el control de la interfaz RS232 direccionable. En el presente manual, 20H, etc. significa 20 en hexadecimal.

Códigos de Control de la Interfaz RS232 Direccionable

Todos los instrumentos pensados para ser utilizados en la interfaz RS232 direccionable utilizan el siguiente conjunto de códigos de control de la interfaz. Los códigos entre 00H y 1FH que no se relacionan aquí con un significado concreto se reservan para su utilización futura y se les hará caso omiso. No se permite mezclar códigos de control de la interfaz dentro de los comandos del instrumento salvo, tal y como se indica más adelante, para los códigos CR y LF y los códigos XON y XOFF.

Cuando se conecta por primera vez, el instrumento entra automáticamente en el modo Non-Addressable (no direccionable). En este modo el instrumento no es direccionable y no responderá a ningún comando de dirección. Esto le permite funcionar como un dispositivo controlable RS232 normal. Este modo se puede bloquear mandando el código de control Lock Non-Addressable (bloqueo no direccionable), 04H. El controlador y el instrumento pueden usar ahora libremente todos los códigos de 8 bit y bloques binarios pero se hace caso omiso de todos los códigos de control de la interfaz. Para volver al modo direccionable, el instrumento se ha de desconectar.

Para activar el modo direccionable una vez que el instrumento se ha conectado, se ha de mandar el código de control Set Addressable Mode (configurar el modo direccionable), 02H. Esto permite a todos los instrumentos conectados a la interfaz RS232 direccionable responder a todos los códigos de control de la interfaz. Para volver al modo Non-Addressable se debe mandar el código de control del modo Lock Non-Addressable lo que inhabilitará el modo direccionable hasta que los instrumentos se desconecten.

Antes de que se mande un comando a un instrumento, éste se ha de direccionar a escuchar mandando el código de control Listen Address, 12H, seguido de un carácter único que tiene los 5 bits inferiores correspondientes a la dirección única del instrumento requerido, p. ej. los códigos A-Z o a-z dan las direcciones 1-26 inclusive, mientras que @ es la dirección 0, etc. Una vez direccionado a escuchar, el instrumento leerá y actuará de acuerdo con los comandos mandados hasta que se cancele el modo escuchar.

Dada la naturaleza asíncrona de la interfaz, es necesario informar al controlador de que un instrumento ha aceptado la secuencia de la dirección de escucha y está listo para recibir comandos. Por lo tanto, el controlador esperará al código Acknowledge, 06H, antes de enviar un comando. El instrumento direccionado proporcionará este Acknowledge. El controlador volverá a intentarlo si no recibe el Acknowledge dentro de 5 segundos.

El modo de escucha se cancelará si se recibe alguno de los siguientes códigos de control de la interfaz:

- 12H Listen Address seguida de una dirección que no pertenece a este instrumento.
- 14H Talk Address para cualquier instrumento.
- 03H Código de control Universal Unaddress.
- 04H Código de control del modo Lock Non-Addressable.
- 18H Universal Device Clear.

Antes de que se pueda leer una respuesta de un instrumento, éste se ha de direccionar a hablar mandando el código de control Talk Address, 14H, seguido de un carácter único que tiene los 5 bits de más abajo correspondientes a la dirección única del instrumento que se requiere, como el código de control de la dirección de escucha de arriba. Una vez direccionado a hablar, el instrumento mandará un mensaje de respuesta si tiene alguno disponible y después abandonará el estado de habla direccionado. Sólo se mandará un mensaje de respuesta cada vez que el instrumento se dirija a hablar.

El modo de habla se cancelará si se recibe alguno de los siguientes códigos de control de la interfaz:

- 12H Listen Address para cualquier instrumento.
- 14H Talk Address seguida de una dirección que no pertenece a este instrumento.
- 03H Código de control Universal Unaddress.
- 04H Código de control del modo Lock Non-Addressable.
- 18H Universal Device Clear.

El modo de habla también se cancelará cuando el instrumento haya terminado de mandar un mensaje de respuesta o cuando no tenga nada que decir.

El código de la interfaz 0AH (LF) es el comando universal, y el terminador de la respuesta debe ser el último código mandado en todos los comandos y será el último código mandado en todas las respuestas.

El código de la interfaz 0DH (CR) se puede usar cuando sea necesario para ayudar a formatear los comandos; todos los instrumentos harán caso omiso de él. La mayoría de instrumentos terminarán las respuestas con CR seguido de LF.

El código de la interfaz 13H (XOFF) puede ser mandado en cualquier momento por el escuchador (instrumento o controlador) para suspender la salida de un hablador. El escuchador debe mandar 11H (XON) antes de que el hablador vuelva a mandar comandos. Éste es el único modo de control de protocolo de comunicaciones soportado por la interfaz RS232 direccionable.

Lista completa de códigos de control de la interfaz RS232 direccionable

- 02H Set Addressable Mode.
- 03H Código de control Universal Unaddress.
- 04H Código de control del modo Lock Non-Addressable.
- 06H Acknowledge; acuse de recibo de la dirección.
- 0AH Line Feed (LF); utilizado como el comando universal y el terminador de respuesta.
- 0DH Carriage Return (CR); código de formato, por lo demás se le hace caso omiso.
- 11H (XON) volver a iniciar la transmisión.
- 12H Listen Address - debe ir seguido de una dirección que pertenezca al instrumento requerido.
- 13H (XOFF) detener la transmisión.
- 14H Talk Address - debe ir seguido de una dirección que pertenezca al instrumento requerido.
- 18H Universal Device Clear.

Interfaz USB

La interfaz USB permite controlar el instrumento utilizando el protocolo RS232 a través del puerto USB de un ordenador. Este control es útil cuando los puertos COM RS232 estándar se utilizan completamente o no hay puertos.

El instrumento se suministra con un disco con controladores de varias versiones de Windows, incluyendo Win98 y 2000. El disco también contiene un archivo de texto con información y detalles del procedimiento de instalación del software.

La instalación del controlador de la interfaz se realiza conectando el instrumento a un PC a través de un cable estándar USB. Las funciones 'plug and play' de Windows reconocerán automáticamente el nuevo hardware que se conecte a la interfaz USB. Si es la primera vez que se realiza la conexión, indique la ubicación de un controlador adecuado. A condición de que se sigan correctamente las indicaciones de Windows, el sistema operativo instalará el controlador correspondiente y establecerá un puerto COM virtual en el PC. El número del nuevo puerto COM dependerá del número de puertos COM que ya existan en el PC. El puerto COM virtual podrá ser controlado por las aplicaciones Windows exactamente igual que un puerto estándar.

Tenga en cuenta que será necesario ajustar la misma velocidad en baudios en el puerto COM que en el instrumento que se controla, exactamente igual que con una conexión estándar RS232.

El controlador seguirá instalado en el PC, de forma que el establecimiento de un puerto COM virtual se realiza automáticamente cada vez que el instrumento se conecte en el futuro al PC a través del puerto USB.

Se crearán puertos COM virtuales adicionales para cada instrumento adicional conectado al PC a través del puerto USB. Cada instrumento tendrá asignado un puerto COM virtual individual cuando se conecte por primera vez, y se asignará el mismo puerto COM cada vez que se conecte el instrumento con posterioridad. El software del PC utilizará el código único incorporado en cada instrumento para vincularlo al mismo puerto COM virtual, con independencia del puerto USB físico en el que está conectado.

También se puede utilizar el comando ADDRESS? para identificar fácilmente qué instrumento está controlando un puerto COM en particular. Aunque la capacidad de direccionamiento se ignora en el funcionamiento del USB, la dirección se puede ajustar aún y utilizarse como un identificador. Ajuste cada instrumento conectado a USB a una dirección diferente y envíe el comando ADDRESS? de cada puerto COM virtual para confirmar qué instrumento está conectado a dicho puerto.

El disco suministrado contiene un programa de desinstalación en caso de que sea necesario utilizarlo.

Interfaz GPIB

El conector GPIB de 24 clavijas se encuentra en el panel trasero del instrumento. Las conexiones de las clavijas son tal y como se especifican en el estándar IEEE 488.1-1987. Además, el instrumento cumple con el estándar IEEE 488.1-1987 y el estándar IEEE 488.2-1987.

Subconjuntos GPIB

El instrumento contiene los siguientes subconjuntos IEEE 488.1:

| | |
|----------------------|-----|
| Source Handshake | SH1 |
| Acceptor Handshake | AH1 |
| Talker | T6 |
| Listener | L4 |
| Service Request | SR1 |
| Remote Local | RL1 |
| Parallel Poll | PP1 |
| Device Clear | DC1 |
| Device Trigger | DT0 |
| Controller | C0 |
| Electrical Interface | E2 |

Manejo de errores del estándar 488.2 – Registro de error de consulta (Query Error Register)

El error UNTERMINATED del estándar IEEE 488.2 (direccionado a hablar sin nada que decir) se maneja del siguiente modo. Si el instrumento está direccionado a hablar y el formateador de respuesta está inactivo y la cola de entrada está vacía, entonces se genera el error UNTERMINATED. Esto hará que el bit del Query Error se configure en el Standard Event Status Register, que se coloque un valor de 3 en el Query Error Register y que el analizador sintáctico se vuelva a reinicializar. Ver el apartado Información de Estado para obtener más detalles.

El error INTERRUPTED del estándar IEEE 488.2 se maneja del siguiente modo. Si el formateador de respuesta está esperando para mandar un mensaje de respuesta y el analizador sintáctico ha leído un <PROGRAM MESSAGE TERMINATOR> o si la cola de entrada contiene más de un mensaje END, entonces el instrumento ha sido INTERRUPTED y se genera el error. Esto hará que el bit del Query Error se configure en Standard Event Status Register, que se coloque un valor de 1 en el Query Error Register y que el formateador de respuestas se reinicialice, limpiando de este modo la cola de salida. El analizador sintáctico empezará entonces a analizar el siguiente <PROGRAM MESSAGE UNIT> de la cola de entrada. Ver el apartado Información de Estado para obtener más detalles.

El error DEADLOCK del estándar IEEE 488.2 se maneja del siguiente modo. Si el formateador de respuesta está esperando para mandar un mensaje de respuesta y la cola de entrada se llena, entonces el instrumento entra en el estado DEADLOCK y se genera un error. Esto hará que el bit del Query Error se configure en Standard Event Status Register, que se coloque un valor de 2 en el Query Error Register y que el formateador de respuestas se reinicialice, limpiando así la cola de salida. El analizador sintáctico empezará entonces a analizar el siguiente <PROGRAM MESSAGE UNIT> de la cola de entrada. Ver el apartado Información de Estado para obtener más detalles.

Sondeo en paralelo GPIB

En este instrumento se ofrecen opciones completas de sondeo en paralelo. El Parallel Poll Enable Register está configurado para que especifique qué bits del Status Byte Register se han de usar para formar el ist mensaje local. El Parallel Poll Enable Register está configurado por el comando *PRE <nrf> y es leído por el comando *PRE?. El valor del Parallel Poll Enable Register es añadido al Status Byte Register; si el resultado es cero, entonces el valor de ist es 0, de lo contrario el valor de ist es 1.

El instrumento también se ha de configurar de modo que el valor de *ist* se pueda devolver al controlador durante la realización de un sondeo. El instrumento es configurado por el controlador mandando un comando Parallel Poll Configure (PPC) seguido de un comando Parallel Poll Enable (PPE). Los bits en el comando PPE se muestran a continuación:

| | | |
|---------|---------|-------------------------------|
| bit 7 = | X | Da igual |
| bit 6 = | 1 | Sondeo en paralelo activado |
| bit 5 = | 1 | |
| bit 4 = | 0 | |
| bit 3 = | Sentido | |
| bit 2 = | ? | Posición del bit de respuesta |
| bit 1 = | ? | |
| bit 0 = | ? | |

Ejemplo. Para devolver el bit RQS (bit 6 del Status Byte Register) como 1 cuando es verdadero y 0 cuando es falso en la posición bit 1 en respuesta a una operación de sondeo en paralelo, mande los siguientes comandos

*PRE 64<pmt>, y a continuación PPC seguido de 69H (PPE)

La respuesta del sondeo en paralelo desde el instrumento será entonces 00H si RQS es 0 y 01H si RQS es 1.

Durante la respuesta del sondeo en paralelo las líneas de la interfaz DIO terminarán respectivamente (terminación pasiva). Esto permite que varios dispositivos compartan la misma posición de bit de respuesta tanto en la configuración wired-AND o wired-OR, ver la norma IEEE 488.1 para más información.

Información de estado

Este apartado describe el modelo de estado completo del instrumento. Fíjese que algunos registros son específicos para la función GPIB del instrumento y tienen un uso limitado en un entorno RS232.

Registro de estado de eventos estándar (Standard Event Status Register) y registro de activación de estado de eventos estándar (Standard Event Status Enable Register)

Estos dos registros están implementados tal y como requiere la norma IEEE Std. 488.2. Todos los bits configurados en el Standard Event Status Register que correspondan a bits configurados en el Standard Event Status Enable Register harán que el bit ESB se configure en el Status Byte Register.

El Standard Event Status Register es leído y borrado por el comando *ESR?. El Standard Event Status Enable Register es configurado por el comando *ESE <nrf> y leído por el comando *ESE?.

- Bit 7 - Power On. Se configura cuando se enciende por primera vez el instrumento.
- Bit 6 - No se usa.
- Bit 5 - Command Error. Se configura cuando se detecta un error de tipo sintáctico en un comando proveniente del bus. El analizador sintáctico se reconfigura y sigue analizando el byte siguiente de la cadena de entrada.
- Bit 4 - Execution Error. Se configura cuando se descubre un error mientras se intenta ejecutar un comando completamente analizado sintácticamente. En el Execution Error Register aparecerá el número de error correspondiente.
 - 1- 99 Indica que se ha encontrado un error de hardware.
 - 116 Se ha solicitado una recuperación de los datos de configuración, pero la memoria especificada no contiene ningún dato.

-
- 117 Se ha solicitado una recuperación de los datos de configuración, pero la memoria especificada contiene datos dañados. Indica un fallo de hardware o daños provisionales en los datos, que se pueden corregir escribiendo de nuevo los datos en la memoria.
 - 120 El valor numérico enviado con el comando era demasiado grande o pequeño. Incluye los números negativos donde sólo se aceptan los números positivos.
 - 123 Se ha solicitado una recuperación de los datos de configuración desde/a un número de memoria no permitido.
 - 124 Se ha solicitado un cambio de régimen, pero los ajustes de corriente de la fuente de alimentación no lo permiten. Véanse las instrucciones de funcionamiento del manual para obtener más detalles.
- Bit 3 - Verify Timeout Error. Se ajusta cuando un parámetro se ajusta en 'verificado' y no se alcanza el valor en 5 segundos, por ejemplo, el voltaje de salida se ralentiza por un condensador grande en la salida.
- Bit 2 - Query Error. Se configura cuando ocurre un error de consulta. En el Query Error Register aparecerá el número de error correspondiente, tal y como se relaciona abajo.
- 1. Error Interrupted
 - 2. Error Deadlock
 - 3. Error Unterminated
- Bit 1 - No se usa.
- Bit 0 - Operation Complete. Se configura en respuesta al comando *OPC.

Registro de estado de eventos límite (Limit Event Status Register) y registro de activación de estado de eventos límite (Limit Event Status Enable Register)

Dos pares de registros están implementados además del IEEE Std.488.2. Cada par consta de un Registro de estado de evento límite (Limit Event Status Register) y un Registro de activación de estado de eventos límite (Limit Status Event Enable Register). El Limit Event Status Register 1 (LSR1) y el Limit Event Status Enable Register 1 (LSE1) se aplican a la salida 1. El Limit Event Status Register 2 (LSR2) y el Limit Event Status Enable Register 2 (LSE2) se aplican a la Salida 2 y a la salida auxiliar. Su finalidad es informar al controlador sobre una entrada y/o salida del estado del límite de corriente o voltaje, almacenando un historial del estado de desconexión de protección desde la última lectura.

Todos los bits ajustados en un Limit Event Status Register que correspondan a los bits ajustados en el Limit Event Status Enable Register que se acompaña harán que se ajuste el bit LIM1 o LIM2 en el Status Byte Register.

Los Limit Event Status Registers 1 y 2 se leen y borran a través de los comandos LSR1? y LSR2? respectivamente. Los Limit Event Status Enable Registers 1 y 2 se ajustan mediante los comandos LSE1<nrf> y LSE2<nrf> y se leen a través de los comandos LSE1? y LSE2? respectivamente.

Limit Event Status Register 1

- Bit 7 - no se usa
- Bit 6 - no se usa
- Bit 5 - Se ajusta cuando existe una desconexión de dirección de salida 1
- Bit 4 - Se ajusta cuando existe una desconexión térmica de salida 1
- Bit 3 - Se ajusta cuando existe una desconexión de sobrecorriente de salida 1
- Bit 2 - Se ajusta cuando existe una desconexión de sobrevoltaje de salida 1
- Bit 1 - Se ajusta cuando la salida 1 entra en el límite de corriente (modo de corriente constante)
- Bit 0 - Se ajusta cuando la salida 1 entra en el límite de voltaje (modo de voltaje constante)

Limit Event Status Register 2

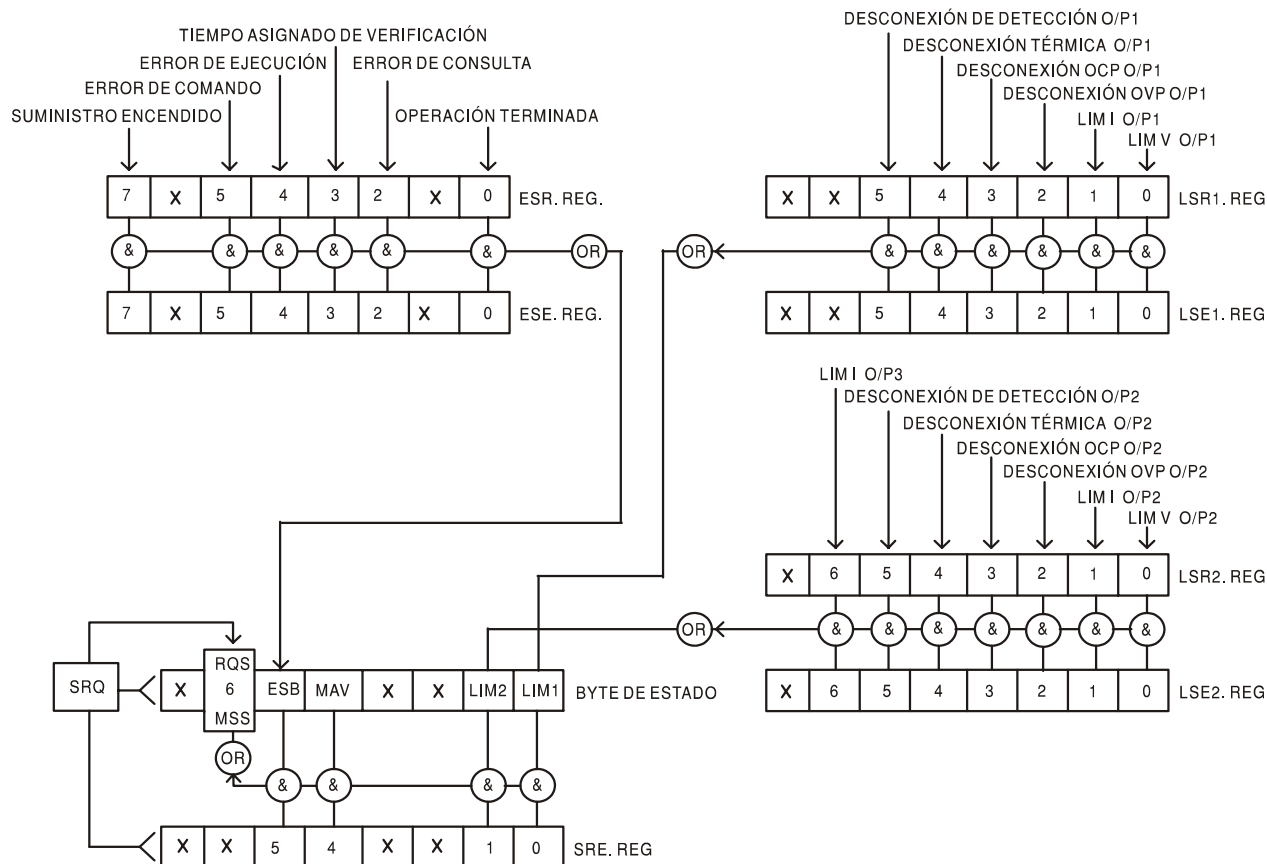
-
- Bit 7 - no se usa
 - Bit 6 - Se ajusta cuando la salida Auxiliar entra en el límite de corriente
 - Bit 5 - Se ajusta cuando existe una desconexión de dirección de salida 2
 - Bit 4 - Se ajusta cuando existe una desconexión térmica de salida 2
 - Bit 3 - Se ajusta cuando existe una desconexión de sobrecorriente de salida 2
 - Bit 2 - Se ajusta cuando existe una desconexión de sobrevoltaje de salida 2
 - Bit 1 - Se ajusta cuando la salida 2 entra en el límite de corriente (modo de corriente constante)
 - Bit 0 - Se ajusta cuando la salida 2 entra en el límite de voltaje (modo de voltaje constante)

Registro de byte de estado (Status Byte Register) y Registro de activación de solicitud de servicio (Service Request Enable Register)

Estos dos registros están implementados tal y como requiere la norma IEEE Std. 488.2. Todos los bits configurados en el Status Byte Register que correspondan a bits configurados en el Service Request Enable Register harán que el bit RQS/MSS se configure en el Status Byte Register, generando así un Service Request en el bus.

El Status Byte Register es leído, bien por el comando *STB?, que devolverá un MSS en el bit 6, o por un Serial Poll que devolverá un RQS en el bit 6. El Service Request Enable Register es configurado por el comando *SRE <nrf> y leído por el comando *SRE?.

- Bit 7 - No se usa.
- Bit 6 - RQS/MSS. Este bit, tal como lo define el IEEE Std. 488.2, contiene el mensaje Requesting Service y el mensaje Master Status Summary. Se manda un RQS en respuesta a Serial Poll y un MSS en respuesta al comando *STB?.
- Bit 5 - ESB. El Event Status Bit. Este bit se configura si alguno de los bits configurados en el Standard Event Status Register corresponde a los bits configurados en el Standard Event Status Enable Register.
- Bit 4 - MAV. El Message Available Bit. Se configurará cuando el instrumento tenga un mensaje de respuesta formateado y listo para mandar al controlador. El bit se borrará después de que se haya mandado el Response Message Terminator.
- Bit 3 - No se usa.
- Bit 2 - No se usa.
- Bit 1 - LIM2. Se ajustará si está ajustado algún bit en Limit Event Status Register 2 y se ajustan los bits correspondientes en Limit Event Status Enable Register 2.
- Bit 0 - LIM1. Se ajustará si está ajustado algún bit en Limit Event Status Register 1 y se ajustan los bits correspondientes en Limit Event Status Enable Register 1.



Modelo de estado

Configuraciones de Encendido

Los siguientes valores de estado del instrumento se configuran al encenderse:

| | |
|---|---------------------|
| Status Byte Register | = 0 |
| Service Request Enable Register † | = 0 |
| Standard Event Status Register | = 128 (pon bit set) |
| Standard Event Status Enable Register † | = 0 |
| Execution Error Register | = 0 |
| Query Error Register | = 0 |
| Parallel Poll Enable Register † | = 0 |

† Los registros marcados con este símbolo son específicos de la función GPIB del instrumento y tienen un uso limitado en un entorno RS232.

El instrumento estará en el estado local con el teclado activo.

Los parámetros del instrumento en el encendido son los mismos que la última vez que se apagó, con la excepción del estado de salida. De forma predeterminada, siempre está apagado en el encendido, aunque el usuario puede cambiarlo para que sea el mismo en el encendido que en el apagado.

Comandos Remotos

Formato de los Comandos Remotos de RS232

La entrada en serie al instrumento es almacenada en una memoria intermedia en una cola de entrada de 256 bytes, que se llena, bajo interrupción, de manera transparente para todas las demás operaciones del instrumento. El instrumento mandará un XOFF cuando en la cola haya aproximadamente 200 caracteres. Se mandará un XON cuando haya unos 100 espacios libres en la cola después del XOFF. Esta cola contiene datos sin procesar (sin analizar) que el analizador sintáctico toma cuando resulta necesario. Los comandos (y consultas) se ejecutan en orden y el analizador sintáctico no iniciará un nuevo comando hasta que se haya completado el comando o la consulta previa. En el modo RS232 no direccionable, las respuestas a los comandos o consultas se mandan inmediatamente; no hay cola de salida. En el modo direccionable, el formateador de respuestas esperará, indefinidamente si es necesario, hasta que el instrumento sea direccionado a hablar y se haya mandado el mensaje de respuesta completo, antes de que al analizador sintáctico se le permita iniciar el siguiente comando en la cola de entrada.

Los comandos se deben mandar tal y como se especifica en la lista de comandos y deben finalizar con el código terminador de comandos 0AH (Line Feed, LF). Los comandos se pueden mandar en grupos, separando los comandos individuales con el código 3BH (;). El grupo debe finalizar con el código terminador de comandos 0AH (Line Feed, LF).

Las respuestas del instrumento al controlador se mandan tal y como se especifica en la lista de comandos. Cada respuesta termina con 0DH (Carriage Return, CR) seguido de 0AH (Line Feed, LF).

<WHITE SPACE> se define como los códigos de carácter de 00H a 20H inclusive, con la excepción de que se especifica que son códigos de control addressable RS232.

De <WHITE SPACE> se hace caso omiso, excepto en los identificadores de comando. Por ejemplo, '*C LS' no equivale a '*CLS'.

Se hace caso omiso del bit alto de todos los caracteres.

Los comandos da igual que se escriban en mayúscula que en minúscula.

Formato de los Comandos Remotos GPIB

La entrada GPIB al instrumento es almacenada en una memoria intermedia en una cola de entrada de 256 bytes, que se llena, bajo interrupción, de manera transparente para todas las demás operaciones del instrumento. Esta cola contiene datos sin procesar (sin analizar) que el analizador sintáctico toma cuando resulta necesario. Los comandos (y consultas) se ejecutan en orden y el analizador sintáctico no iniciará un nuevo comando hasta que se haya completado el comando o la consulta previa. No hay cola de salida, lo que significa que el formateador de respuestas esperará, indefinidamente si es necesario, hasta que el instrumento sea direccionado a hablar y se haya mandado el mensaje de respuesta completo, antes de que al analizador sintáctico se le permita iniciar el siguiente comando en la cola de entrada.

Los comandos se mandan como <PROGRAM MESSAGES> por el controlador, cada mensaje consiste en cero o más elementos de <PROGRAM MESSAGE UNIT> separados por elementos de <PROGRAM MESSAGE UNIT SEPARATOR>.

Un <PROGRAM MESSAGE UNIT> es cualquiera de los comandos en la lista de comandos remotos.

Un <PROGRAM MESSAGE UNIT SEPARATOR> es el punto y coma ';' (3BH).

Los <PROGRAM MESSAGES> están separados por elementos de <PROGRAM MESSAGE TERMINATOR>, los cuales pueden ser cualquiera de los siguientes:

| | |
|--------|---|
| NL | El carácter new line (0AH) |
| NL^END | El carácter new line con el mensaje END |
| ^END | El mensaje END con el último carácter del mensaje |

Las respuestas del instrumento al controlador se mandan como <RESPONSE MESSAGES>. Un <RESPONSE MESSAGE> consiste en una <RESPONSE MESSAGE UNIT> seguida de un <RESPONSE MESSAGE TERMINATOR>.

Un <RESPONSE MESSAGE TERMINATOR> es el carácter new line con el mensaje END NL^END.

Cada consulta genera un <RESPONSE MESSAGE> específico que aparece junto con el comando en la lista de comandos remotos.

De <WHITE SPACE> se hace caso omiso, excepto en los identificadores de comando. Por ejemplo, '*C LS' no equivale a '*CLS'. <WHITE SPACE> se define como los códigos de carácter de 00H a 20H inclusive, con la excepción del carácter NL (0AH).

Se hace caso omiso del bit alto de todos los caracteres.

Los comandos da igual que se escriban en mayúscula que en minúscula.

Lista de Comandos

En este apartado se proporciona una lista de todos los comandos y todas las consultas implementadas en este instrumento. Los comandos se relacionan en orden alfabético dentro de los grupos de función.

Fíjese que no hay parámetros dependientes, parámetros asociados, comandos solapados, elementos de datos de expresión del programa ni comandos compuestos de encabezamiento de programa; cada comando se ejecuta por completo antes de iniciarse el siguiente. Todos los comandos son secuenciales y, en todos los casos, el mensaje de operación terminada se genera inmediatamente tras la ejecución.

Se utiliza la siguiente nomenclatura:

- <rmt> <RESPONSE MESSAGE TERMINATOR>
- <nrf> Un número en cualquier formato, p. ej. 12; 12,00; 1,2 e1 y 120 e-1 se aceptan todos como el número 12. Cuando se reciben, todos los números se convierten a la precisión requerida de acuerdo con su uso y después se redondean para obtener el valor del comando.
- <nr1> Un número sin partes fraccionarias, es decir, un número entero.
- <nr2> Un número en formato de coma fija ej.: 11,52; 0,78 etc.
- <n> El número de la salida o el registro de estado que corresponde al comando.
Tenga en cuenta que <n>= 3 se refiere a la Salida auxiliar.

Los comandos que empiezan con un * son los que la norma IEEE 488.2 especifica como comandos comunes. Todos funcionarán cuando se utilicen en la interfaz RS232, pero algunos servirán de muy poco.

Comandos específicos del instrumento

En los comandos con verificación ('Verify'), el mensaje Operation Complete (Operación terminada) se genera cuando el parámetro que se ajusta alcanza el valor necesario dentro del $\pm 5\%$ o ± 10 recuentos, sea cual sea el mayor. Si el valor no se ajusta dentro de estos límites antes de 5 segundos, el bit Verify Timeout (bit 0 - 3) se ajusta en el Standard Event Status Register y el mensaje Operation Complete no se generará.

Cuando el suministro se realiza en el modo LINK, los comando que ajustan valores y regímenes se aplican a las salidas 1 y 2 simultáneamente, con independencia de si <n> está ajustado en 1 o 2. Cuando el comando requiere verificación, ésta se obtendrá de las salidas antes de la finalización del comando. Además, los comandos SAV<n> and RCL<n> operan en memoria no volátil, reservada para configuraciones de modo con enlace, y <n> se puede ajustar en 1 o 2 con el mismo efecto. Sin embargo, tenga en cuenta que <n> forma parte del encabezamiento del comando y debe incluirse.

| | |
|------------------|---|
| V<n> <nrf> | ajusta la salida <n> a <nrf> Voltios |
| V<n>V <nrf> | ajusta la salida <n> a <nrf> Voltios con verificación |
| OVP<n> <nrf> | ajusta el punto de desconexión de protección de sobrevoltaje de la salida a <nrf> Voltios |
| I<n> <nrf> | ajusta el límite de corriente <n> a <nrf> Amperios |
| OCP<n> <nrf> | ajusta el punto de desconexión de protección de sobrecorriente de la salida a <nrf> Amperios |
| V<n>? | devuelve el voltaje ajustado de la salida <n> – la respuesta es V <n> <nr2><rmt> donde <nr2> está en voltios. |
| I<n>? | devuelve el límite de corriente ajustado de la salida <n> – la respuesta es I <n> <nr2><rmt> donde <nr2> está en amperios |
| OVP<n>? | devuelve el ajuste de desconexión de voltaje de la salida <n> – la respuesta es VP<n> <nr2><rmt> donde <nr2> está en voltios |
| OCP<n>? | devuelve el ajuste de desconexión de corriente de la salida <n> – la respuesta es IP<n> <nr2><rmt> donde <nr2> está en amperios |
| V<n>O? | devuelve el voltaje de relectura de salida de la salida <n> – la respuesta es <nr2>V<rmt> donde <nr2> está en voltios |
| I<n>O? | devuelve la corriente de relectura de salida de la salida <n> – la respuesta es <nr2>A<rmt> donde <nr2> está en Amperios |
| RANGE<n> <nrf> | ajusta el régimen de voltaje de la salida <n> a <nrf> donde <nrf> tiene el siguiente significado: 0=15V(5A), 1=35V(3A), 2=35V(500mA) |
| RANGE<n>? | devuelve el régimen de voltaje ajustado de la salida <n> – la respuesta es R<n> <nr1><rmt> donde <nr1> tiene el siguiente significado: 0=15V(5A), 1=35V(3A), 2=35V(500mA) |
| DELTA V<n> <nrf> | ajusta el intervalo del voltaje de salida a <nrf> voltios |
| DELTA I<n> <nrf> | ajusta el intervalo de la corriente de salida a <nrf> Amperios |
| DELTA V<n>? | devuelve el intervalo del voltaje de salida <n> – la respuesta es DELTA V<n> <nr2><rmt> donde <nr2> está en voltios. |
| DELTA I<n>? | devuelve el intervalo de la corriente de salida <n> – la respuesta es DELTA I<n> <nr2><rmt> donde <nr2> está en Amperios. |
| INCV<n> | aumenta el voltaje de salida <n> por el intervalo ajustado para la salida <n> |
| INCV<n>V | aumenta con confirmación el voltaje de salida <n> por el intervalo ajustado para la salida <n> |
| DECV<n> | disminuye el voltaje de salida <n> por el intervalo ajustado para la salida <n> |
| DECV<n>V | disminuye con confirmación el voltaje de salida <n> por el intervalo ajustado para la salida <n> |
| INCI<n> | aumenta el límite de corriente de salida <n> por el intervalo ajustado para la salida <n> |
| DECI<n> | disminuye el límite de corriente de salida <n> por el intervalo ajustado para la salida <n> |

| | |
|------------------|---|
| OP<n> <nrf> | <p>activa/desactiva la salida <n> donde <nrf> tiene el siguiente significado: 0=DESACTIVADA, 1=ACTIVADA ajusta <n> en 3 para controlar la salida auxiliar</p> |
| OPALL <nrf> | <p>Activa/Desactiva simultáneamente todas las salidas, y <nrf> tiene el siguiente significado: 0=Todas DESACTIVADAS, 1=TODAS ACTIVADAS. Si OPALL ACTIVA Si OPALL DESACTIVA todas las salidas, entonces todas las que ya estaban desactivadas seguirán así.</p> |
| SENSE<n> <nrf> | <p>ajusta el modo de dirección <n> donde <nrf> tiene el siguiente significado: 0=local, 1=remoto</p> |
| MODE <nrf> | <p>ajusta el modo de funcionamiento del instrumento en LINK o asigna el control a la salida 1 ó 2 <nrf> tiene el siguiente significado: 0 = con enlace, 1 = asigna el control a la salida 1, 2 = asigna el control a la salida 2. Ajustar el modo con enlace afecta de forma excepcional la forma en la que el instrumento responde a algunos comandos remotos. Al asignar el control a las salidas 1 o 2 se sale del modo con enlace, pero no tiene otro efecto hasta que el instrumento se ajusta de nuevo el funcionamiento local en el instrumento. Todos los modos de funcionamiento ajustados en el funcionamiento remoto se mantendrán cuando se ajusta de nuevo el funcionamiento local en el instrumento.</p> |
| MODE? | <p>devuelve el modo de funcionamiento actual – la respuesta es LINKED (CON ENLACE) o CTRL<n> (control asignado a la salida <n>)</p> |
| TRIPRST LOCAL | <p>intenta borrar todas las condiciones de desconexión de todas las salidas va a local</p> |
| LSR<n>? | <p>interroga y borra LSR<n>, limit status register <n> – la respuesta es <nr1><rmt></p> |
| LSE<n> <nrf> | <p>ajusta el valor de LSE<n>, limit status enable register <n>, en <nrf></p> |
| LSE<n>? | <p>devuelve el valor de LSE<n>, limit status enable register <n> – la respuesta es <nr1><rmt></p> |
| SAV<n> <nrf> | <p>guarda la configuración de corriente de PSU<n> en el almacén de configuración especificado por <nrf> donde <nrf> puede ser 0-9 Si el instrumento funciona en el modo con enlace, entonces toda la configuración del instrumento se guardará en el almacén de configuración del modo con enlace especificado por <nrf>. La especificación <n> se ignora. Esto no tiene efecto en los almacenes de configuración individuales PSU<n> disponibles cuando no está en el modo con enlace.</p> |
| RCL<n> <nrf> | <p>devuelve una configuración para PSU <n> del almacén de configuración especificado por <nrf> donde <nrf> puede ser 0-9 Si el instrumento funciona en el modo con enlace, entonces toda la configuración del instrumento se recuperará del almacén de configuración del modo con enlace especificado por <nrf>. La especificación <n> se ignora.</p> |

Comandos de sistema y estado

| | |
|------------|--|
| *RST | Reajusta el instrumento a los valores predeterminados de fábrica – (véase la sección Ajustes predeterminados de fábrica) con excepción de todos los ajustes de interfaz remota. |
| EER? | Consulta y borra el Execution Error Register. El formato de respuesta es nr1<rmt>. |
| QER? | Consulta y borra el Query Error Register. El formato de respuesta es 1<rmt> |
| *CLS | Clear Status. Borra el Standard Event Status Register, el Query Error Register y el Execution Error Register. Lo que de manera indirecta borra el Status Byte Register. |
| *ESE <nrf> | Configura el Standard Event Status Enable Register al valor de <nrf>. |
| *ESE? | Devuelve el valor del Standard Event Status Enable Register en formato numérico <nr1>. La sintaxis de la respuesta es <nr1><rmt> |
| *ESR? | Devuelve el valor del Standard Event Status Register en formato numérico <nr1>. Después el registro se borra. La sintaxis de la respuesta es <nr1><rmt> |
| *IST? | Devuelve el mensaje ist según viene definido por la norma IEEE Std. 488.2. La sintaxis de la respuesta es 0<rmt>, si el mensaje local es falso, o 1<rmt>, si el mensaje local es verdadero. |
| *OPC | Configura el bit de Operation Complete (bit 0) en el Standard Event Status Register. Esto sucederá nada más se ejecute el comando dada la naturaleza secuencial de todas las operaciones. |
| *OPC? | Consulta el estado de Operation Complete. La sintaxis de la respuesta es 1<rmt>. La respuesta estará disponible nada más se ejecute el comando dada la naturaleza secuencial de todas las operaciones. |
| *PRE<nrf> | Configura el Parallel Poll Enable Register al valor <nrf>. |
| *PRE? | Devuelve el valor del Parallel Poll Enable Register en el formato numérico <nr1>. La sintaxis de la respuesta es <nr1><rmt> |
| *SRE<vrφ> | Configura el Service Request Enable Register a <nrf>. |
| *SRE? | Devuelve el valor del Service Request Enable Register en el formato numérico <nr1>. La sintaxis de la respuesta es <nr1><rmt> |
| *STB? | Devuelve el valor del Status Byte Register en formato numérico <nr1>. La sintaxis de la respuesta es <nr1><rmt> |
| *WAI | Espera a que Operation Complete sea verdadera. Cuando todos los comandos se ejecutan totalmente antes de que se inicie el siguiente, este comando no precisa de acción adicional. |

Comandos Varios

| | |
|----------|---|
| *IDN? | Devuelve la identificación del instrumento. La respuesta exacta se determina por la configuración del instrumento y tiene la forma <NAME>,<model>, 0, <version><rmt> en donde <NAME> es el nombre del fabricante, <model> el tipo de instrumento y <version> el grado de revisión del software instalado. |
| ADDRESS? | Devuelve la dirección de bus del instrumento. La sintaxis de la respuesta es <nr1><rmt>. |
| *TST? | La fuente de alimentación no tiene capacidad de autocomprobación, y la respuesta es siempre 0 <rmt> |
| *TRG | La fuente de alimentación no tiene capacidad de activación. |

Comandos Específicos de Calibración

Ver el Manual de Servicio para más detalles sobre los comandos específicos de calibración.

Mensajes de error

Cada mensaje de error tiene un número; únicamente este número es notificado a través de las interfaces de control remoto. Los números de los mensajes de error no se muestran, sino que se ubican en el Execution Error Register, donde se pueden leer a través de las interfaces remotas. Véase la sección de Notificación de estado.

Mantenimiento

Los fabricantes o sus agentes en el extranjero pueden proporcionar un servicio de reparaciones para las unidades averiadas. En caso de que los propietarios deseen realizar el trabajo de mantenimiento por su cuenta, únicamente lo deberá realizar personal cualificado según el manual de mantenimiento, que se puede adquirir directamente del fabricante o de sus agentes en el extranjero.

Limpieza

En caso de que deba limpiar el instrumento, utilice un paño ligeramente humedecido con agua o con un detergente suave.

ADVERTENCIA - PARA EVITAR DESCARGAS ELÉCTRICAS Y DAÑOS EN EL INSTRUMENTO, NO PERMITA QUE ENTRE AGUA DENTRO DE LA CAJA, Y PARA EVITAR DAÑOS EN LA CAJA NO LA LIMPIE NUNCA CON DISOLVENTE.

Warranty Information

Warranty

What does this warranty cover?

This Limited Warranty is provided by Xantrex Technology, Inc. ("Xantrex") and covers defects in workmanship and materials in your XDL series. This warranty lasts for a Warranty Period of three years (3 years) from the date of purchase at point of sale to you, the original end user customer.

What will Xantrex do?

Xantrex will, at its option, repair or replace the defective product free of charge, provided that you notify Xantrex of the product defect within the Warranty Period, and provided that Xantrex through inspection establishes the existence of such a defect and that it is covered by this Limited Warranty.

Xantrex will, at its option, use new and/or reconditioned parts in performing warranty repair and building replacement products. Xantrex reserves the right to use parts or products of original or improved design in the repair or replacement. If Xantrex repairs or replaces a product, its warranty continues for the remaining portion of the original Warranty Period or 90 days from the date of the return shipment to the customer, whichever is greater. All replaced products and all parts removed from repaired products become the property of Xantrex.

Xantrex covers both parts and labor necessary to repair the product, and return shipment to the customer via a Xantrex-selected non-expedited surface freight within the contiguous United States and Canada. Alaska and Hawaii are excluded. Contact Xantrex Customer Service for details on freight policy for return shipments outside of the contiguous United States and Canada.

How do you get service?

If your product requires troubleshooting or warranty service, contact your merchant. If you are unable to contact your merchant, or the merchant is unable to provide service, contact Xantrex directly at:

Phone: 1-800-670-0707 (toll free),
1-360-925-5097 (direct)

Fax: 1-360-925-5143

Email: Customerservice@xantrex.com

Direct returns may be performed according to the Xantrex Return Material Authorization Policy described in your product manual. For some products, Xantrex maintains a network of regional Authorized Service Centers. Call Xantrex or check our website to see if your product can be repaired at one of these facilities.

In any warranty claim, dated proof of purchase must accompany the product and the product must not have been disassembled or modified without prior written authorization by Xantrex.

Proof of purchase may be in any one of the following forms:

- The dated purchase receipt from the original purchase of the product at point of sale to the end user, or
- The dated dealer invoice or purchase receipt showing original equipment manufacturer (OEM) status, or
- The dated invoice or purchase receipt showing the product exchanged under warranty

What does this warranty not cover?

This Limited Warranty does not cover normal wear and tear of the product or costs related to the removal, installation, or troubleshooting of the customer's electrical systems. This warranty does not apply to and Xantrex will not be responsible for any defect in or damage to:

- a) the product if it has been misused, neglected, improperly installed, physically damaged or altered, either internally or externally, or damaged from improper use or use in an unsuitable environment;
- b) the product if it has been subjected to fire, water, generalized corrosion, biological infestations, or input voltage that creates operating conditions beyond the maximum or minimum limits listed in the Xantrex product specifications including high input voltage from generators and lightning strikes;
- c) the product if repairs have been done to it other than by Xantrex or its authorized service centers (hereafter "ASCs");
- d) the product if it is used as a component part of a product expressly warranted by another manufacturer;
- e) the product if its original identification (trade-mark, serial number) markings have been defaced, altered, or removed.

Disclaimer

Product

THIS LIMITED WARRANTY IS THE SOLE AND EXCLUSIVE WARRANTY PROVIDED BY XANTREX IN CONNECTION WITH YOUR XANTREX PRODUCT AND IS, WHERE PERMITTED BY LAW, IN LIEU OF ALL OTHER WARRANTIES, CONDITIONS, GUARANTEES, REPRESENTATIONS, OBLIGATIONS AND LIABILITIES, EXPRESS OR IMPLIED, STATUTORY OR OTHERWISE IN CONNECTION WITH THE PRODUCT, HOWEVER ARISING (WHETHER BY CONTRACT, TORT, NEGLIGENCE, PRINCIPLES OF MANUFACTURER'S LIABILITY, OPERATION OF LAW, CONDUCT, STATEMENT OR OTHERWISE), INCLUDING WITHOUT RESTRICTION ANY IMPLIED WARRANTY OR CONDITION OF QUALITY, MERCHANTABILITY OR FITNESS FOR A PARTICULAR PURPOSE. ANY IMPLIED WARRANTY OF MERCHANTABILITY OR FITNESS FOR A PARTICULAR PURPOSE TO THE EXTENT REQUIRED UNDER APPLICABLE LAW TO APPLY TO THE PRODUCT SHALL BE LIMITED IN DURATION TO THE PERIOD STIPULATED UNDER THIS LIMITED WARRANTY.

IN NO EVENT WILL XANTREX BE LIABLE FOR ANY SPECIAL, DIRECT, INDIRECT, INCIDENTAL OR CONSEQUENTIAL DAMAGES, LOSSES, COSTS OR EXPENSES HOWEVER ARISING WHETHER IN CONTRACT OR TORT INCLUDING WITHOUT RESTRICTION ANY ECONOMIC LOSSES OF ANY KIND, ANY LOSS OR DAMAGE TO PROPERTY, ANY PERSONAL INJURY, ANY DAMAGE OR INJURY ARISING FROM OR AS A RESULT OF MISUSE OR ABUSE, OR THE INCORRECT INSTALLATION, INTEGRATION OR OPERATION OF THE PRODUCT.

Exclusions

If this product is a consumer product, federal law does not allow an exclusion of implied warranties. To the extent you are entitled to implied warranties under federal law, to the extent permitted by applicable law they are limited to the duration of this Limited Warranty. Some states and provinces do not allow limitations or exclusions on implied warranties or on the duration of an implied warranty or on the limitation or exclusion of incidental or consequential damages, so the above limitation(s) or exclusion(s) may not apply to you. This Limited Warranty gives you specific legal rights. You may have other rights which may vary from state to state or province to province.

Warning: Limitations On Use

Please refer to your product manual for limitations on uses of the product.

SPECIFICALLY, PLEASE NOTE THAT THE XDL SERIES SHOULD NOT BE USED IN CONNECTION WITH LIFE SUPPORT SYSTEMS OR OTHER MEDICAL EQUIPMENT OR DEVICES. WITHOUT LIMITING THE GENERALITY OF THE FOREGOING, XANTREX MAKES NO REPRESENTATIONS OR WARRANTIES REGARDING THE USE OF THE XANTREX XDL SERIES IN CONNECTION WITH LIFE SUPPORT SYSTEMS OR OTHER MEDICAL EQUIPMENT OR DEVICES.

Please note that the XDL series is not intended for use as an uninterruptible power supply and Xantrex makes no warranty or representation in connection with any use of the product for such purposes.

Return Material Authorization Policy

Before returning a product directly to Xantrex you must obtain a Return Material Authorization (RMA) number and the correct factory "Ship To" address. Products must also be shipped prepaid. Product shipments will be refused and returned at your expense if they are unauthorized, returned without an RMA number clearly marked on the outside of the shipping box, if they are shipped collect, or if they are shipped to the wrong location.

When you contact Xantrex to obtain service, please have your instruction manual ready for reference and be prepared to supply:

- The serial number of your product
- Information about the installation and use of the unit
- Information about the failure and/or reason for the return
- A copy of your dated proof of purchase

Return Procedure

1. Package the unit safely, preferably using the original box and packing materials. Please ensure that your product is shipped fully insured in the original packaging or equivalent. This warranty will not apply where the product is damaged due to improper packaging.
2. Include the following:
 - The RMA number supplied by Xantrex Technology, Inc. clearly marked on the outside of the box.
 - A return address where the unit can be shipped. Post office boxes are not acceptable.
 - A contact telephone number where you can be reached during work hours.
 - A brief description of the problem.
3. Ship the unit prepaid to the address provided by your Xantrex customer service representative.

If you are returning a product from outside of the USA or Canada

In addition to the above, you MUST include return freight funds and are fully responsible for all documents, duties, tariffs, and deposits.

If you are returning a product to a Xantrex Authorized Service Center (ASC)

A Xantrex return material authorization (RMA) number is not required. However, you must contact the ASC prior to returning the product or presenting the unit to verify any return procedures that may apply to that particular facility.

Out of Warranty Service

If the warranty period for your XDL series has expired, if the unit was damaged by misuse or incorrect installation, if other conditions of the warranty have not been met, or if no dated proof of purchase is available, your inverter may be serviced or replaced for a flat fee.

To return your XDL series for out of warranty service, contact Xantrex Customer Service for a Return Material Authorization (RMA) number and follow the other steps outlined in Return Procedure on page 178.

Payment options such as credit card or money order will be explained by the Customer Service Representative. In cases where the minimum flat fee does not apply, as with incomplete units or units with excessive damage, an additional fee will be charged. If applicable, you will be contacted by Customer Service once your unit has been received.